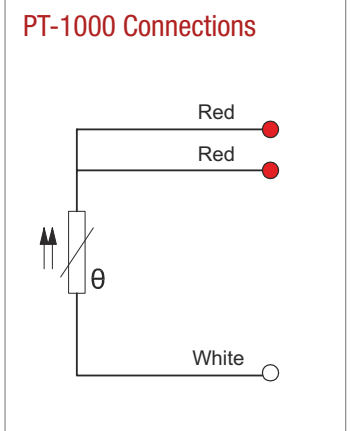
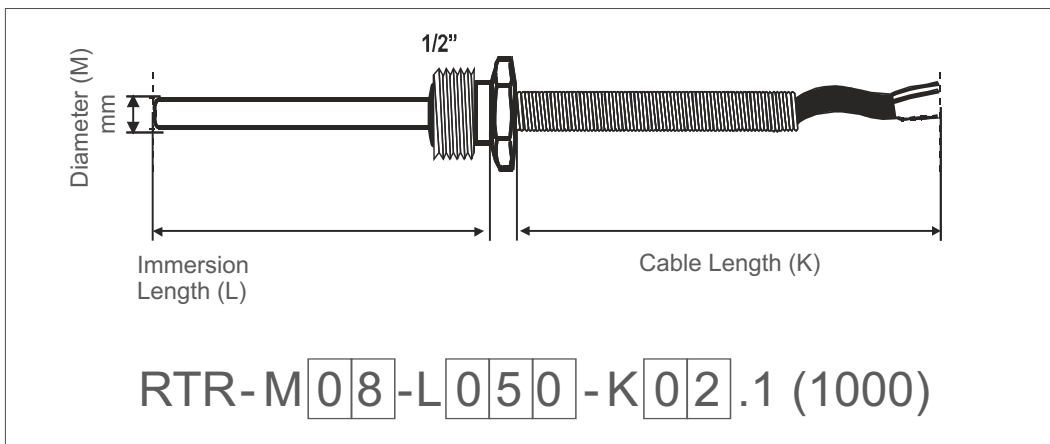


► (RTR) Bayonet Type with fittingnut
RTR-M08-L050-K02.1 (1000)



- Max. operating temperature : -50 °C / +400 °C
- Standard cable types : Fiber glass + fiber glass + braided wire
- Sensor type : DIN/EN 60751 "Class B" 1xPt-1000
- Protection tube material : AIS304 (DIN1.4301) Stainless Steel
- Fittingnut : Standard 1/2"

► Technical drawing



- Diameter (M) : 8 mm
- Immersion Length (L) : 50 mm
- Cable Length (K) : 2 meter