

Type K Miniature Quick Wire Connector Thermocouple



Features

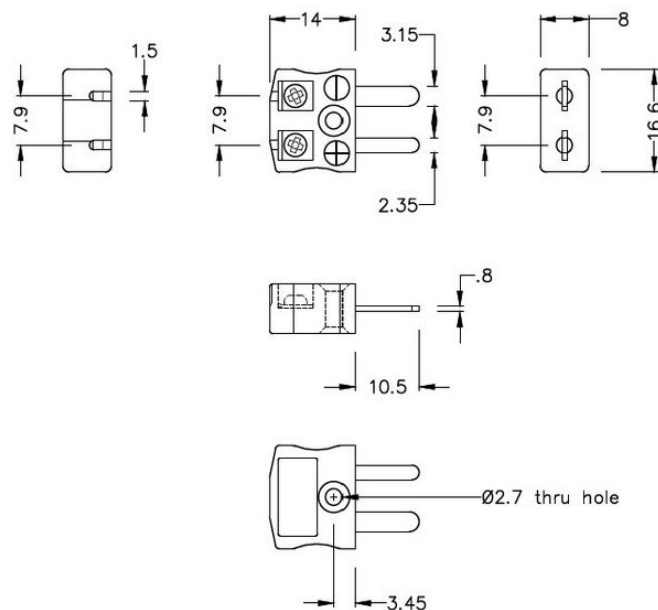
- Miniature connector with flat plug pins
- Easy jab-in connection for rapid termination
- Just push-in wire & tighten screw



Specification

Thermocouple Type	K
Connector Size	Miniature
Connector Type	Quick Wire Plug
Colour	Green
Max. Temperature	220 °C
Pins	Flat Pins
+Positive Contact	Nickel Chromium
-Negative Contact	Nickel Alloy
Standards Met	BS EN 50212:1997. RoHS

Drawing



Miniature in-line Plug - Quick Wire
(dimensions in mm)

Art. Nr.
RND 410-00071