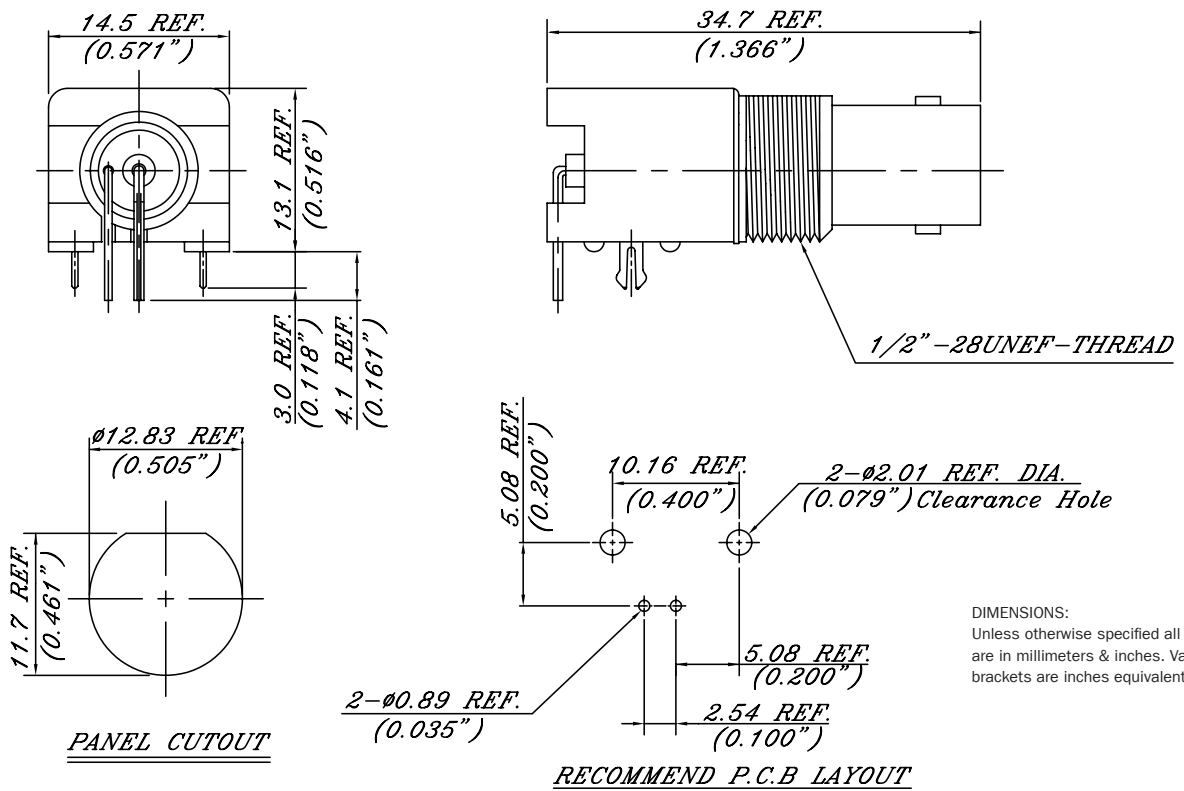


## Specifications:

Description	Material
Conn. body	Nickel plating over zinc alloy
Centre contact	Phosphours bronze with gold plating at contact area tin plating at tail
Insulator	Polypropylene
Housing	PBT
Mounting post	Tin plating over brass
Grounding terminal	Tin plating over strip copper



DIMENSIONS:  
Unless otherwise specified all dimensions are in millimeters & inches. Values in brackets are inches equivalents

### Mechanical:

Mating/unmating: 500 cycles

### Electrical:

Normal impedance: 50 Ohms  
 Frequency range: 0-1 GHz  
 Operating voltage: 500V RMS  
 Contact resistance: 3.0 milliohms max. (gold)  
 Dielectric withstanding voltage: 1500V RMS  
 Insulation resistance - 5000 megaohms min.

### Environmental :

Temperature Range : -65°C to 165°C  
 Thermal Shock : MIL-STD-202, Method 107, Cond. B  
 Physical : MIL-STD-202, Method 213, Cond. B