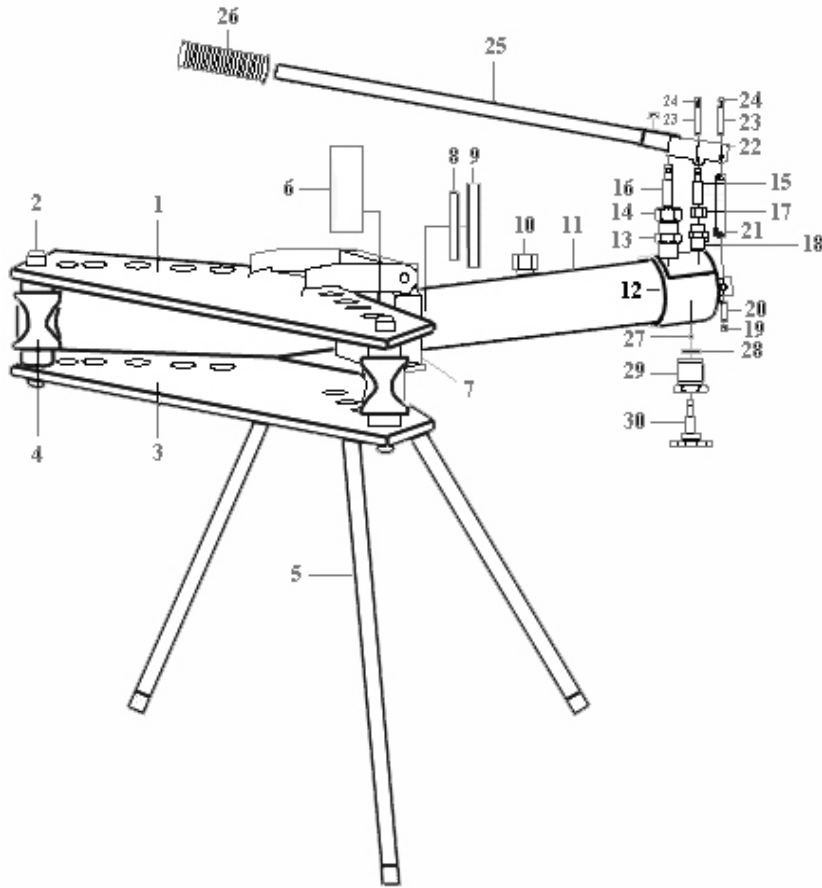




Parts Information:
**Industrial Hydraulic Pipe Bender with
 Stand 15tonne
 Model No: PBS91.V4**



Item	Part No.	Description
1	PBS91.V4-01	UPPER PLATE
2	PBS91.V4-02	PIN
3	PBS91.V4-03	LOWER PLATE
4	PBS91.V4-04	SUPPORTING ROLLER
5	PBS91.V4-05	STAND (SINGLE LEG)
6	PBS91.V4-06	BENDING DIE
7	PBS91.V4-07	PUMP BLOCK
8	PBS91.V4-08	SHAFT NUT (SMALL)
9	PBS91.V4-09	SHAFT NUT (LARGE)
10	PBS91.V4-10	OIL FILLER NUT
11	PBS91.V4-11	CYLINDER
12	PBS91.V4-12	CYLINDER END COVER
13	PBS91.V4-13	OIL PUMP CORE
14	PBS91.V4-14	PUMP NUT (LARGE, DEEP)
15	PBS91.V4-15	PUMP PISTON PIN (SMALL)
15	PBS91.V4-16	PUMP PISTON PIN (LARGE)
15	PBS91.V4-17	PUMP NUT (SMALL) DEEP
18	PBS91.V4-18	OIL PUMP CORE
19	PBS91.V4-19	COTTER PIN (1.3mm x 1.5mm)
20	PBS91.V4-20	PIN

Item	Part No.	Description
21	PBS91.V4-21	HANDLE SOCKET CONNECTOR
22	PBS91.V4-22	HANDLE SOCKET
23	PBS91.V4-23	PIVOT PIN
24	PBS91.V4-24	COTTER PIN (1.5mm x 20mm)
25	PBS91.V4-25	HANDLE
26	PBS91.V4-26	HANDLE GRIP
27	SB-8.0	STEEL BALL 8.0mm
28	PBS91.V4-28	O-RING
29	PBS91.V4-29	PLUG SCREW
30	PBS91.V4-30	RELEASE VALVE
--	PBS90.V2-31	BENDING DIE 1/2" (NOT SHOWN)
--	PBS90.V2-32	BENDING DIE 3/4" (NOT SHOWN)
--	PBS90.V2-33	BENDING DIE 1" (NOT SHOWN)
--	PBS90.V2-34	BENDING DIE 1-1/4" (NOT SHOWN)
--	PBS90.V2-35	BENDING DIE 1-1/2" (NOT SHOWN)
--	PBS90.V2-36	BENDING DIE 2" (NOT SHOWN)
--	PBS91.V4-37	BENDING DIE 2-1/2" (NOT SHOWN)
--	PBS91.V4-38	BENDING DIE 3" (NOT SHOWN)
--	PBS91.V4-31	FILTER SCREEN SEAT (NOT SHOWN)
--	PBS91.V4-RK	REPAIR KIT (NOT SHOWN)

NOTE: It is our policy to continually improve products and as such we reserve the right to alter data, specifications and component parts without prior notice.

IMPORTANT: No liability is accepted for incorrect use of product.

WARRANTY: Guarantee is 12 months from purchase date, proof of which will be required for any claim.

Sealey Group, Kempson Way, Suffolk Business Park, Bury St Edmunds, Suffolk. IP32 7AR



01284 757500



01284 703534



sales@sealey.co.uk



www.sealey.co.uk