

Features:

- Line Interactive Technology with AVR
- Cold Start Feature
- Inbuilt Protection for Modem & Telephone
- Automatic Start
- LCD Display
- USB Connectivity
- Intelligent Shutdown and Monitoring Software



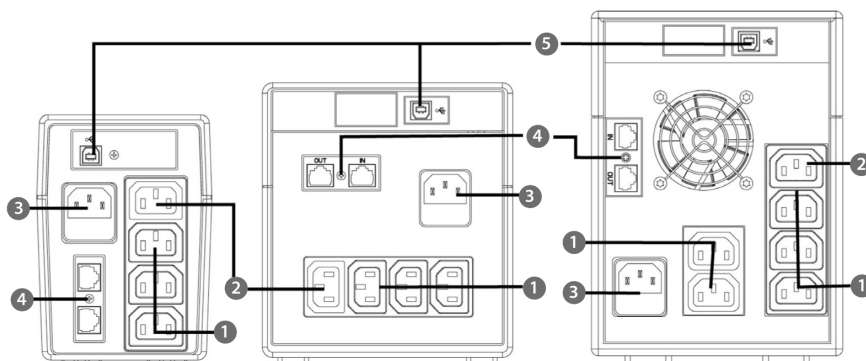
Output Characteristics

Part Number	CRT60-800	CRT60-1000	CRT60-1500	CRT60-2000
Power (VA) Max	800	1000	1500	2000
Power (Watts)	480	600	900	1200
Input Voltage	220/ 230/ 240 VAC			
Input Voltage Window	162 - 290 VAC			
Input Frequency	50/60Hz (Auto Sensing)			
Output Voltage Regulation	+/-10% (Battery Mode)			
Output Frequency Regulation	+/- 1Hz (Battery Mode)			
Output Transfer Time	10mS MAX			
Output Waveform	Simulated Sinewave (Battery Mode)			
Protections	Overload, Battery Discharge, Overcharge			
LCD Display	AC Mode, Battery Mode, Load Level, Battery Level, Input Voltage, Output Voltage, Overload, Fault & Battery Low			
Runtime	3 minutes	4 minutes	3 minutes	2 minutes
Charging Time	4-6 hours recovery to 90%			
Dimensions (WxDxH) mm	100 x 285 x 142	146 x 350 x 160	146 x 397 x 205	
Net Weight (KG)	4.9	8	11.1	11.5
Battery Protected Outputs	3	3	5	5
Surge Protected Outputs	1	1	1	1
Operating Temperature	0°C to 40°C			
Humidity	0-90% Relative Humidity (Non Condensing)			
Connection	USB Connectivity			
Operating System Support	Windows 2000/2003/XP/Vista/2008/7/8/10/Linux/Unix and MAC			

Rear view of B60-800

Rear view of B60-1000

Rear view of B60-1500/2000



- ① Battery Backup Outlets
- ② Surge Protected Outlets
- ③ AC Input
- ④ Modem/Phone Line/Network Surge Protection
- ⑤ USB Communication Ports

Stontronics Ltd

Chancerygate Business Centre, Cradock Road, Reading, Berkshire, RG2 0AH.

Tel: +44 (0) 118 931 1199 • Fax: +44 (0) 118 931 1145 • Email: info@stontronics.co.uk • Web: www.stontronics.com

Please Note: Image shown is representative of entire range. Individual PSU image &/or drawings or data sheets available on request.

Stontronics Ltd accepts no responsibility for typographical errors in the production of this leaflet. Product specifications are subject to change without notice.

