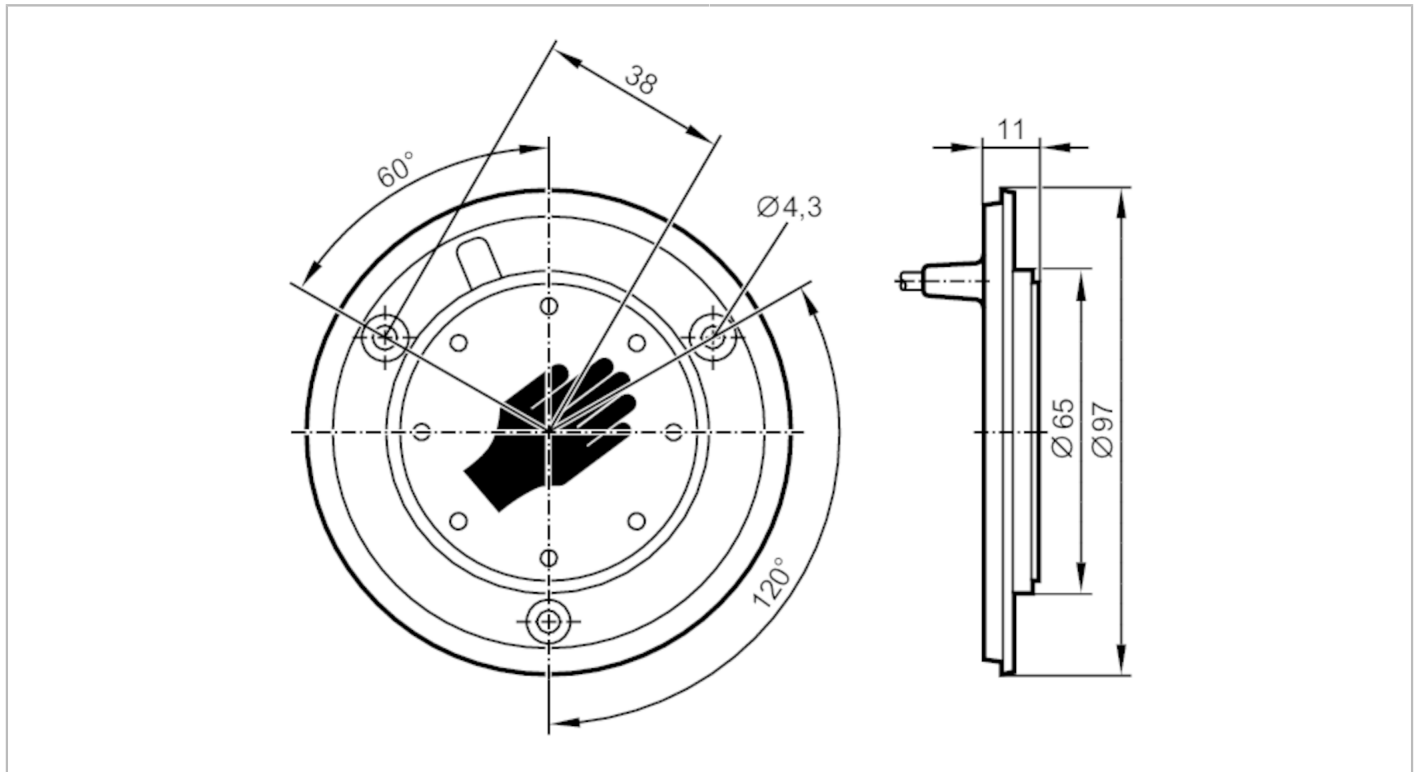


KT5012



Capacitive touch sensor

KTRSHOK-RBPKG/AM/2M



Product characteristics

Electrical design		PNP
Output function		normally open
Dimensions	[mm]	Ø 96.9 / L = 11

Application

Operating principle		static
---------------------	--	--------

Electrical data

Operating voltage	[V]	12...30 DC
Current consumption	[mA]	30
Protection class		III
Reverse polarity protection		yes
Max. power-on delay time	[ms]	500

Outputs

Electrical design		PNP
Output function		normally open
Permanent current rating of switching output DC	[mA]	200
Short-circuit protection		yes
Overload protection		yes

Response times

Response time	[ms]	35
---------------	------	----

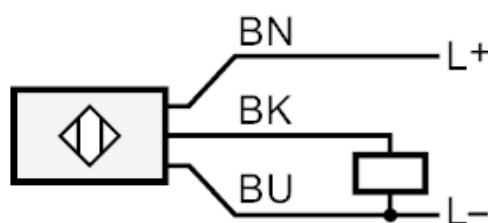
KT5012



Capacitive touch sensor

KTRSHOK-RBPKG/AM/2M

Operating conditions		
Ambient temperature	[°C]	-40...85
Protection		IP 67; IP 69K; (on the front)
Tests / approvals		
MTTF	[years]	490.4
Mechanical data		
Weight	[g]	141.5
Dimensions	[mm]	Ø 96.9 / L = 11
Materials		active face: PA Grilamid TR 90UV transparent; housing: PC/ABS black
Displays / operating elements		
Display	switching status	8 x LED, red
	operation	8 x LED, green
Accessories		
Accessories (optional)		surround in different colours
Remarks		
Pack quantity		1 pcs.
Electrical connection		
Cable: 2 m, PUR		
Connection		



Core colours :

BK = black
BN = brown
BU = blue