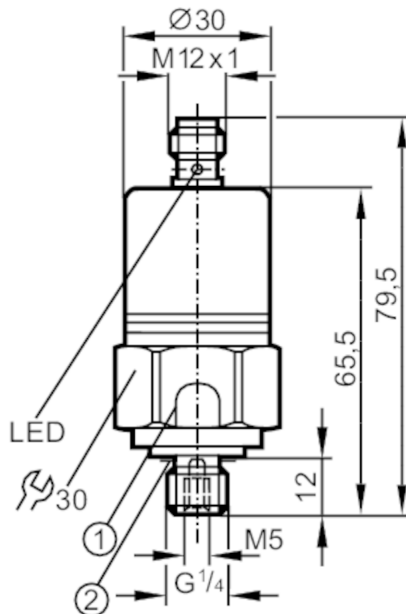


PP0521



Pressure switch with ceramic measuring cell

PP-250-SBG14-QFNKG/US/ IV



- 1 pressure relief mechanism
No mechanical force must be exerted on the pressure relief mechanism.
- 2 Sealing



Product characteristics

Output signal	switching signal		
Measuring range	0...250 bar	0...3625 psi	0...25 MPa
Process connection	threaded connection G 1/4 external thread internal thread M5		

Application

Application	for industrial applications		
Media	liquids and gases		
Conditionally suitable for	use in gases at pressures > 25 bar only on request		
Medium temperature [°C]	-25...90		
Pressure rating	400 bar	5800 psi	40 MPa
Min. bursting pressure	850 bar	12300 psi	85 MPa
Type of pressure	relative pressure		

Electrical data

Operating voltage [V]	9.6...36 DC; (communication mode: 18...32)		
Current consumption [mA]	< 45		
Min. insulation resistance [MΩ]	100; (500 V DC)		
Protection class	III		
Reverse polarity protection	yes		
Power-on delay time [s]	0.3		

Inputs / outputs

Number of inputs and outputs	Number of digital outputs: 2
------------------------------	------------------------------



Pressure switch with ceramic measuring cell

PP-250-SBG14-QFNKG/US/ IV

Outputs			
Total number of outputs		2	
Output signal		switching signal	
Electrical design		NPN	
Number of digital outputs		2	
Output function		normally open / normally closed; (parameterisable)	
Max. voltage drop switching output DC	[V]	2	
Permanent current rating of switching output DC	[mA]	250	
Switching frequency DC	[Hz]	170	
Short-circuit protection		yes	
Type of short-circuit protection		pulsed	
Overload protection		yes	
Measuring/setting range			
Measuring range		0...250 bar	0...3625 psi 0...25 MPa
Set point SP		2...250 bar	40...3620 psi 0.2...25 MPa
Reset point rP		1...249 bar	20...3600 psi 0.1...24.9 MPa
In steps of		1 bar	20 psi 0.1 MPa
Factory setting			SP1 = 63 bar rP1 = 58 bar
			SP2 = 188 bar rP2 = 183 bar
			OUT1 = Hno OUT2 = Hno
Accuracy / deviations			
Switch point accuracy		< ± 0,5	
	[% of the span]		
Repeatability		< ± 0,1; (with temperature fluctuations < 10 K)	
	[% of the span]		
Characteristics deviation		< ± 0,25 (BFSL) / < ± 0,5 (LS); (BFSL = Best Fit Straight Line; LS = limit value setting)	
	[% of the span]		
Hysteresis deviation		< ± 0,1	
	[% of the span]		
Long-term stability		< ± 0,1; (per year)	
	[% of the span]		
Temperature coefficient zero point		0,2; (0...80 °C)	
	[% of the span / 10 K]		
Temperature coefficient span		0,2; (0...80 °C)	
	[% of the span / 10 K]		
Response times			
Response time	[ms]	< 3	
Damping for the switching output dAP in steps	[s]	0,003 - 0,006 - 0,010 - 0,017 - 0,060 - 0,125 - 0,250 - 0,500	
Operating conditions			
Ambient temperature	[°C]	-25...85	
Storage temperature	[°C]	-40...100	
Protection		IP 68; (7 days / 1 m water depth / 0.1 bar)	

PP0521



Pressure switch with ceramic measuring cell

PP-250-SBG14-QFNKG/US/ IV

Tests / approvals		
EMC	immunity	EN 61000-6-2
	EN 61000-4-2 ESD	4 kV contact discharge / 15 kV air discharge
	EN 61000-4-3 HF radiated	20 V/m
	EN 61000-4-4 Burst	4 kV coupling clamp
	EN 61000-4-5 Surge	0,5 kV supply / 1 kV signal for DC units
	EN 61000-4-6 HF conducted	30 V
Shock resistance	DIN IEC 60068-2-27 / DIN IEC 60068-2-29	1000 g
	DIN EN 61373	category 3
Vibration resistance	DIN IEC 68-2-6	20 g (10...2000 Hz)
	DIN EN 60068-2-64	14 g
	DIN EN 61373	category 2
MTTF	[years]	309
UL approval	UL Approval no.	J010
Pressure Equipment Directive	Sound engineering practice; can be used for group 2 fluids; group 1 fluids on request	

Mechanical data		
Weight	[g]	226
Materials	stainless steel (1.4301 / 304); FKM; EPDM/X; PA	
Materials (wetted parts)	stainless steel (1.4305 / 303); ceramics; FKM	
Min. pressure cycles	100 million	
Process connection	threaded connection G 1/4 external thread internal thread M5	
Restrictor element integrated	no (can be retrofitted)	

Displays / operating elements		
Display	operation	2 x LED, green
	switching status	2 x LED, yellow
Teach function	yes	

Remarks		
Pack quantity	1 pcs.	

Electrical connection

Connector: 1 x M12



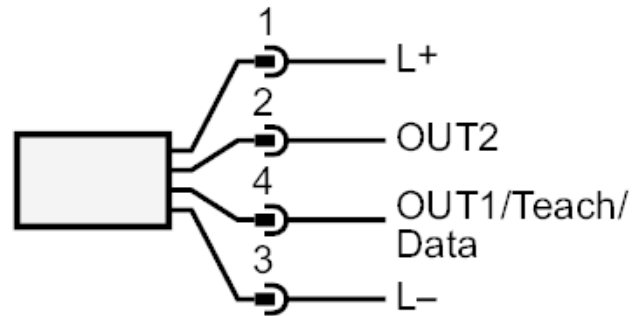
PP0521



Pressure switch with ceramic measuring cell

PP-250-SBG14-QFNKG/US/ IV

Connection



OUT1	switching output
OUT2	switching output
	Diagnostic output