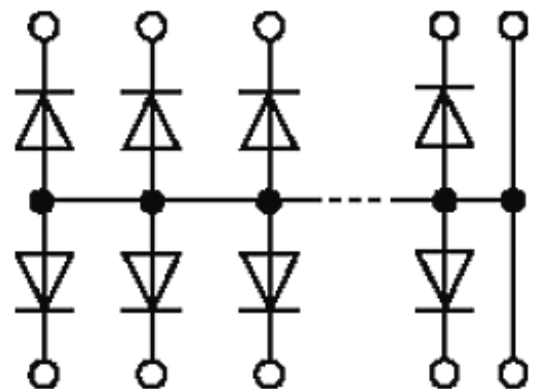


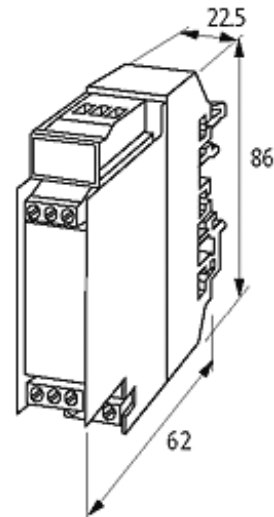
**MKS - D 10/1300-1 M DIODE MODULES**

Mounting rail / screw-type terminal

10 diodes

Common potential anode

[Link to Product](#)**Illustration**



Product may differ from Image

### Technical Data

Operating voltage max. 48 V AC/DC

### General data

Connection Screw terminals: max. 4 mm<sup>2</sup>

Mounting method DIN-rail mountable TH35 or G32 (EN 60715)

Temperature range -20...+60 °C

Dimensions H × W × D 86×22.5×62 mm

### Description

Functional description Diode modules are suitable for the suppression of inductive loads (valve, contactor, etc.)

### Commercial data

country of origin CZ

customs tariff number 85411000

minimum order quantity 1