



ACTUATOR HEAD FOR POSITION SWITCH 3SE51  
 ROLLER PLUNGER WITH 3MM OVERTRAVEL,  
 STAINLESS STEEL ROLLER 13MM, FUNCTIONAL AT  
 -40 DEGREES

Product designation	actuator head for position switch
---------------------	-----------------------------------

**General technical data:**

<b>Product function</b>		Yes
• positive opening		
<b>Shock resistance</b>		30g / 11 ms
<b>Vibration resistance</b>		0.35 mm / 5g
<b>Mechanical service life (switching cycles)</b>		15 000 000
• typical		
<b>Material of the enclosure of the switch head</b>		metal
<b>Equipment marking</b>		T
• acc. to DIN EN 61346-2		
• acc. to DIN EN 81346-2		T
<b>Active principle</b>		mechanical
Explosion protection category for dust		none
Explosion protection category for gas		none
Minimum actuating force in activation direction	N	20

**Enclosure:**

<b>Coating of the enclosure</b>	Other types
---------------------------------	-------------

**Drive Head:**

<b>Design of the operating mechanism</b>		Stainless steel roller
<b>Standard-compliant actuator head</b>		EN 50041, design C
<b>Shape of the switch head</b>		roller
<b>Outer diameter of the switch head</b>	mm	13

**Communication/ Protocol:**

Design of the interface		without
-------------------------	--	---------





#### Ambient conditions:

<b>Ambient temperature</b>		
• during operation	°C	-40 ... +85
• during storage	°C	-40 ... +90

#### Installation/ mounting/ dimensions:

mounting position		any
Mounting type		lockable plug-in fixing

#### Certificates/ approvals:

General Product Approval	Declaration of Conformity	Test Certificates	other
 CSA	 UL	 EAC	 EG-Konf.
		<a href="#">Special Test Certificate</a>	<a href="#">Confirmation</a>

#### other

[Vibration Test Certificates](#)

#### Further information

##### Information- and Downloadcenter (Catalogs, Brochures,...)

<http://www.siemens.com/industrial-controls/catalogs>

##### Industry Mall (Online ordering system)

<http://www.siemens.com/industrymall>

##### Cax online generator

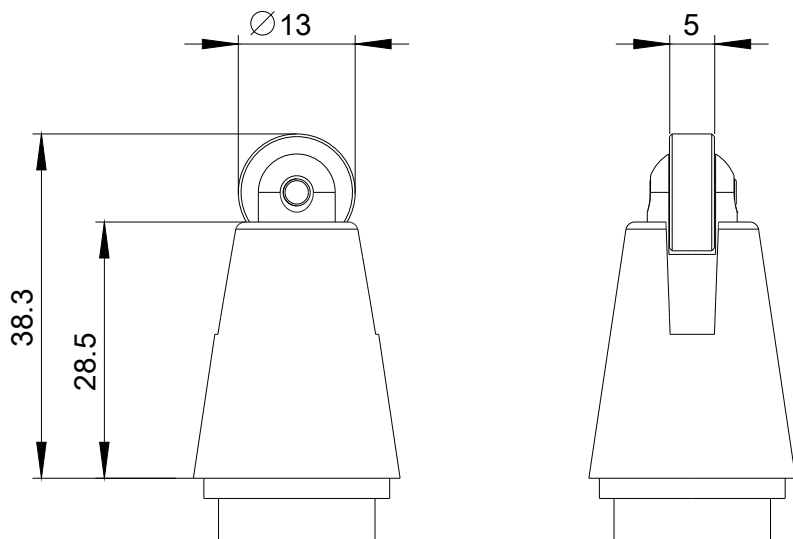
<http://support.automation.siemens.com/WW/CAXorder/default.aspx?lang=en&mlfb=3SE5000AD021AJ0>

##### Service&Support (Manuals, Certificates, Characteristics, FAQs,...)

<http://support.automation.siemens.com/WW/view/en/3SE5000AD021AJ0/all>

##### Image database (product images, 2D dimension drawings, 3D models, device circuit diagrams, EPLAN macros, ...)

[http://www.automation.siemens.com/bilddb/cax\\_de.aspx?mlfb=3SE5000AD021AJ0&lang=en](http://www.automation.siemens.com/bilddb/cax_de.aspx?mlfb=3SE5000AD021AJ0&lang=en)



last modified:

16.03.2015