

Drive Blocks • DIN 2079
23100.0245

Product Description

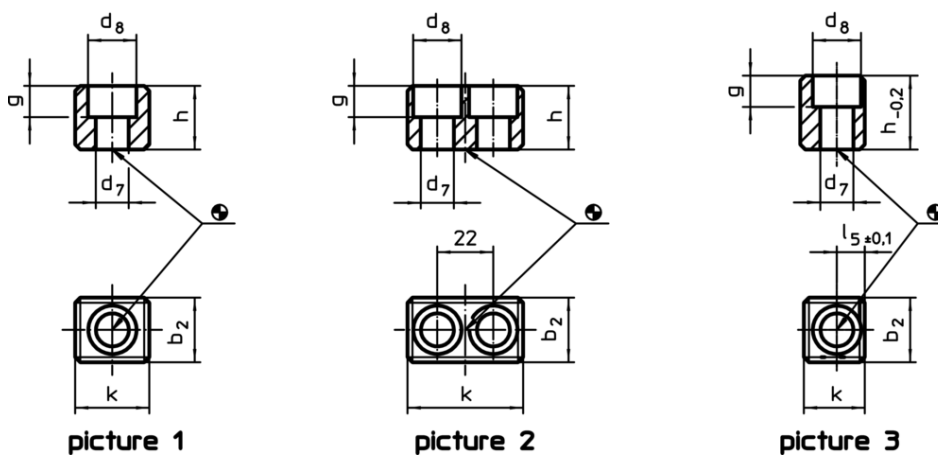
These drive blocks are manufactured according to DIN 2079.

Material

- Alloyed case-hardened steel, case-hardened, blackened, ground



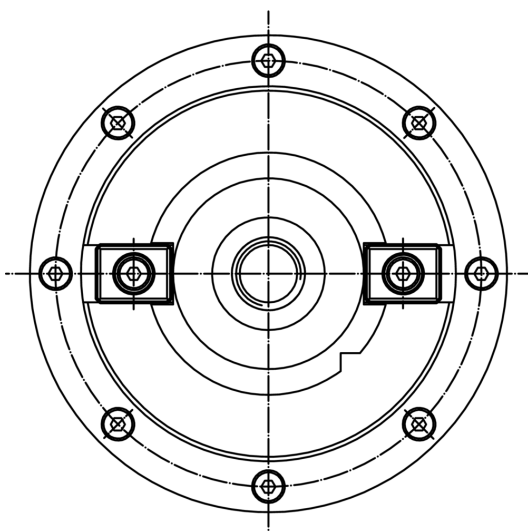
Drawing



Order information

| Spindle head No. | Dimensions | | | | | | | For screws ISO 4762 | [g] | Art. No. |
|--|------------|----------------------------------|----------------|----------------|----|----|------------------------|------------------------|-----|------------|
| | k | b ₂ h ₅ | d ₇ | d ₈ | g | h | l ₅ ±0.1 | | | |
| for spindle heads no. 30 to 50, form C – picture 3 | | | | | | | | | | |
| 45 | 17.5 | 19 | 8.4 | 13.5 | 10 | 26 | 7.5 | M8 x 25 | 48 | 23100.0245 |

Application example



Compliance

RoHS compliant

Compliant according to Directive 2011/65/EU and Directive 2015/863

Does not contain SVHC substances

No SVHC substances with more than 0.1% w/w contained - SVHC list [REACH] as of 10.06.2022

Does not contain Proposition 65 substances

No Proposition 65 substances included
<https://www.P65Warnings.ca.gov/>

Free from Conflict Minerals

This product does not contain any substances designated as "conflict minerals" such as tantalum, tin, gold or tungsten from the Democratic Republic of Congo or adjacent countries.