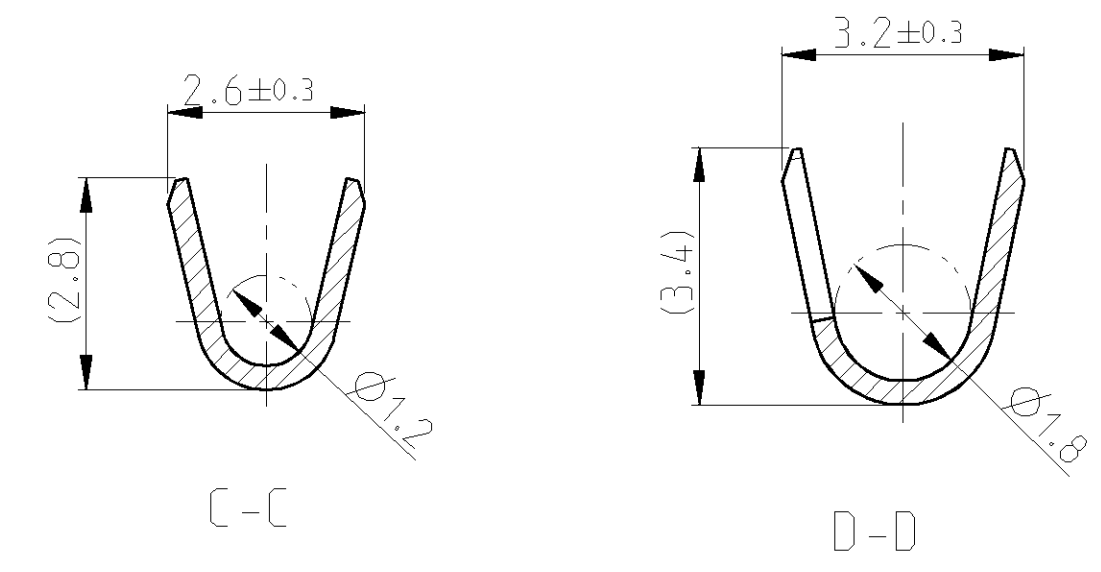
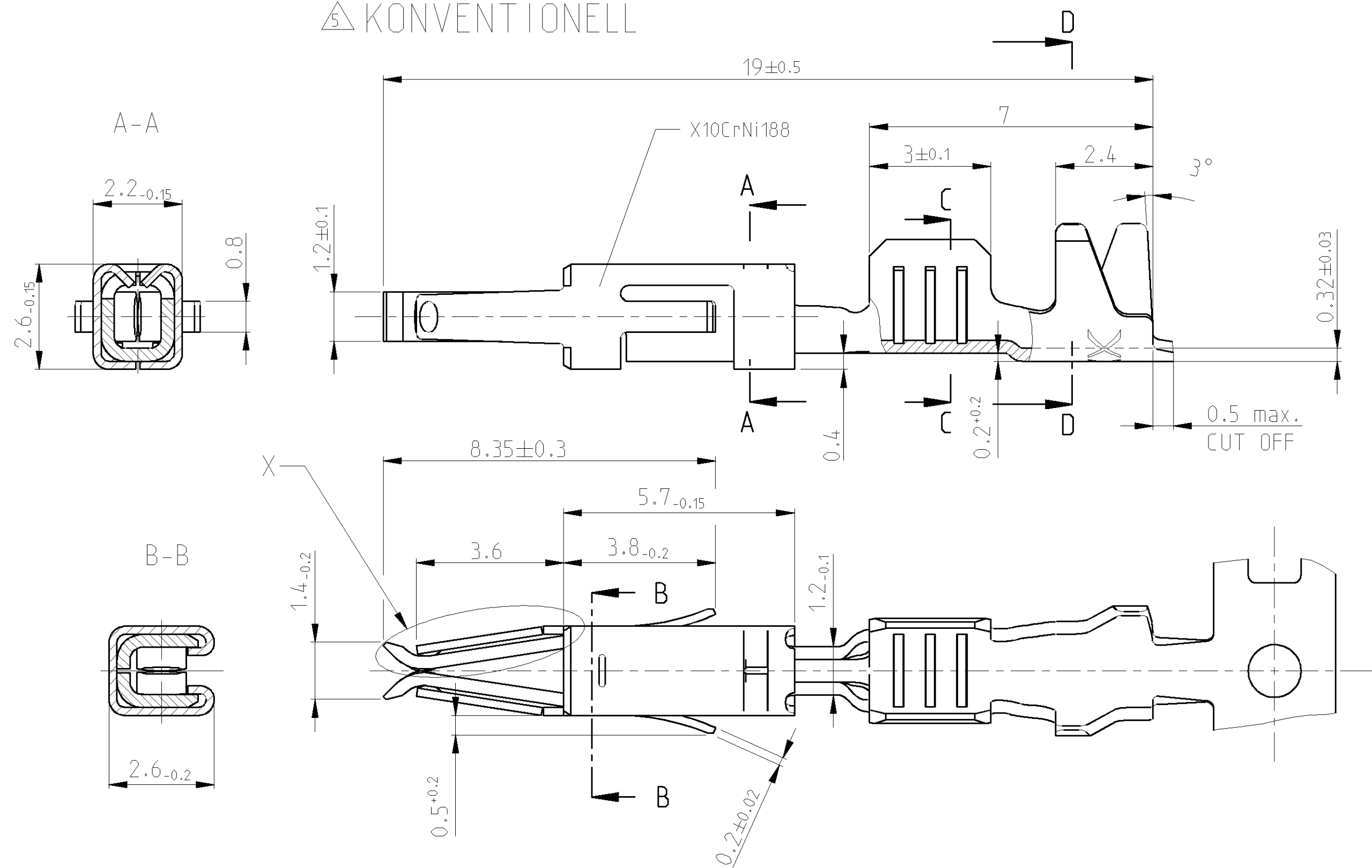


THIS DRAWING IS UNPUBLISHED. RELEASED FOR PUBLICATION  
 © COPYRIGHT - ALL RIGHTS RESERVED.

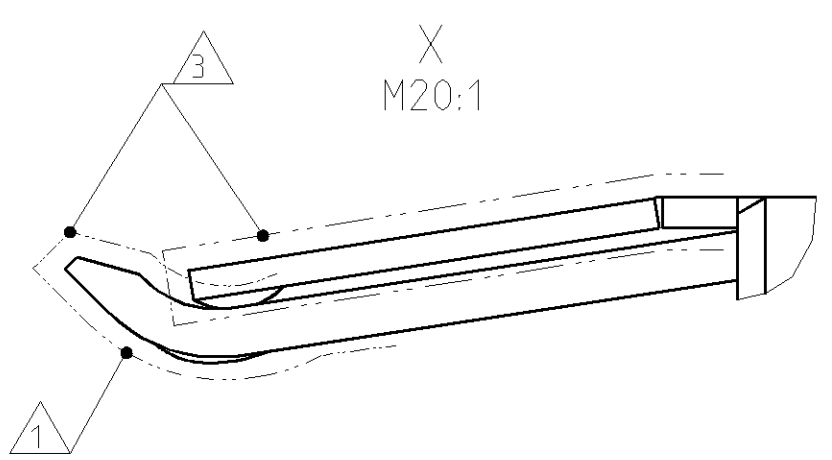
LOC		DIST		REVISIONS			
P	LTR	DESCRIPTION	DATE	DWN	APVD		
		K1	drawing adapted	06APR2009	Abr	Brun	
		K2	REVISED PER ECO-11-005150	31MAR2011	RK	HMR	
		K3	NEW VERSION OF GOLD CONTACTS PERMITTED.	18MAY2011	Kirs	Mair	
		K4	OPTIONAL to note 6 TTD added. (area A3)	29JUN2011	Kirs	Mair	

5 KONVENTIONELL

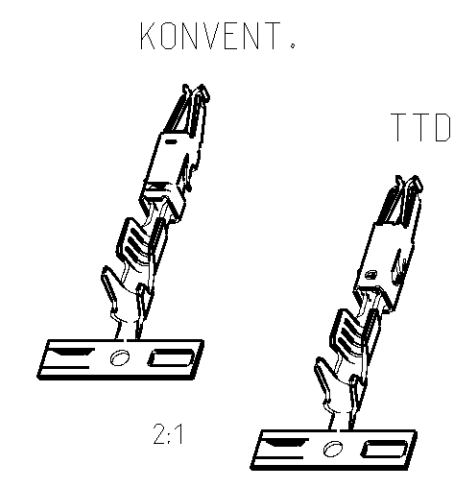
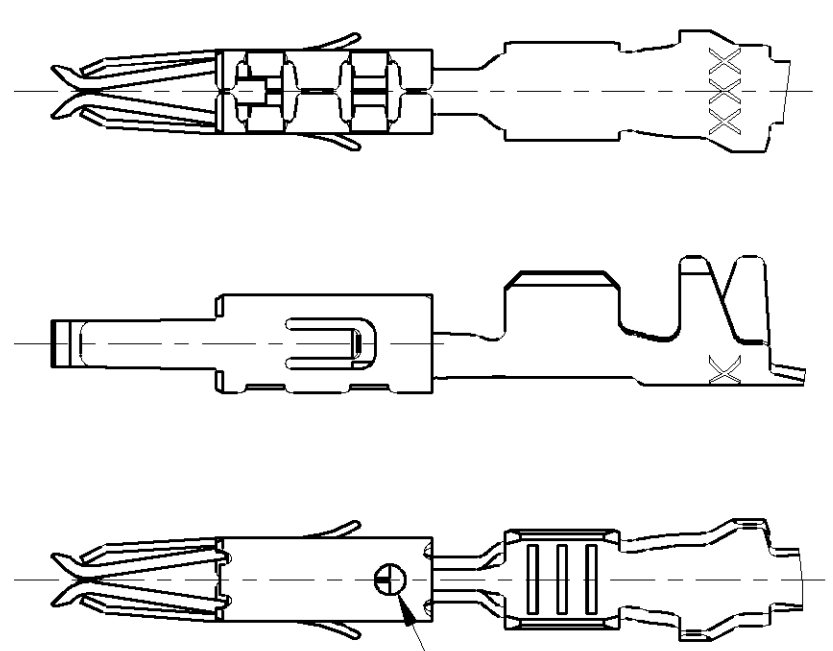


NOTES  
Bemerkungen

- 1 SELECTIVE GOLD PLATED MIN. 0.8 µm OVER NI  
selektiv vergoldet 0.8 µm ueber Ni
- 2 TIN PLATED MIN. 0.2 µm OVER NI  
verzinkt 0.2 µm ueber Ni
- 3 CONTACT SURFACE SEL. GOLD PLATED MIN. 0.8 µm OVER NI  
CANTILEVER SPRING COMPLETELY GOLD PLATED ON BOTH SIDES  
sel. vergoldet auf der Kontaktoberseite 0.8 µm min. ueber Ni  
Ueberfeder komplett auf beiden Seiten vergoldet
- 4 WIRE RANGE : 0.5 - 1.0 mm<sup>2</sup>  
INSULATION-Ø : 1.4 - 2.0 mm (FLR)  
Drahtgroessebereich : 0.5 - 1.0 mm<sup>2</sup>  
Isolations-Ø : 1.4 - 2.0 mm (FLR)



6 TWO TRACK DIE  
M 5:1



SINGLE CRIMP Einzelanschlag		DOUBLE CRIMP Doppelanschlag OFF / VON	WITH mit	0.2	0.35	0.5	1.0
					X	X	
		0.2			X		
		0.35		X		X	
X		0.5			X		
X		1.0					

VERSION	LP NO	SURFACE / Oberflaeche	MATERIAL	PART NO	REV
6 5	962945-6	3 2	CuSn4	962943-6	K
6 5	962945-5	1 2	CuFe2	962943-5	K
6 5	962945-4	1 3 2	CuSn4	962943-4	K
6 5	962945-3	1 2	CuSn4	962943-3	K
6	962945-2	PRETIN	CuFe2	962943-2	K
6	962945-1	PRETIN	CuSn4	962943-1	K

THIS DRAWING IS A CONTROLLED DOCUMENT.

DIMENSIONS: mm

TOLERANCES UNLESS OTHERWISE SPECIFIED: ±0.2

MATERIAL: -

DWN: R.Hofer 06JUN1989  
 CHK: H.Gehrke 13AUG1992  
 APVD: Bleicher, M. 03AUG2008

PRODUCT SPEC: 108-18386  
 APPLICATION SPEC: 114-18081  
 WEIGHT: 0.3 g

STE TE Connectivity

NAME: MICRO TIMER 2 CONTACT WITH DOUBLE LOCKING LANCE mit doppelter Rastfeder

SIZE: A2 CAGE CODE: 100779 DRAWING NO: 962943 RESTRICTED TO: -

CUSTOMER DRAWING SCALE: 10:1 SHEET: 1 OF 1 REV: K4