

DC Axial Fan

40mm x 40mm x 20mm



RoHS
Compliant



Electrical Characteristic

| | |
|-----------------------------|---------------------------|
| Rated Voltage | 24V DC |
| Rated Current | 32mA / Max. 39mA |
| Rated Power Consumption | 0.77W / Max. 0.94W |
| Safety Power Consumption | 0.84W |
| Operating Voltage Range | 8 to 27.6V DC |
| Starting Voltage | 8V DC (25°C Power ON/OFF) |
| Operating Temperature Range | -10°C to +70°C |
| Storage Temperature Range | -40°C to +70°C |

Mechanical Characteristics

| | |
|-----------------------|--|
| Motor Design | Single Phase, 4-Pole Brushless DC Motor |
| Bearing System | Vapo Bearing |
| Power Connection Type | #26AWG - 2 Lead Wires; Red (+), Black (-) |
| Frame Material | Thermoplastic PBT of UL 94V-0 |
| Fan Blade Material | Thermoplastic PBT of UL 94V-0 |
| Rotation Direction | Counter-Clockwise (Viewed from Front of Fan Blade) |
| Mounting Holes | 4.3mm Diameter, 4 Holes |
| Weight | 29g |

Performance Characteristics

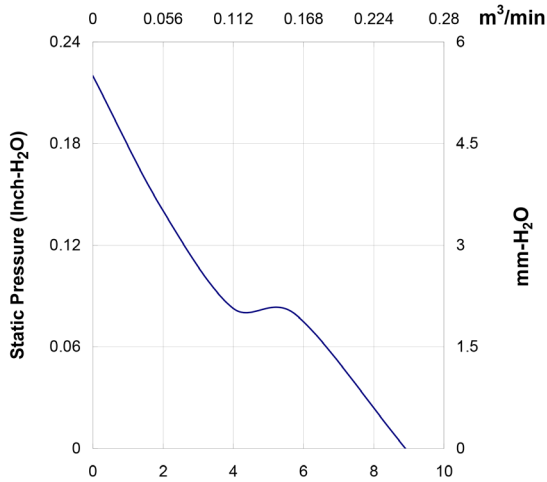
| | |
|-----------------------|---|
| Rated Speed | 7000RPM \pm 15% @ Rated Voltage |
| Air Flow | 8.9CFM |
| Static Pressure | 0.22 Inch-H ₂ O |
| Acoustic Noise | 25.5dB (A) |
| Insulation Class | UL Class A |
| Insulation Resistance | 10M Ω @ 500V DC between internal stator & lead Wire (+) |
| Dielectric Strength | Applied AC 500V for one minute or AC 600V for 2 Seconds between housing & lead Wire (+) |
| Life Expectancy | 60,000 Hours @ 40°C, 65% Humidity, 90% CL. |
| Protection | Automatic Restart Note: In a situation where the fan is locked by an external force while The electricity is on, an increase in coil temperature will be prevented by temporarily turning off the electrical power to the motor. The fan will automatically restart when the locked rotor condition is release. Polarity Protection |

DC Axial Fan

40mm x 40mm x 20mm



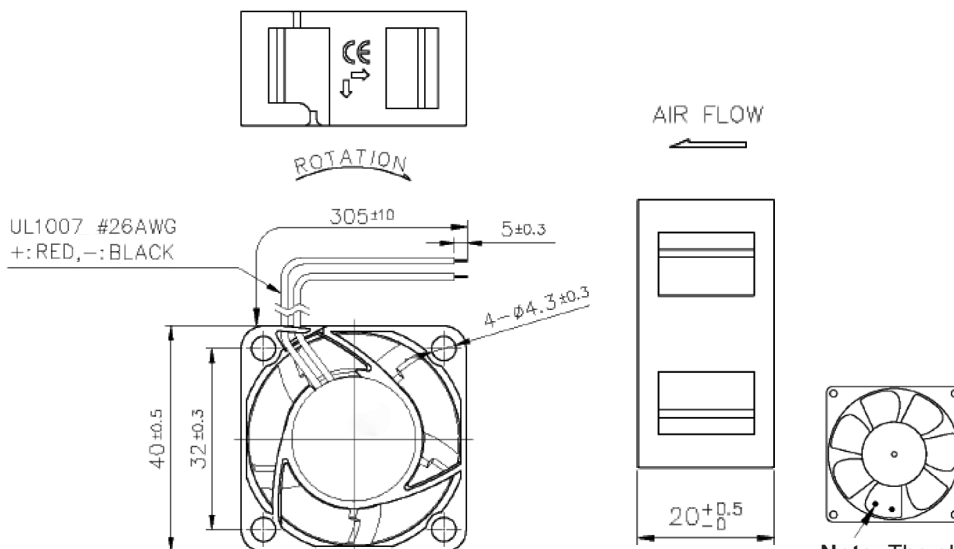
Performance Curves



Dimensions

| Screw Type (Pan head) | Torque | Screw Specification | |
|--------------------------|---------------|---------------------|------------------|
| | | Size | Standard |
| Machine screw | 3 to 4 Kgf-cm | M4.0 | JIS B1111-1974 |
| Self-tapping screw | 6 to 8 Kgf-cm | Ø5.0 | JIS B1122 Type 2 |

Drawing



Dimensions : Millimetres

Part Number Table

| Description | Part Number |
|---|-------------|
| DC Axial Fan, 40mm, Vapo, 24V, 8.9CFM, 25.5dB | MC002694 |

Important Notice : This data sheet and its contents (the "Information") belong to the members of the Premier Farnell group of companies (the "Group") or are licensed to it. No licence is granted for the use of it other than for information purposes in connection with the products to which it relates. No licence of any intellectual property rights is granted. The Information is subject to change without notice and replaces all data sheets previously supplied. The Information supplied is believed to be accurate but the Group assumes no responsibility for its accuracy or completeness, any error in or omission from it or for any use made of it. Users of this data sheet should check for themselves the Information and the suitability of the products for their purpose and not make any assumptions based on information included or omitted. Liability for loss or damage resulting from any reliance on the Information or use of it (including liability resulting from negligence or where the Group was aware of the possibility of such loss or damage arising) is excluded. This will not operate to limit or restrict the Group's liability for death or personal injury resulting from its negligence. Multicomp is the registered trademark of the Group. © Premier Farnell Limited 2016.

www.element14.com
www.farnell.com
www.newark.com

