

# LQH44PN3R3MPR#

“#” indicates a package specification code.

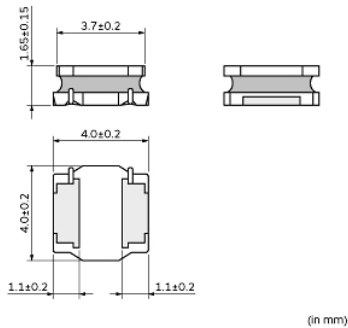
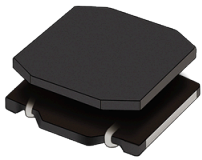
Size Code 4040 (1515) in mm (in inch), 1.8mm max. Thickness. Low DC resistance design



< List of part numbers with package codes >

LQH44PN3R3MPRK      LQH44PN3R3MPRL

## Appearance & Shape



## References

Packaging	Specifications	Standard Packing Quantity
K	330Embossed Tape	3500
L	180Embossed Tape	1000

Mass (typ.)	
1 piece	0.105g

## Notices

When rated current is applied to the products, keep the temperature (ambient temperature plus self-generation of heat) under 125°C.

**Attention**  
1.This datasheet is downloaded from the website of Murata Manufacturing Co., Ltd. Therefore, it's specifications are subject to change or our products in it may be discontinued without advance notice. Please check with our sales representatives or product engineers before ordering.  
2.This datasheet has only typical specifications because there is no space for detailed specifications.  
Therefore, please review our product specifications or consult the approval sheet for product specifications before ordering.

# LQH44PN3R3MPR#

“#” indicates a package specification code.



## Specifications

L size	4.0±0.2mm
W size	4.0±0.2mm
T size	1.65±0.15mm
Size code inch (mm)	1515 (4040)
Inductance	3.3μH±20%
Inductance Test Frequency	100kHz
Rated current (Isat) (Based on Inductance change)	2300mA
Rated current (Itemp) (Based on Temperature rise)	2000mA
Max. of DC resistance	0.066Ω
Operating Temperature Range (Self-temperature rise is included)	-40°C to 125°C
Class of magnetic shield	Magnetic Resin
Self resonance frequency (min.)	40MHz
Operating Temperature Range (Self-temperature rise is not included)	-40°C to 85°C
Brand	Murata
DC Resistance Intermediate Values	0.055Ω±20%
Series	LQH44PN_PR

### Attention

1.This datasheet is downloaded from the website of Murata Manufacturing Co., Ltd. Therefore, it's specifications are subject to change or our products in it may be discontinued without advance notice. Please check with our sales representatives or product engineers before ordering.

2.This datasheet has only typical specifications because there is no space for detailed specifications.

Therefore, please review our product specifications or consult the approval sheet for product specifications before ordering.