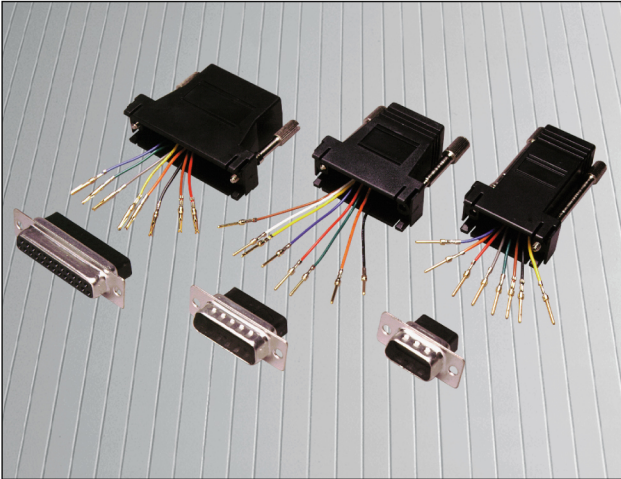


MHDA Series - Modular Jack Adaptors Unshielded



- 9, 15 & 25 way D type Male and Female variations.
- Adaptors supplied complete with connector unwired. (Pre-wired adaptors available on request.)
- Coloured variations available on request.

Order Code

MHDA 25 - P MJ8 - Red K

Series _____

Size _____
9, 15, 25

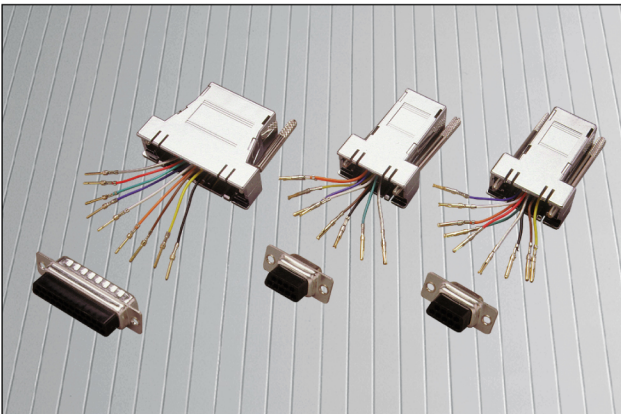
Gender _____
P = Male
S = Female

Socket Type _____
MJ6-RJ11 = 6 way
MJ8-RJ45 = 8 way

Finish _____
Omit = Black, R = Red, B = Blue, G = Green,
Y = Yellow, LG = Light Grey

Packaging Style _____
Omit = Bulk
K = Individually kitted

MHDA Series - Modular Adaptors Shielded

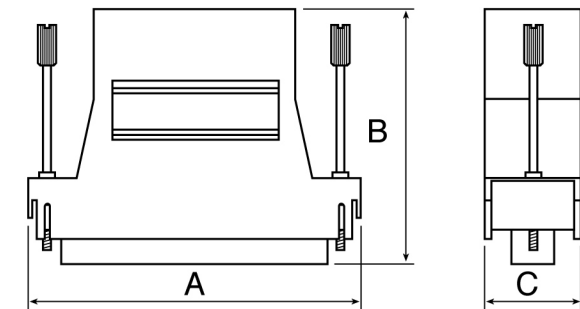


Order Code

MHDA9-PMJ8-M-K = 9 Way Male to RJ45 Adaptor Shield
 MHDA9-SMJ8-M-K = 9 Way Female to RJ45 Adaptor Shielded
 MHDA25-PMJ8-M-K = 25 Way Male to RJ45 Adaptor Shielded
 MHDA25-SMJ8-M-K = 25 Way Female to RJ45 Adaptor Shielded

Pin Configurations

9/25 Black	9/15/25 Grey	Shielded
1 - Black	1 - Blue	1 - Black
2 - Yellow	2 - Orange	2 - Yellow
3 - Orange	3 - Black	3 - Orange
4 - Red	4 - Red	4 - Red
5 - Green	5 - Green	5 - Green
6 - Brown	6 - Yellow	6 - Brown
7 - Grey	7 - Brown	7 - Grey
8 - Blue	8 - White	8 - Blue
		Drain Wire



Dimensions (in mm) - 9, 15 & 25 Ways

	9	15	25
A	32	49	15.5
B	41	39	15.5
C	55	39	15.5