



Main

Product Range	Legacy
Product Type	Socket
Product Compatibility	Relay 750XCXR Relay 750XCXH Suppressor module 70-ASMM Diode 70-ASMD Signalling device 70-ASMLG Suppressor module 70-ASMR Jumper wire 16-750CBJ-1
Number of Terminals	8
Switch Function	DPDT
Contact Composition	2 NO + 2 NC

Complementary

Rated Current	16 A
Rated voltage	300 V
Contact Terminal Arrangement	Mixed
Connections Terminals	Output screw clamp terminalssolid Output screw clamp terminalsstranded
Tightening Torque	Chassis 0.8 N.m, AWG 14...AWG 12, copper Screw 1 N.m
Fixing Mode	By screw M3.5, M3.5 panel Clip-on 35 mm DIN rail
Shape of Screw Head	Combination roundhead
Product Weight	2.12 oz (60 g)
Width	1.42 in (36 mm)
Depth	2.86 in (72.7 mm)

Environment

Ambient Air Temperature for Storage	-40...221 °F (-40...105 °C)
Ambient Air Temperature for Operation	-40...131 °F (-40...55 °C)
IP Degree of Protection	IP20
Flame Retardance	UL94-V0
Product Certifications	UL CSA CE RoHS

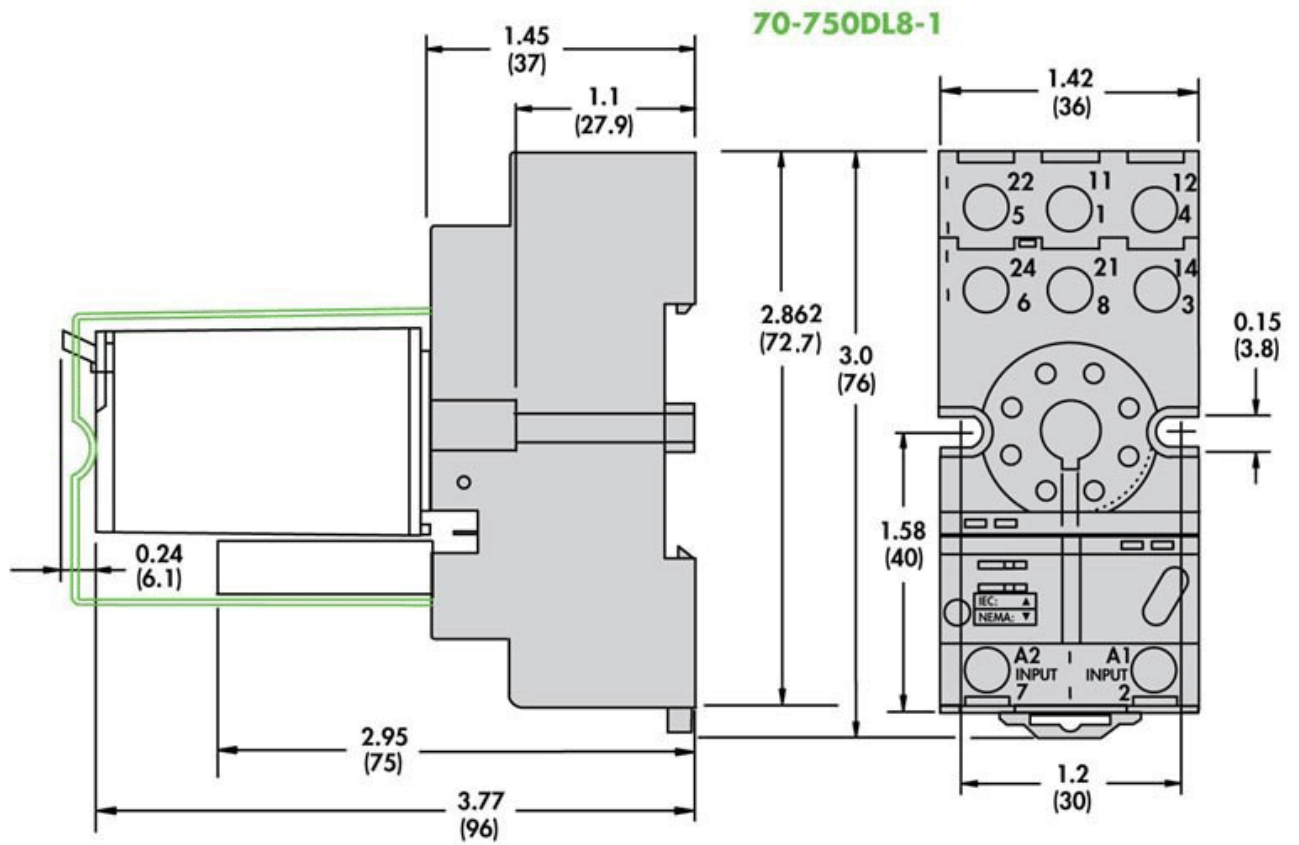
Ordering and shipping details

GTIN	03606480278006
------	----------------

Offer Sustainability

Sustainable offer status	Green Premium product
California proposition 65	WARNING: This product can expose you to chemicals including: Nickel compounds, which is known to the State of California to cause cancer, and Di-isodecyl phthalate (DIDP), which is known to the State of California to cause birth defects or other reproductive harm. For more information go to www.P65Warnings.ca.gov
REACH Regulation	REACH Declaration
REACH free of SVHC	Yes
EU RoHS Directive	Pro-active compliance (Product out of EU RoHS legal scope) EU RoHS Declaration
Toxic heavy metal free	Yes
Mercury free	Yes
RoHS exemption information	Yes
China RoHS Regulation	China RoHS Declaration
Environmental Disclosure	Product Environmental Profile
WEEE	The product must be disposed on European Union markets following specific waste collection and never end up in rubbish bins.

Approximate Dimensions



Connections and Wiring Diagrams

