

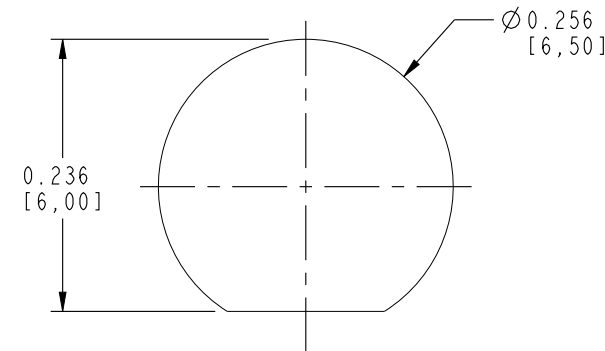
NOTES:

1. MATERIALS AND FINISHES:
 MMCX STR PLUG - BRASS, GOLD PLATING
 SMA STR BHD JACK - BRASS, GOLD PLATING
 CABLE - RG 174
2. ELECTRICAL:
 A. IMPEDANCE: 50 OHM
3. PACKAGING:
 A. QUANTITY: SINGLE PACK
 B. MARKING: BAG TO BE MARKED
 "AMPHENOL RF, 245107-02-XX-XX AND DATE CODE"

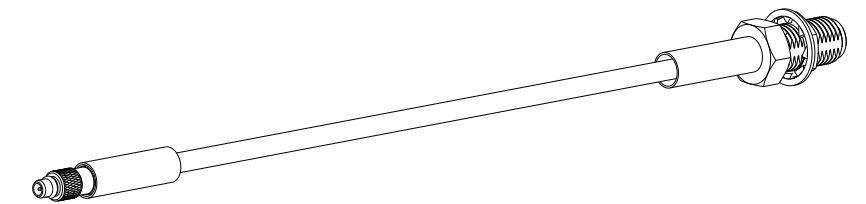
THIRD ANGLE PROJ.

REVISIONS

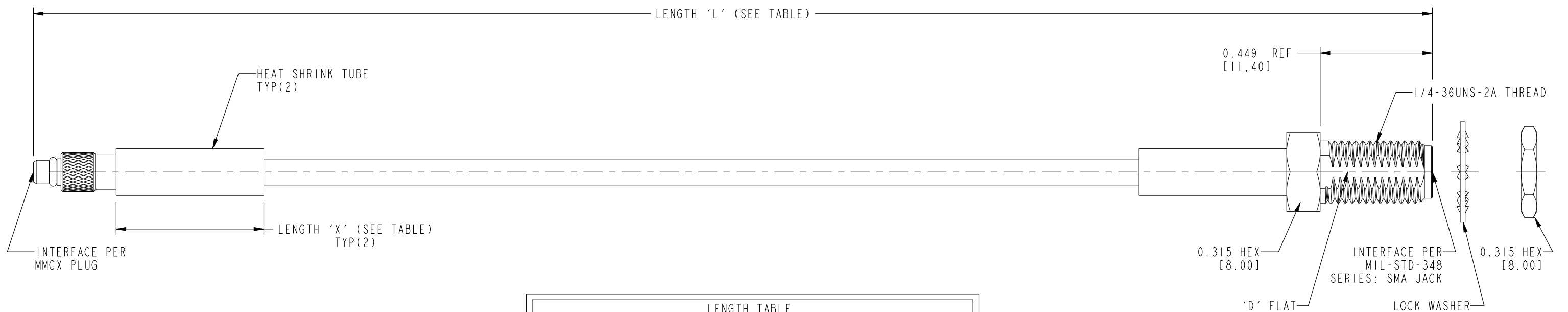
REV	DESCRIPTION	DATE	ECO	APPR
--	RELEASE TO MFG.	--	--	--
B	COD SHEET ADDED	30-Jan-19	10403	SKP



RECOMMENDED MOUNTING HOLE DIMENSIONS



SCALE 1.000



LENGTH TABLE		
PART NUMBER (IMPERIAL)	LENGTH 'L' IN INCHES [METERS]	LENGTH 'X' IN INCHES [METERS] MIN
245107-02-06.00	6.00 [0.152]	0.75 [0.019]
245107-02-12.00	12.00 [0.305]	
245107-02-18.00	18.00 [0.457]	
245107-02-24.00	24.00 [0.610]	1.50 [0.038]
245107-02-36.00	36.00 [0.914]	

TOLERANCE TABLE	
LENGTH IN INCHES/FT [METERS]	TOLERANCE
0" - 23.90" [0 - 0.607]	±0.25" [0.006]
24.00" - 59.00" [0.610 - 1.499]	±0.50" [0.013]
5.0' - 24.9' [1.524 - 7.617]	±2.5%
25.0' & UP [7.620 & UP]	±5.0%

DESIGN REQUIREMENTS:

FREQUENCY: ---- TO ---- GHz CONTINUITY

VSWR: ---- 1 MAX. HI-POT: 500 VRMS

INS. LOSS: ---- dB MAX. OTHER

CUSTOMER OUTLINE DRAWING
 ALL OTHER SHEETS ARE FOR INTERNAL USE ONLY

UNLESS OTHERWISE SPECIFIED, DIMENSIONS ARE IN INCHES AND TOLERANCES ARE: 2 PLACE DECIMAL 3 PLACE DECIMAL ANGLES ±.015 (0,381 mm) ±.005 (0,127 mm) ± 1°	MATERIAL	DRAWN	DATE	TITLE MMCX STR PLUG TO SMA STR BHD JACK USING RG 174 CABLE VARIOUS LENGTH	Amphenol RF www.amphenolrf.com
	SEE NOTES	CLEMENT	02-Aug-10		
NOTICE - These drawings, specifications, or other data (1) are, and remain the property of Amphenol corp. (2) must be returned upon request; and (3) are confidential and not to be disclosed to any person other than those to whom they are given by Amphenol Corp. the furnishing of these drawings, specifications, or other data by Amphenol Corp., or to any other person to anyone for any purpose is not to be regarded by implication or otherwise in any manner licensing, granting rights to permitting such holder or any other person to manufacture, use or sell any product, process or design, patented or otherwise, that may in any way be related to or disclosed by said drawings, specifications, or other data.	REFERENCE	ENGINEER	DATE	SCALE: 2.6:1.0	SHEET 2 OF 2
	EAR #	CLEMENT	02-Aug-10		
	CONFIGURATION LEVEL: In Work	APPROVED	DATE		
FINISH	K.CAPOZZI	30-Jan-19		DWG SIZE	REV
				B	B
					DRAWING NO. 245107-02-XX-XX
					ITEM NO. 245107-02-XX-XX
					PART NO. 245107-02-XX-XX