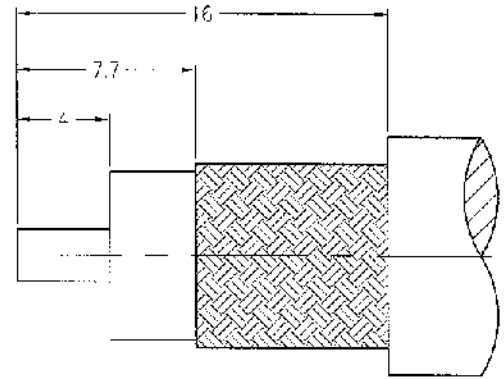


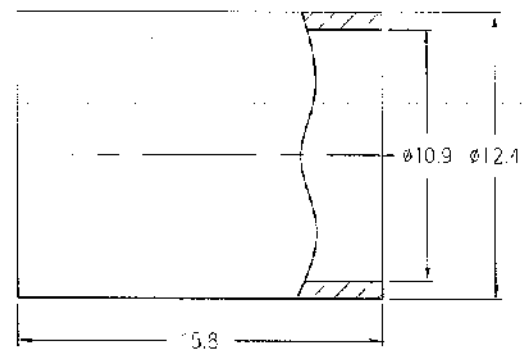
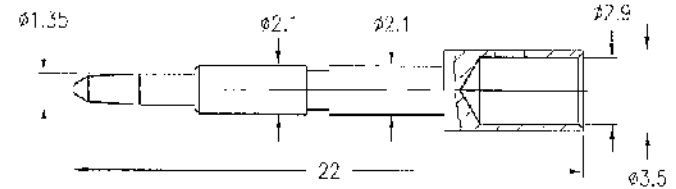
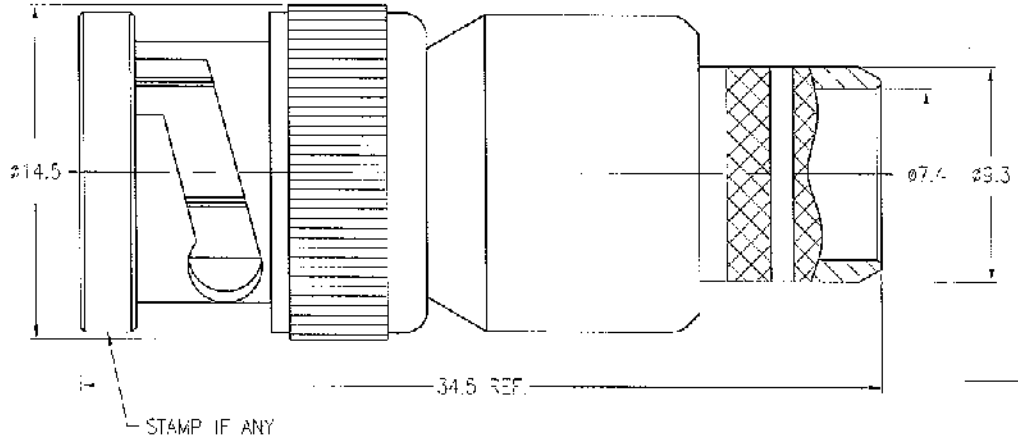
NOTES:

- MATERIALS AND FINISHES:  
 BODY - BRASS, NICKEL PLATING  
 BAYONET - ZINC DIECAST, NICKEL PLATING  
 CONTACT - BRASS, GOLD PLATING  
 INSULATOR - PTFE
- ELECTRICAL:  
 A. IMPEDANCE: 50 OHM  
 B. FREQUENCY RANGE: DC 0-7 GHz  
 C. VSWR(RETURN LOSS): 1.3 (17.7 dB), MAX.  
 D. DIELECTRIC WITHSTANDING VOLTAGE: 1500 VRMS, MIN.
- MECHANICAL:  
 A. DURABILITY: 500 CYCLES MIN.  
 B. TEMPERATURE RANGE: 65°C to -165°C
- CRIMPED THROUGH:  
 H-X CRIMP SIZE .428"
- CRIMPED CONTACT PIN:  
 H-X CRIMP SIZE .116"

31-5998-RFX		REV. NO.		REV. DATE		DESCRIPTION		DATE	ECO	APPR
THIRD ANGLE PROJ.		⊕	⊕	C			BAYONET WAS BRASS	7/13/06	43154	GII



RECOMMENDED  
CABLE STRIPPING DIM'S



**CUSTOMER OUTLINE DRAWING**  
ALL OTHER SHEETS ARE FOR INTERNAL USE ONLY

UNLESS OTHERWISE SPECIFIED, DIMENSIONS ARE IN METRIC AND TOLERANCES ARE:  
 0.5 - 5mm ±0.1mm  
 6 - 30mm ±0.2mm  
 30 - 120mm ±0.3mm  
 ANGLES ±1°

NOTICE - These drawings, specifications, or other data (1) are, and remain the property of Amphenol Corp. (2) must be returned upon request; and (3) are confidential and not to be disclosed to any person other than those to whom they are given by Amphenol Corp. The furnishing of these drawings, specifications, or other data by Amphenol Corp., or to any other person to anyone for any purpose is not to be regarded by implication or otherwise in any manner licensing, granting rights or permitting any holder or any other person to manufacture, use or sell any product, process or design, patented or otherwise, that may in any way be related to or disclosed by such drawings, specifications, or other data.

MATERIAL	DRAWN	DATE	TITLE
	CARRA	23-Jun-06	BNC CRIMP FLUG
REFERENCE	ENGINEER	DATE	(FOR BELDEN 8214,9913,9914)
		23-Jun-06	
FINISH	APPROVED	DATE	SCALE 3/1
	<i>[Signature]</i>	7/13/06	SHEET 2 OF 2
	CAD FILE		DWG SIZE
	E:\DWG\B\112186\9913-50\NLSO-ASZ		CODE ID
			REV
			C

Amphenol RF	Drawing No.	1EM No.	Part No.
Darbury CT, USA, Taiwan, Shenzhen China www.amphenolrf.com	B112186-NT3G-9913-50	011121ALL93NA5F	31-5998-RFX