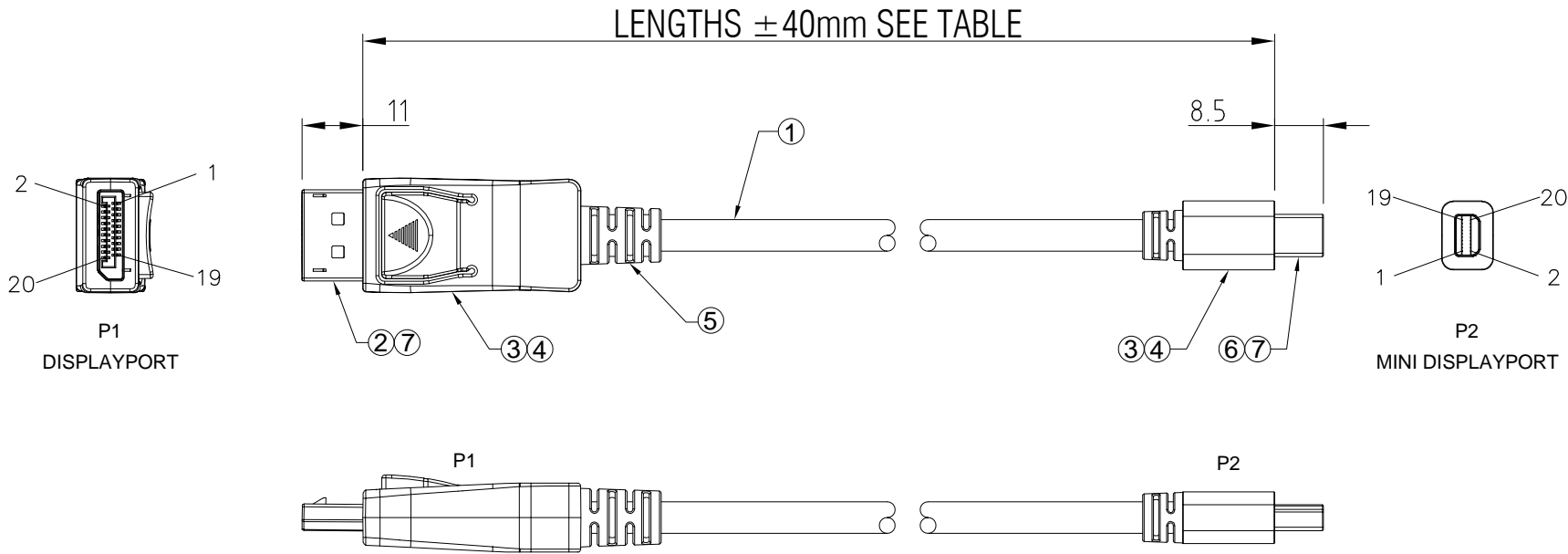
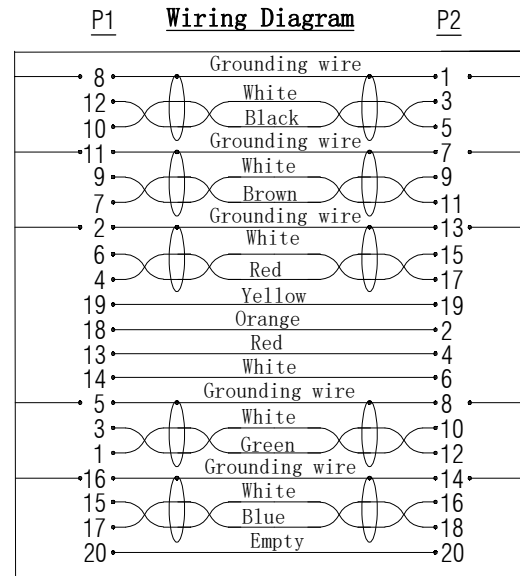


ISS.	AMEND	DATE
1	ISSUED	12/08/22



- NOTE:
- DUST CAP NOT SHOWN.
  - PLUG STYLE AND CABLE DIAMETER MAY VARY.
  - CONTINUITY CONDUCTOR RESISTANCE: 3Ω MAX
  - INSULATION RESISTANCE: 10MΩ MIN

ITEM	DESCRIPTION	MATERIAL	FINISH
1	UL20276 CABLE (PVC JACKET)	COMPOSITE	BLACK or WHITE
2	DISPLAYPORT CONNECTOR	COMPOSITE	GOLD PLATE
3	OUTER OVERMOULD	PVC 45P	BLACK or WHITE
4	INNER OVERMOULD	LLDPE	CLEAR
5	STRAIN RELIEF	PVC 45P	BLACK or WHITE
6	MINI DISPLAYPORT CONNECTOR	COMPOSITE	GOLD PLATE
7	DUST CAP	PE or PP	CLEAR



PART No.	LENGTH	COLOUR
FCR72013	1m	BLACK
FCR72014	2m	
FCR72015	5m	
FCR72013W	1m	WHITE
FCR72014W	2m	
FCR72015W	5m	

**RoHS**  
COMPLIANT

**TOLERANCE**  
 NO DEC. PLACE ±  
 1 DEC. PLACE ±  
 2 DEC. PLACE ±  
 HOLE Ø ±  
 ANGLES ±  
 UNLESS OTHERWISE STATED

**Cliff Electronic Components Ltd.**

76 Holmethorpe Avenue, Holmethorpe Industrial Estate,  
 Redhill, Surrey, RH1 2PF, England, UK  
 Tel: 01737-771375 Fax: 01737-766012 Website: www.cliffuk.co.uk

THE CONTENTS OF THIS DOCUMENT MUST NOT BE COPIED OR DISCLOSED TO A 3rd PARTY WITHOUT WRITTEN PERMISSION OF CLIFF UK. © 2022

DIMENSIONS IN MILLIMETERS UNLESS OTHERWISE STATED. WORK TO DIMENSIONS. REMOVE ALL BURRS. IF IN DOUBT ASK.

3rd ANGLE PROJECTION:

MATERIAL: SEE TABLE

FINISH: SEE TABLE

DRAWN: T.J.O.

APPROVED: D.P.J.

TITLE: DISPLAY PORT TO MINI DISPLAY PORT 4K CABLES

DRWG. No. **FCR72013**

FORM: A4DRWGH

DO NOT SCALE