

Features

- Large operating current range
- Loud volume
- Compact dimensions
- For printed circuit assembly



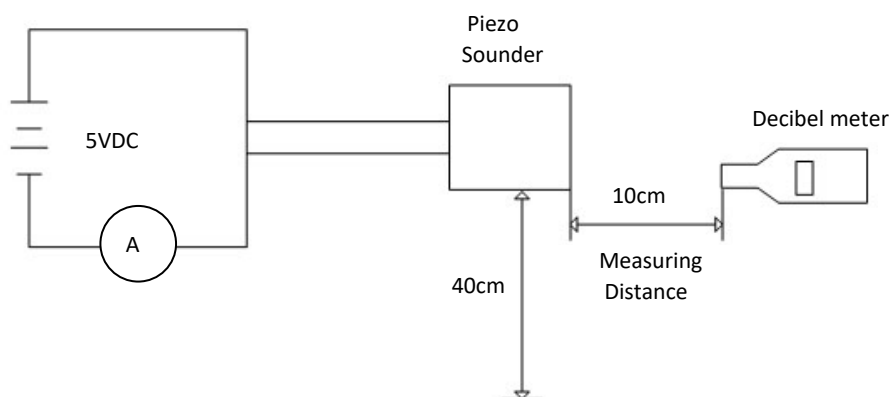
Basic Condition

Voltage Rating	5 VDC
Operating Voltage	3 ... 16 VDC
Operating Temperature	-20 ... 70 °C
Storage Temperature Range	-30 ... 80 °C

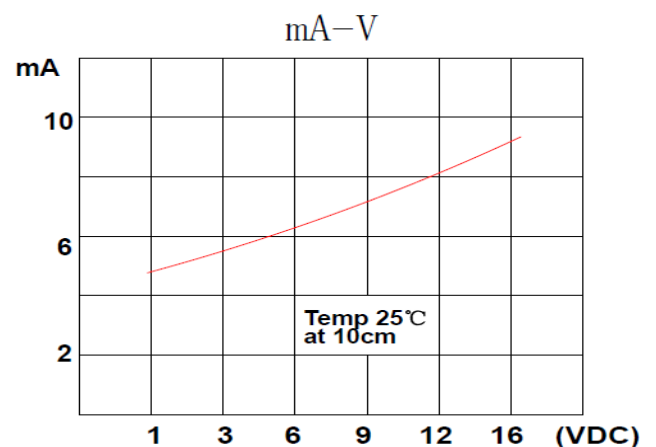
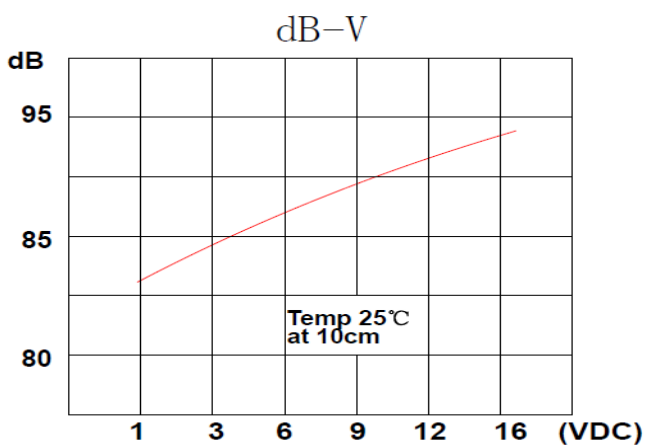
Electrical Characteristics

Sound Press Level	≥ 80 dB @ 100 mm / 5 VDC
Consumption Current	≤ 8 mA @ 5 VDC
Resonate Frequency	4 kHz +/- 500 Hz
Tone	Continuous Sound
Material	PPO

Measuring Method

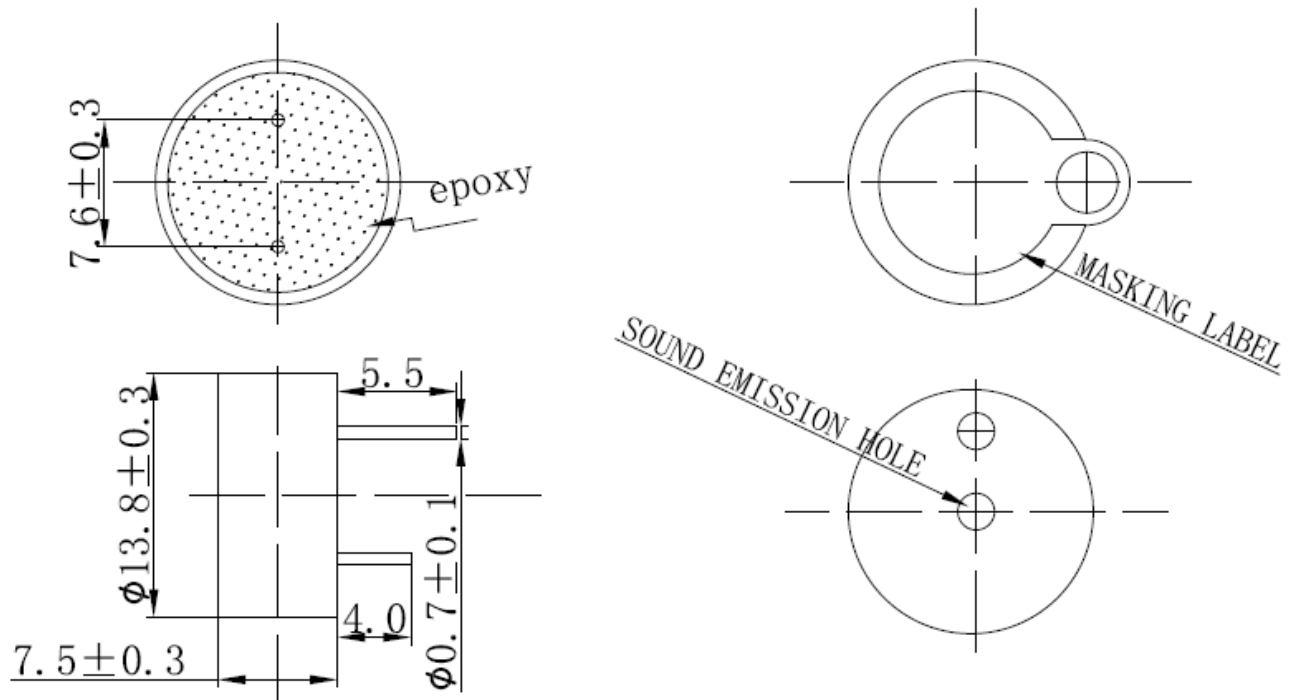


Sound Press Level & Consumption Current Curve



Piezo Buzzer

Drawing



Art Nr.
RND 430-00026