

MATERIAL

Glass-fibre reinforced polyamide (PA) SUPER-technopolymer, red colour similar to RAL 3000, matte finish.

PACKING RING

NBR synthetic rubber O-Ring.

In addition to guaranteeing the O-ring retention, the seat for the housing allows an optimal seal even with minimum tightening torques.

MAXIMUM CONTINUOUS WORKING TEMPERATURE

100°C.

GRAPHIC SYMBOL "DRAIN"

According to DIN regulations.

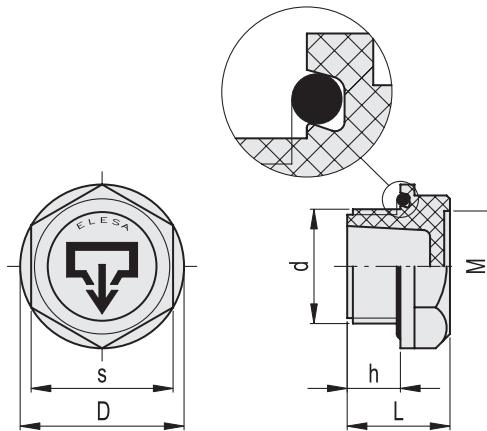
TECHNICAL DATA

In laboratory tests carried out with mineral oil type CB68 (according to ISO 3498) at 23°C for a limited period of time, the values of pressure resistance were much higher than 100 bar.

In any case, we suggest to check the suitability of the product with regard to the fluid nature, operating temperature and application type under the actual working conditions.



ELESA Original design



Code	Description	d	h	s	D	L	M	⚖️
158885	TSR.14x1.5	M14x1.5	9	19	22	17	15	4
158886	TSR.16x1.5	M16x1.5	10	22	25.5	18	17	6
158887	TSR.20x1.5	M20x1.5	11	27	32	20	20.5	8
158888	TSR.26x1.5	M26x1.5	12	32	37	22	25	14
158889	TSR.27x1.5	M27x1.5	12	32	37	22	25	14
158890	TSR.33x1.5	M33x1.5	13	38	44	23	31	18
158891	TSR.40x1.5	M40x1.5	14	46	53.5	26	38	19
158892	TSR.42x2	M42x2	15	46	53.5	26	38	21
158895	TSR.1/4	G 1/4	9	19	22	17	15	4
158896	TSR.3/8	G 3/8	9	22	25.5	18	17	6
158897	TSR.1/2	G 1/2	11	27	32	20	20.5	8
158898	TSR.3/4	G 3/4	12	32	37	22	25	14
158899	TSR.1	G 1	13	38	44	23	31	18
158911	TSR.1¼	G1 1/4	14	46	53.5	26	38	32
158913	TSR.1½	G1 1/2	15	55	63.5	28	46	51

- 1 
- 2 
- 3 
- 4 
- 5 
- 6 
- 7 
- 8 
- 9 
- 10 
- 11 
- 12 
- 13 
- 14 
- 15 
- 16 
- 17 
- 18 

Accessories for hydraulic systems