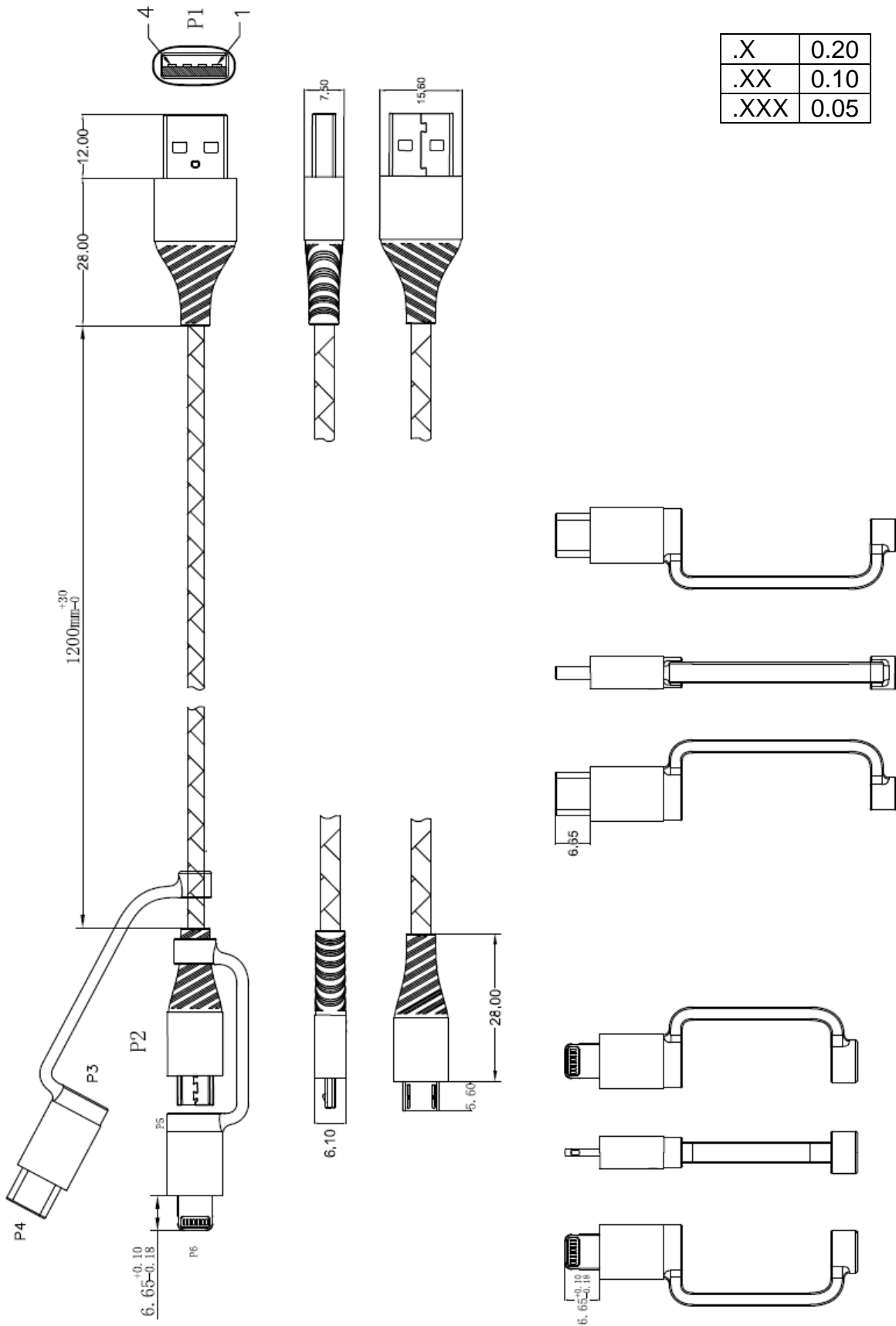


Produktname | *Product name*: Kabel USB zu 3 in 1 | Cable USB to 3 in 1 (120cm)  
 Artikelnummer | *Part Number*: 1700-0136  
 Anfragenummer | *Inquiry Number*: 810521  
 Ersteller / Datum | *Creator / Date*: DC / 01.02.2021

Version	Änderung / Change	Datum / Date	Name
V0	---	03.02.2021	DC

Template name: ANSMANN xxxx-xxxx\_0DA, Template version: V49

Zeichnung des Kabels / Drawing of the cable



**Technische Daten des USB Daten-Kabels / Technical data of the USB data cable:**



Eingangsstecker: (P1)	USB Standard Type-A	<i>Input plug: (P1)</i>	<i>USB Standard Type-A</i>
Ausgangsstecker: (P2)	Micro USB Type-B	<i>Output plug: (P2)</i>	<i>Micro USB Type-B</i>
Adapter von Micro USB Type-B Buchse (P3/5) zu:	- USB Type-C (P4) - Apple Lightning (P6)	<i>Adapter from Micro USB Type-B socket (P3/5) to:</i>	- USB Type-C (P4) - Apple Lightning (P6)
USB Type-C Adapter:	Von V <sub>BUS</sub> zu CC: 56 kΩ	<i>USB Type-C adapter:</i>	<i>From VBUS to CC: 56 kΩ</i>
Kabellänge:	120 cm + 3 cm - 0 cm	<i>Cable length:</i>	<i>120 cm + 3 cm - 0 cm</i>
Kabelmantel-Material:	Textilgeflecht (PET)	<i>Cable coating material:</i>	<i>Braided textile (PET)</i>
Stecker-Gehäuse-Material:	Metall + PVC	<i>Plug housing material:</i>	<i>Metal + PVC</i>
Kabel-Gewicht:	40 g ± 2 g	<i>Cable weight:</i>	<i>40 g ± 2 g</i>
Kabel-Typ:	Lade- und Datenkabel (Datenübertragung und Leistungsübertragung)	<i>Cable type:</i>	<i>Charge- and data cable (data transfer and power transfer)</i>
Zertifikat:	MFI	<i>Certificate:</i>	<i>MFI</i>
Lagertemperatur:	-20 °C...60 °C	<i>Storage temperature:</i>	<i>-20 °C...60 °C</i>
Lieferumfang:	- USB Kabel - Garantiekarte	<i>Shipment:</i>	- USB cable - Warranty card
Verpackung:	Farbige Faltschachtel	<i>Package:</i>	<i>Coloured folding box</i>