



## ECONOMY RANGE

## 3.81mm pitch pluggable rising clamp terminal blocks

## Product overview

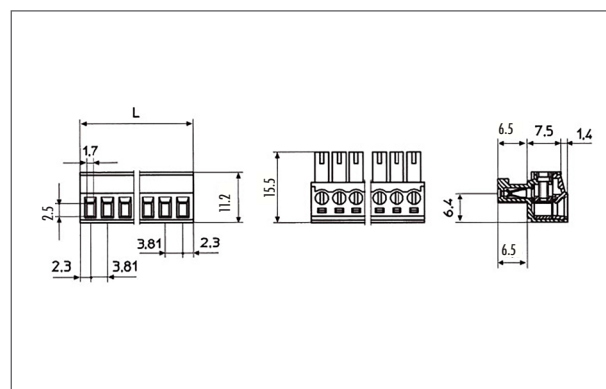
- 2-12 pole solid block
- Up to 20 poles available
- Pluggable male-female connectors
- Professional rising clamp terminals
- Closed headers
- Polarised mouldings
- Moulded in green UL94-V0 flame retardant PA66
- 0.13-1.3mm<sup>2</sup> (26-16AWG) solid & stranded cable
- Captive screws
- Guided pin alignment
- approved

## SPECIFICATION

|                           |                              |
|---------------------------|------------------------------|
| Rating                    | 8A 125 V                     |
| Insulation resistance     | 5000M $\Omega$ /1000V        |
| Withstand voltage         | AC2000V/1min                 |
| Contact resistance        | 20m $\Omega$                 |
| Working temperature       | -33°C to +120°C              |
| Mouldings                 | UL94-V0 flame retardant PA66 |
| Wire protector            | Tin plated                   |
| Screw/torque              | M2 steel, tin plated 0.2Nm   |
| Recommended PCB hole size | $\phi$ 1.4mm                 |

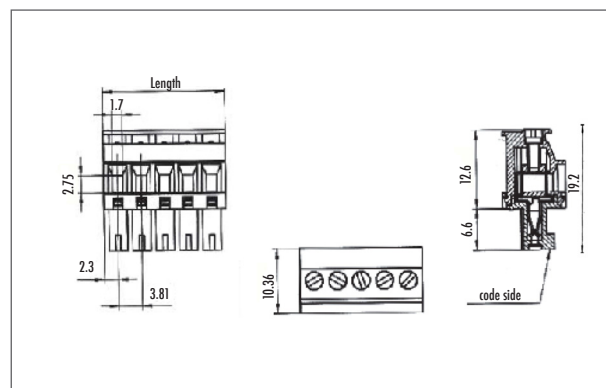
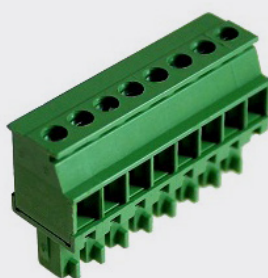
| PART NO.    | POLES | LENGTH |
|-------------|-------|--------|
| CTB922HE/2  | 2     | 8.4mm  |
| CTB922HE/3  | 3     | 12.2mm |
| CTB922HE/4  | 4     | 16mm   |
| CTB922HE/5  | 5     | 19.8mm |
| CTB922HE/6  | 6     | 23.7mm |
| CTB922HE/7  | 7     | 27.5mm |
| CTB922HE/8  | 8     | 31.3mm |
| CTB922HE/9  | 9     | 35.1mm |
| CTB922HE/10 | 10    | 38.9mm |
| CTB922HE/11 | 11    | 42.7mm |
| CTB922HE/12 | 12    | 46.5mm |

CTB922HE



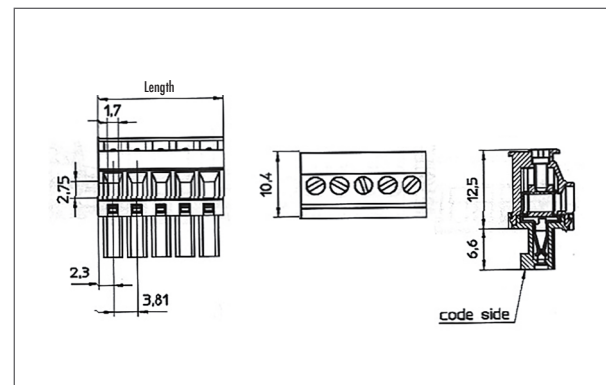
| PART NO.     | POLES | LENGTH |
|--------------|-------|--------|
| CTB922VE/2S  | 2     | 8.4mm  |
| CTB922VE/3S  | 3     | 12.2mm |
| CTB922VE/4S  | 4     | 16mm   |
| CTB922VE/5S  | 5     | 19.8mm |
| CTB922VE/6S  | 6     | 23.7mm |
| CTB922VE/7S  | 7     | 27.5mm |
| CTB922VE/8S  | 8     | 31.3mm |
| CTB922VE/9S  | 9     | 35.1mm |
| CTB922VE/10S | 10    | 38.9mm |
| CTB922VE/11S | 11    | 42.7mm |
| CTB922VE/12S | 12    | 46.5mm |

CTB922VE S



| PART NO.     | POLES | LENGTH |
|--------------|-------|--------|
| CTB922VE/2R  | 2     | 8.4mm  |
| CTB922VE/3R  | 3     | 12.2mm |
| CTB922VE/4R  | 4     | 16mm   |
| CTB922VE/5R  | 5     | 19.8mm |
| CTB922VE/6R  | 6     | 23.7mm |
| CTB922VE/7R  | 7     | 27.5mm |
| CTB922VE/8R  | 8     | 31.3mm |
| CTB922VE/9R  | 9     | 35.1mm |
| CTB922VE/10R | 10    | 38.9mm |
| CTB922VE/11R | 11    | 42.7mm |
| CTB922VE/12R | 12    | 46.5mm |

CTB922VE R

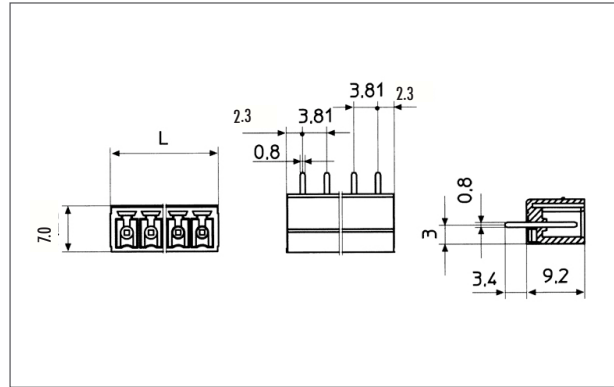




## ECONOMY RANGE

| PART NO.    | POLES | LENGTH  |
|-------------|-------|---------|
| CTB932VE/2  | 2     | 8.41mm  |
| CTB932VE/3  | 3     | 12.22mm |
| CTB932VE/4  | 4     | 16.03mm |
| CTB932VE/5  | 5     | 19.84mm |
| CTB932VE/6  | 6     | 23.65mm |
| CTB932VE/7  | 7     | 27.46mm |
| CTB932VE/8  | 8     | 31.27mm |
| CTB932VE/9  | 9     | 35.08mm |
| CTB932VE/10 | 10    | 38.89mm |
| CTB932VE/11 | 11    | 42.7mm  |
| CTB932VE/12 | 12    | 46.51mm |

CTB932VE



| PART NO.    | POLES | LENGTH  |
|-------------|-------|---------|
| CTB932HE/2  | 2     | 8.41mm  |
| CTB932HE/3  | 3     | 12.22mm |
| CTB932HE/4  | 4     | 16.03mm |
| CTB932HE/5  | 5     | 19.84mm |
| CTB932HE/6  | 6     | 23.65mm |
| CTB932HE/7  | 7     | 27.46mm |
| CTB932HE/8  | 8     | 31.27mm |
| CTB932HE/9  | 9     | 35.08mm |
| CTB932HE/10 | 10    | 38.89mm |
| CTB932HE/11 | 11    | 42.7mm  |
| CTB932HE/12 | 12    | 46.51mm |

CTB932HE

