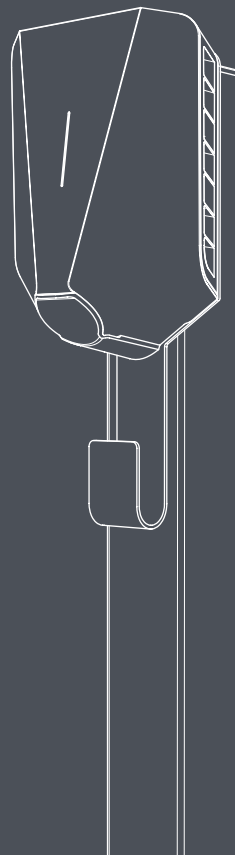


easee



AUTHORIZED  
PERSONNEL  
ONLY

Installation guide

# Easee Base

## Download your language

In order to avoid unnecessary waste of resources by printing the Installation guide in different languages, we have chosen to include only English and make other languages available on our website.

You can download the installation instructions in other languages here<sup>1</sup>

- **<http://easee.support>**
- Join **Easee Owners Club** on facebook, and get valuable product insight first!
- **Follow us** on Facebook and Instagram.

<sup>1</sup> We cannot guarantee that all languages are available at this time.

---

THIS DOCUMENT CONTAINS  
INFORMATION THAT IS SUBJECT  
TO CHANGE WITHOUT NOTICE.

The latest version of this  
publication can be downloaded at  
[easee.no](http://easee.no)

No part of this publication may be  
reproduced or transmitted in any  
form or by any means, electronic  
or mechanical, including, but not  
limited to, copying, recording,  
retrieving data, or computer  
networks without the written  
permission of Easee AS.

Easee and all other Easee product  
names and slogans are trademarks  
or registered trademarks of  
Easee AS. Easee products can be  
protected by one or more patents.

All other products and services  
mentioned may be trademarks or  
service marks of their respective  
owners.

April 2020 - Version 1.00  
© 2018-2020 by Easee AS.  
All rights reserved.

## Easee Base

The Easee Base is a modular charging post for mounting up to four Easee Charging Robots.

With Easee Base, it is possible to choose between three different configurations. One-way setup where only one charger is mounted, 2-way setup with two chargers installed and finally 4-way setup where there is a charger on all sides of the post.

With three configurations in one design, they share many common parts. Only a few parts are specific to each type of layout.



**NB!** Turn off the power before beginning the installation. Use extreme caution and follow instructions carefully.

---

## Table of contents

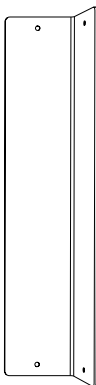
<b>Common parts</b>	4
<b>1-Way</b>	6
<b>2-Way</b>	10
<b>4-Way</b>	14
<b>Power rail</b>	22
<b>Recommendations</b>	35

# Common parts

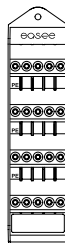
Column



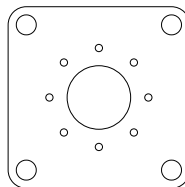
Side panel



Power rail



Adapter plate



Ground connection plate

---

Screws, washers and nut



x1



x4



x4

Common parts

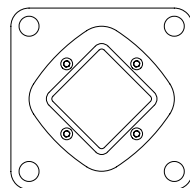
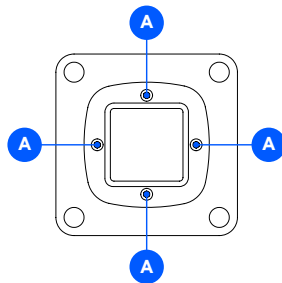
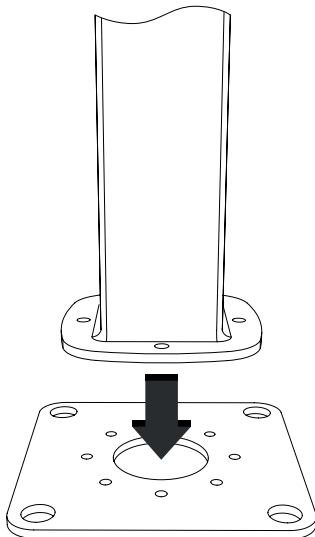
## Adapter plate

Attach the foundation of the column to the Adapter plate with 4 hex socket screws. Recommended torque is 30-40Nm.

**INFO!** It can be mounted in 45° increments to get the correct direction.

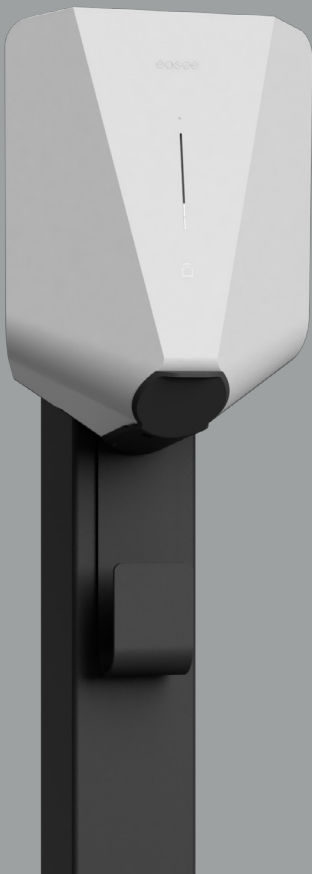


A



Column at a 45° angle

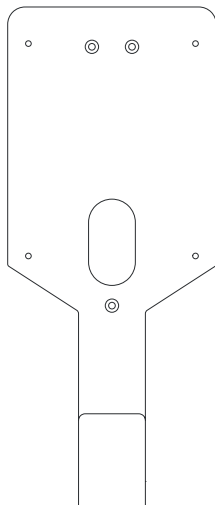
1-Way



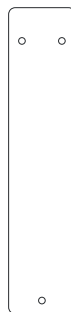
1-Way

# Parts

Mounting plate



Blind cover



---

Screws



x6



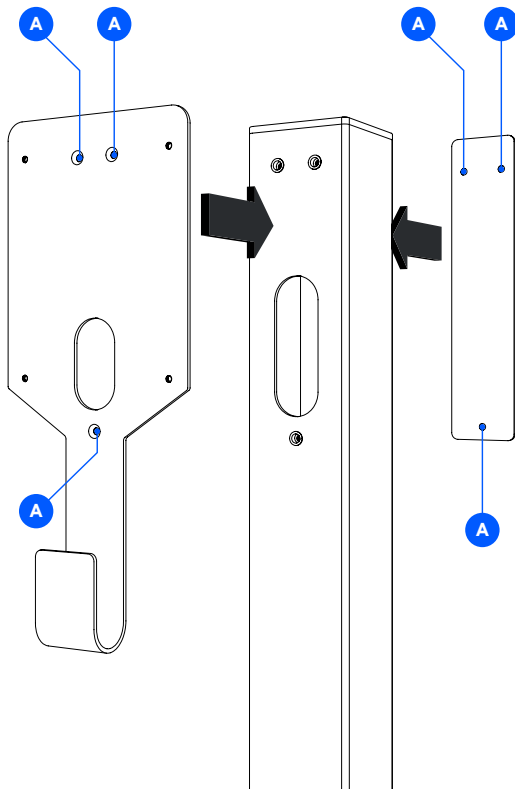
x4

# 1

1-Way

## Plate and cover

Attach Mounting plate and Blind cover to the column with 3 countersink screws each (6 screws total).

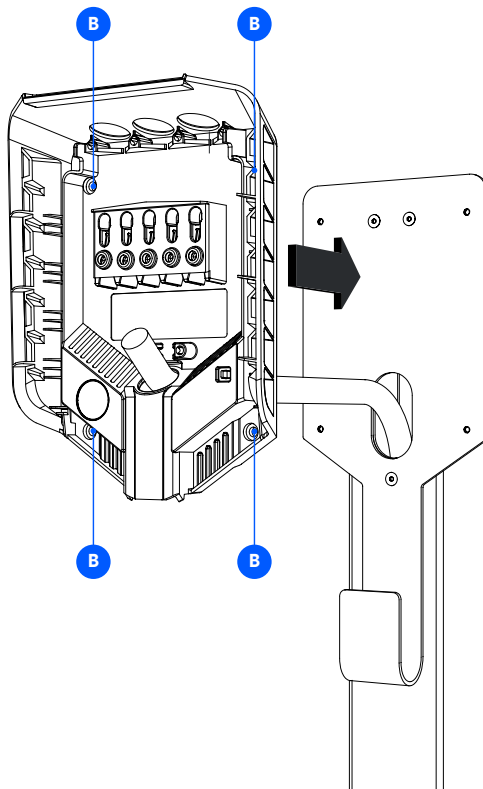


A



# 2 <sup>1-Way</sup> Backplate

Thread the cable through the hole in the column and the Easee charger backplate before attaching it with 4 button screws.



B

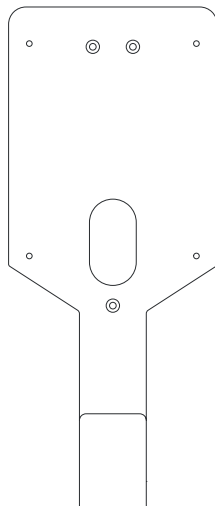
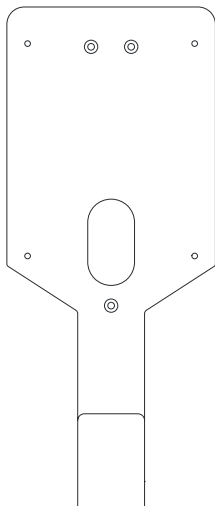
2-Way



2-Way

# Parts

Mounting plates



---

Screws



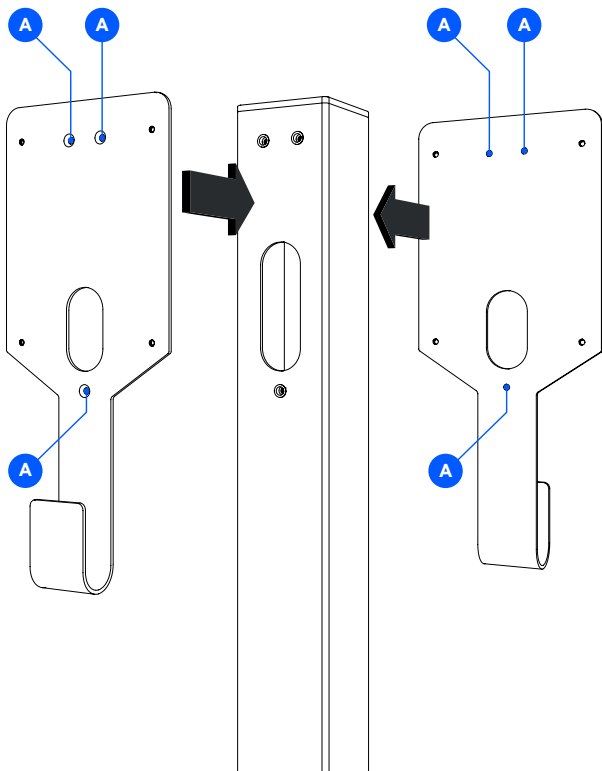
x6



x8

# 1 2-Way Plates

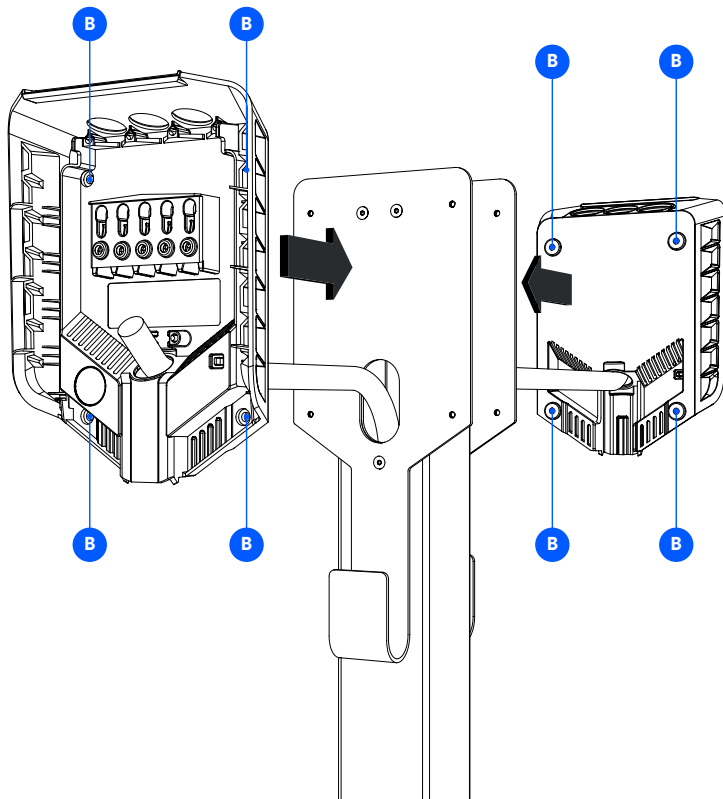
Attach the Mounting plates to the column with 3 countersink screws each (6 screws total).



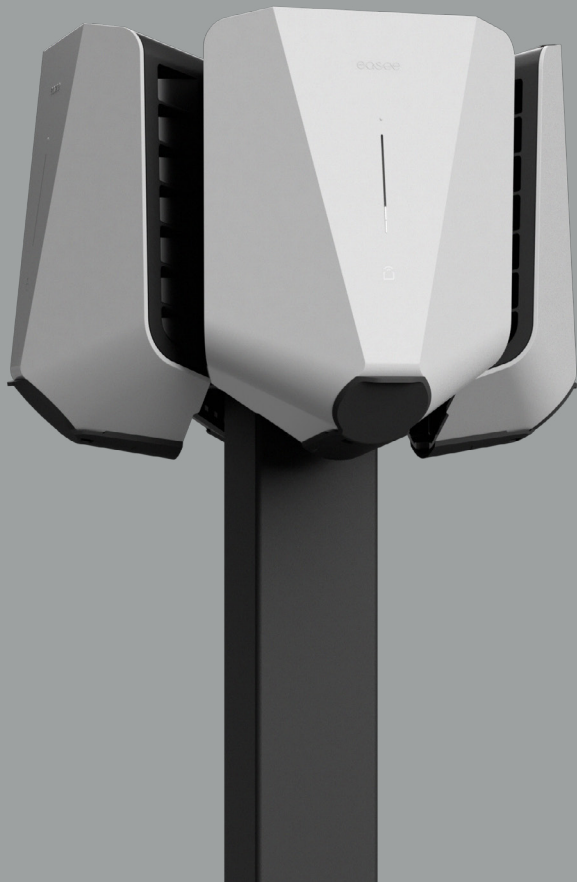
A

# 2 2-Way Backplates

Thread the cables through each hole in the column and the Easee chargers backplates before attaching them with 4 button screws (8 screws total).



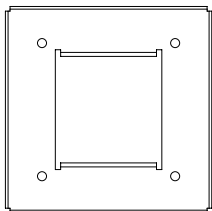
4-Way



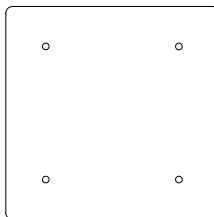
4-Way

# Parts

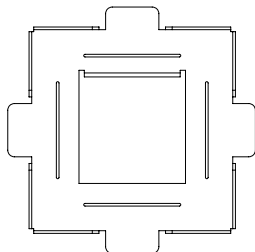
Top frame



Top plate



Bottom frame



---

Screws



x6



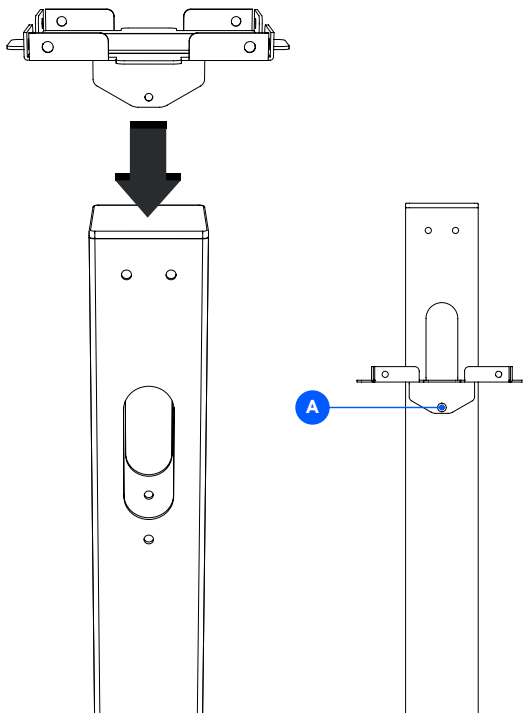
x20

# 1

4-Way

## Bottom frame

Slide the Bottom frame over the column and fasten it to the lower threaded hole with 1 countersink screw on each side (2 screws total).

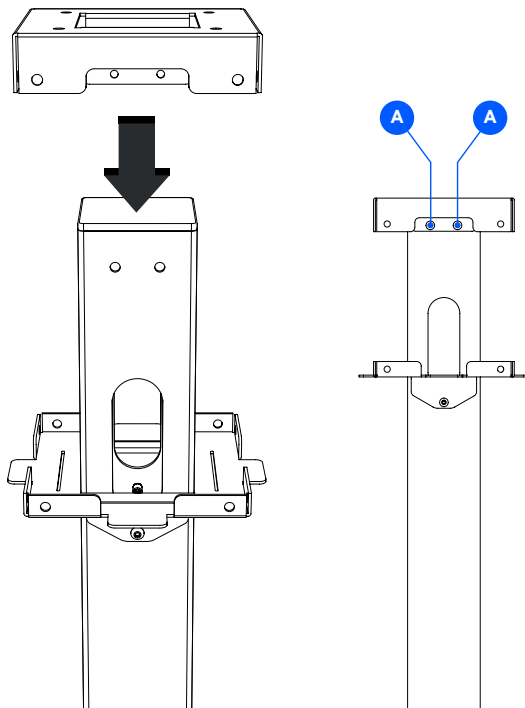


A



# 2 <sup>4-Way</sup> Top frame

Attach the Top frame to the top two threads using 2 countersink screws on each side of the column (4 screws in total).

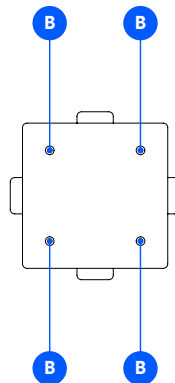
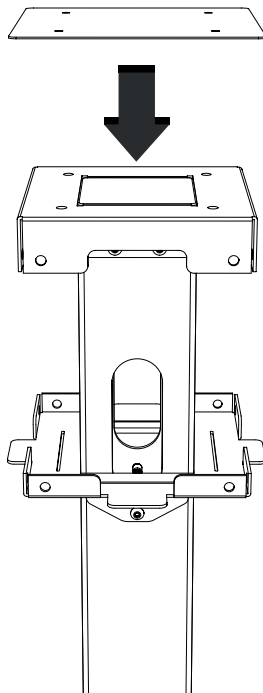


A

# 3 <sup>4-Way</sup> Top plate

Cover the Top frame with the Top plate and fix it with 4 button screws.

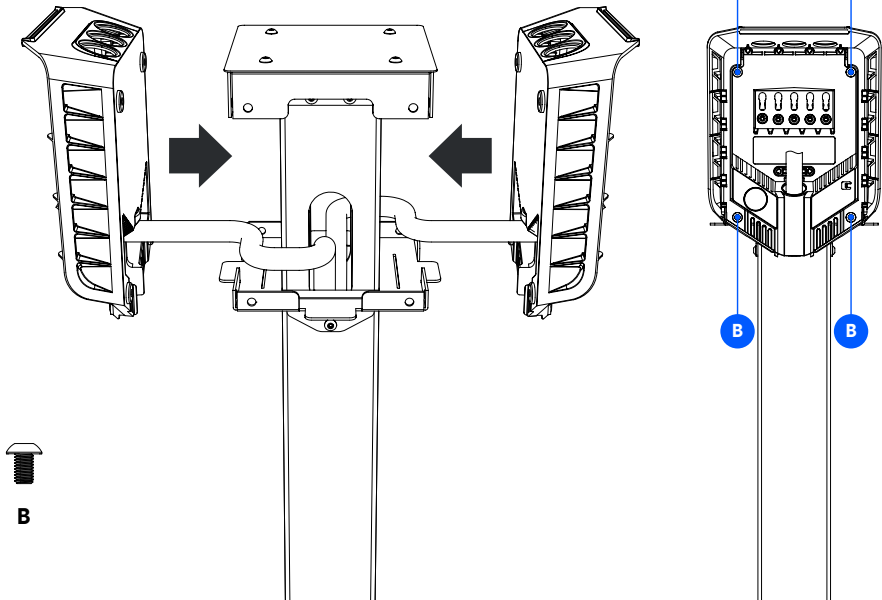
**NB!** Make sure that all four cables are pulled through the column holes (2 on each side) before attaching the chargers backplates.



# 4 <sup>4-Way</sup> First 2 chargers

Now attach the first 2 Easee chargers backplates to the sides perpendicular to the column openings with 4 button screws each (8 screws total).

**NB!** Pull the cable through the hole in the backplates before attaching them.



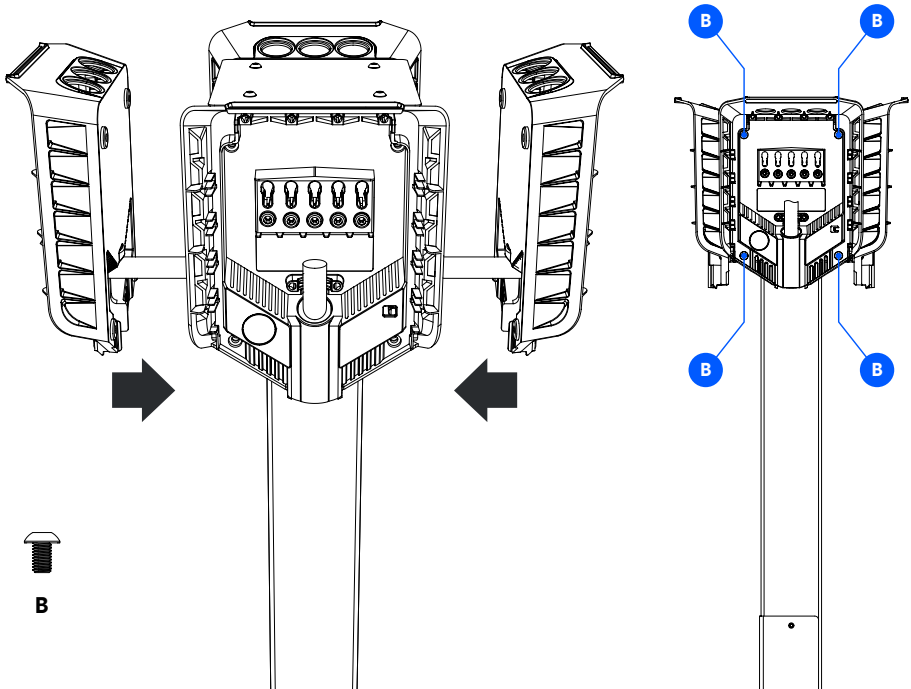
# 5

4-Way

## Last 2 chargers

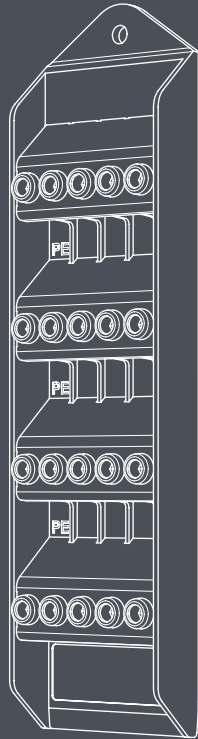
Attach the last 2 Easee chargers backplates to the column with 4 button screws each (8 screws total).

**NB!** Before installing the electronics in the backplates, they must all be programmed - **please check the Quick Guide that came with the Charging Robots.**



This page intentionally left blank.

# Power rail



## Before connecting

The Power rail is a connection box that allows multiple charging posts to be connected in series.

Please pay attention to the earthing system of the charging post, which is described carefully in the following pages.



**The Power rail is a product to be installed by an authorized electrician, and a declaration of conformity must always be provided upon completion by your installer.**



**NB!** Turn off the power before beginning the wiring. Use extreme caution and follow instructions carefully.

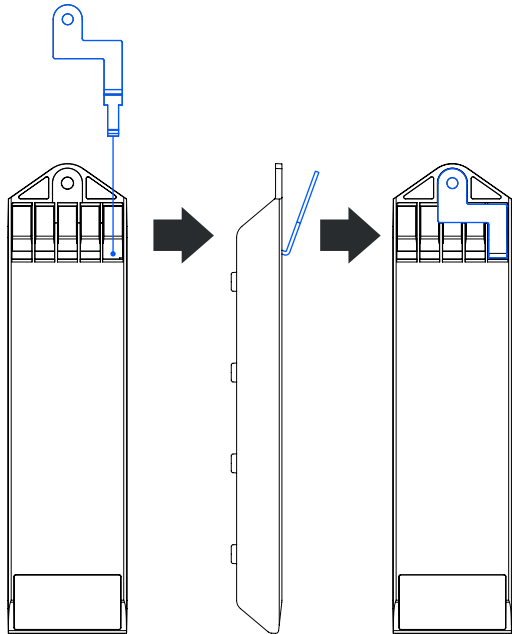
# 1

Power rail

## Ground connection plate

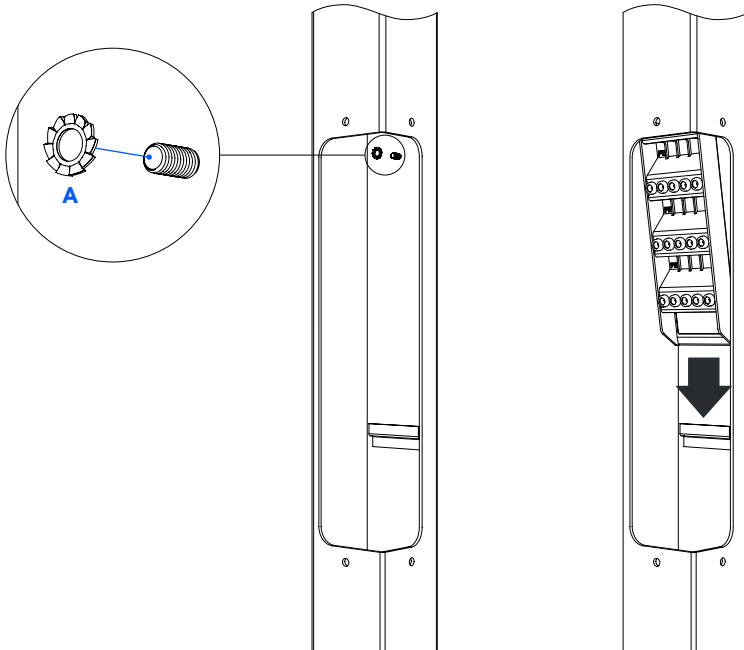
Before installing the Power rail make sure to apply the ground connection plate. The plate is essential for connecting the post to the protective earth (PE).

1. Make sure the top PE terminal screw is open, then wedge the end of the plate into the terminal from the back. The ground connection plate should lie flat to the plastic housing.





2. Insert the serrated washer on the rod inside the column. It should be placed between the metal column and the Power rail.
3. Slide the Power rail with the ground connection plate inside the column and latch the bottom of the rail into the catch.

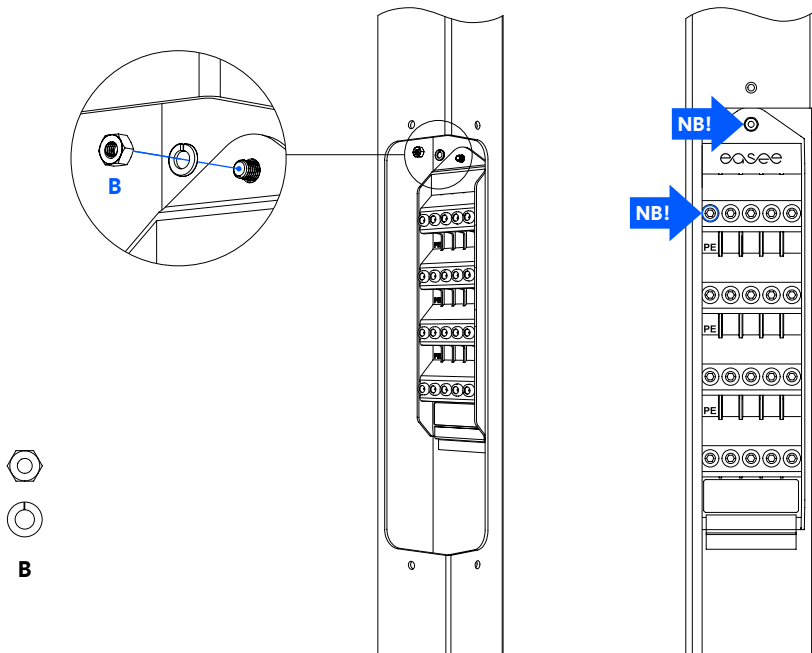


**A**

4. Fasten the grounding nut with the spring washer on the rod.

**NB!** In order to complete the PE connection, the grounding nut has to be fastened and the top PE terminal screw has to be tightened (regardless of whether there is a wire in it or not).

**Important! Do not forget this step!**

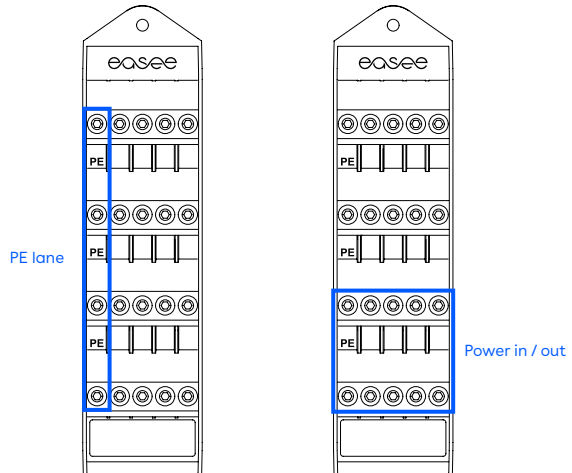


# 2 Power rail Terminals

The ground connection plate connects the entire leftmost lane to the metal column, so it is very important that this lane is **only** used for PE connections.

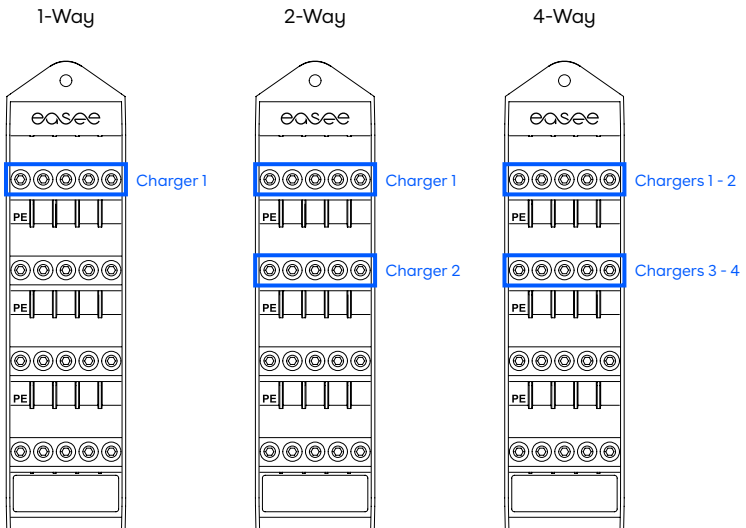
We recommend using the two lower terminal sets for the main power cables.

One set of terminals is used for power in and the other is used for power out, if you want to connect another charging post on the same cable. Wire size up to 25mm<sup>2</sup>.



We recommend using the two upper terminal sets for the charger cables.

For a single charger, only one set of terminals is used, for two chargers both sets of terminals are used and for four chargers two wires have to share each terminal in both sets. Wire size up to 6mm<sup>2</sup>.

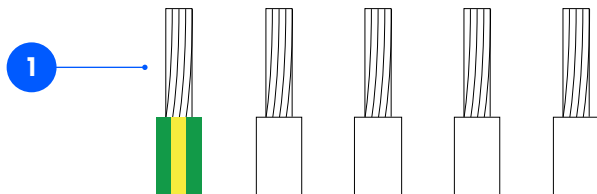
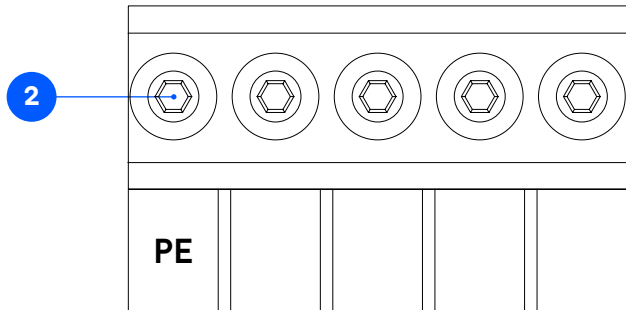


# 3 Power rail Wiring

The Power rail has 5 lanes. This allows support for TN and IT three and one phase electrical grids.

1. All cable cores must be stripped back allowing 12mm exposed conductor. If needed, we recommend using insulated cable end sleeves.
2. Tighten the screws with a torque of 5Nm.

**NB!** Terminations should be visually and mechanically inspected before mounting the Side panel.

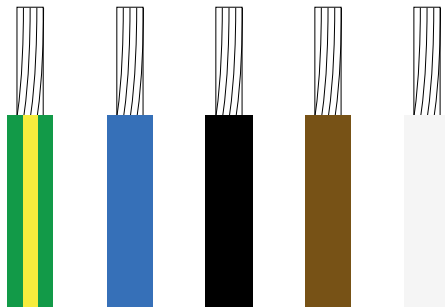
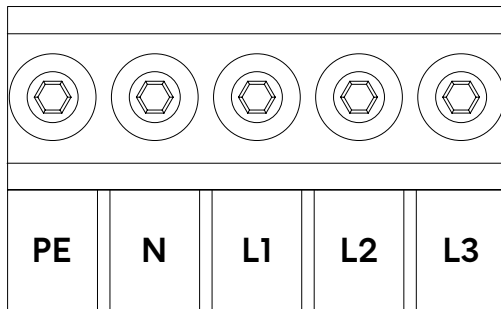


Wiring

## TN 3-phase

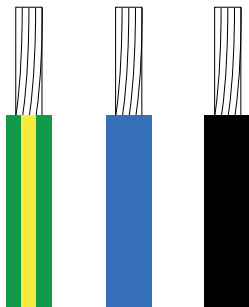
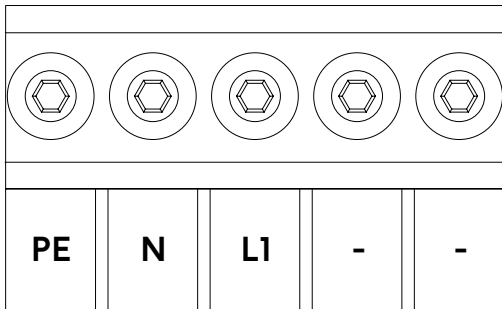
TN is the most common grid type in Europe. It uses five conductors to provide both 230V and 400V. This makes it very efficient and therefore the preferred grid type for charging EV's.

Depending of the age and nationality of your cables, the colours of the cables can vary from the illustration below. Therefore, please make sure that the conductors are correctly terminated before applying power.



Wiring

# TN 1-phase

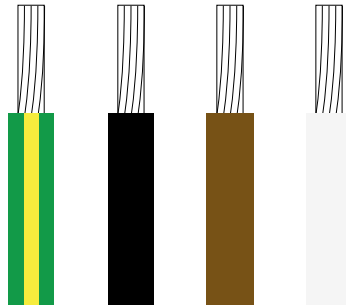
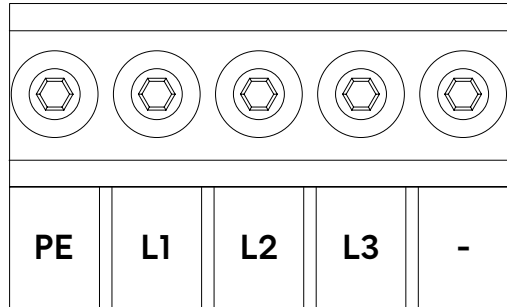


Wiring

## IT 3-phase

IT grid is mostly used in Norway and Albania, but it can also be found in Belgium, France and Spain. IT grid has no neutral connector and uses only 4 conductors. Therefore it can only provide 230V (across the phases).

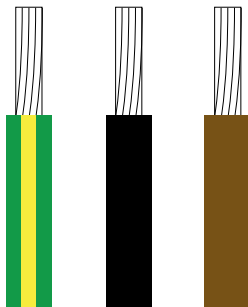
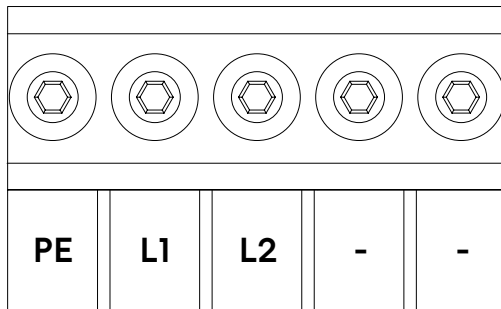
Depending of the age and nationality of your cables, the colours of the cables can vary from the illustration below. Therefore, please make sure that the conductors are correctly terminated before applying power.





Wiring

# IT 1-phase

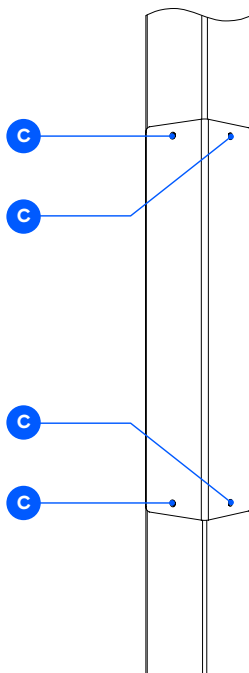


# 4

Power rail

## Side panel

After connecting all wires to the Power rail, it is time to mount the Side panel with the 4 button screws.



# Recommendations

## Foundation

This charging post usually needs a mechanical foundation to be installed. The Adapter plate is compatible with most 160x160 center to center foundations. We recommend foundations similar to Ørstafundament: H=750mm c/c 160mm.

In some situations, it is also possible to use the smaller base of the column directly without the Adapter plate, in this case using a 70x70 center to center footprint.

---

## Screws

For all the countersink and button screws we recommend 7-9Nm of torque.

All screws except the “U6 Hex Socket” fit a T25 tool. This also goes for the terminal screws in the Power rail as well as in the Easee charger.

---

## Protection

Although this charging post can withstand extreme weather conditions, we do not recommend using high pressure water jet for cleaning.

It is advisable to have an extra protection around the post when mounted in an open parking space.

---

easee

Easee AS  
Professor Olav Hanssens vei 7A  
4021 Stavanger, Norway