

## CUBE67 I/O EXTENSION MODULE K3

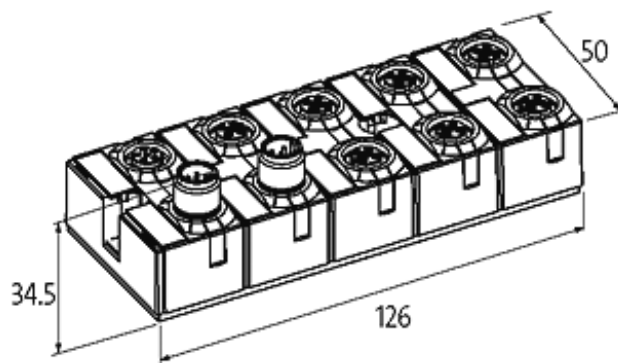
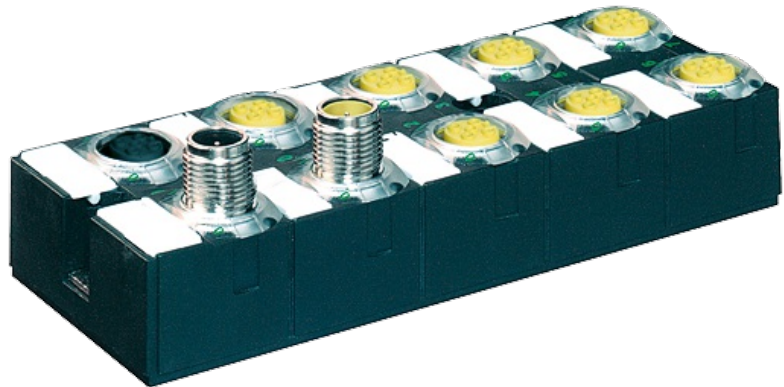
12 digital, passive safety outputs

Expansion module - Safety  
DO6/DO6 - (E) 6×M12 (K3)

For connection cables please see chapter "Connection Technology" All housings are fully potted

### [Link to Product](#)

#### Illustration



Product may differ from Image

#### Approvals



#### Internal communication

Current consumption	max. 50 mA
LED display	US: sensor supply and internal supply voltage (green: OK); UA: actuator supply (green: OK)

### Connections

Fieldbus	via internal system connection
Sensor-system/actuator supply	via internal system connection (max. 2×4 A)
I/O ports	M12 (male) 5-pole, A-coded

### General data

Protection	IP67
Mounting method	2-hole screw mounting
Temperature range	0...+55 °C (storage temperature -20...+70 °C)
Dimensions H × W × D	126×50×34.5 mm

### Output

Actuator supply UA	24 V DC (EN 61131-2), 2 circuits, (max. 2 × 4 A)
Switching current per output	max. 1.6 A (short-circuit and overload protected)

### Diagnostic

Communication status	via LED
Diagnostic via LED	per module and channel
Diagnostic via BUS	per module and channel
Monitoring - under voltage	yes
Monitoring - no voltage	yes
Short circuit and overload	yes
Actuator warning	per channel via LED and BUS

### Commercial data

country of origin	DE
customs tariff number	85176200
minimum order quantity	1