

CUBE67 I/O EXTENSION MODULE, VALVE-INTERFACE

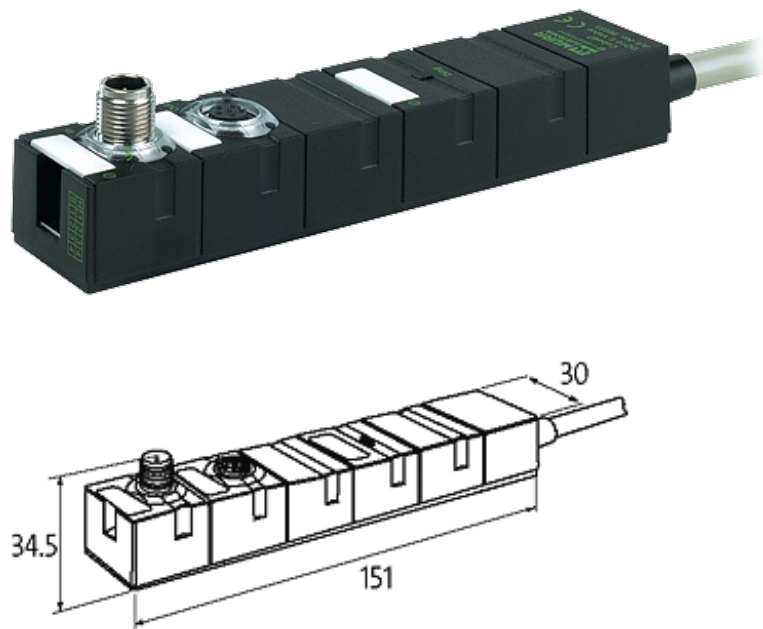
For Euchner ID Sensor

Expansion module
DIO8 - (E) 0.2 m (M12)
for EUCHNER ID Sensor
Multifunctional I/Os

Housing fully potted. For connection cables please see chapter "Connection Technology"

[Link to Product](#)

Illustration



Product may differ from Image

Approvals



Input

Sensor supply US	24 V DC (EN 61131-2), max. 200 mA
Type	EUCHNER Type CIT 3PL1M30-STR
Input filter	1 ms

Internal communication

Current consumption	max. 30 mA
---------------------	------------

LED display

US: sensor supply and internal supply voltage (green: OK); UA: actuator supply (green: OK)

Connections

Fieldbus	via internal system connection
Sensor-system/actuator supply	via internal system connection (max. 2×4 A)
I/O ports	Cable (0.2 m) / M12 (male) 5-pole, A-coded

Cables

No./diameter of wires	8 × 0.25 mm ²
Material (jacket)	PUR

General data

Protection	IP67
Mounting method	2-hole screw mounting
Temperature range	0...+55 °C (storage temperature -20...+75 °C)
Dimensions H × W × D	150×30×34.5 mm

Parameterization

I/O channels	Input/output
--------------	--------------

Output

Actuator supply UA	24 V DC (EN 61131-2), via system connection (max. 4 A)
Switching current per output	EUCHNER Type CIT 3PL1M30-STR

Diagnostic

Communication status	via LED
Diagnostic via LED	per module
Diagnostic via BUS	per module and channel
Monitoring - under voltage	yes
Monitoring - no voltage	yes
Short circuit and overload	yes
Actuator warning	per channel via BUS

Commercial data

country of origin	DE
customs tariff number	85176200
minimum order quantity	1