



RFID NON-CONTACT SAFETY SWITCH  
 RECTANGULAR 25MM X 91MM, FAMILY-CODED  
 WITH M12 CONNECTOR 8-POLE AND MAGNETIC  
 LATCHING DELIVERY STATE: READY FOR  
 OPERATION, ACTUATOR WITH MAGNETIC  
 LATCHING 18 N, ORDER SEPARATELY 3SE6310-  
 1BC01

Product designation		RFID safety switch
Design of the product		RFID safety cut-out switch

**General technical data:**

<b>Product function</b>		
<ul style="list-style-type: none"> <li>• positive opening</li> </ul>		No
<b>Shock resistance</b>		
<ul style="list-style-type: none"> <li>• acc. to IEC 60068-2-27</li> </ul>		Sinusoidal half-wave 30g / 11 ms
<b>Vibration resistance</b>		
<ul style="list-style-type: none"> <li>• acc. to IEC 60068-2-6</li> </ul>		10 ... 55 Hz: 1 mm
<b>Protection class IP</b>		IP65, IP67, IP69k

**Enclosure:**

<b>Material of the enclosure</b>		plastic
<b>Material of cable sheath</b>		PVC

**Drive Head:**

<b>Design of the operating mechanism</b>		RFID
<b>Design of the switching function</b>		positive switching

**Connections/ Terminals:**

<b>Type of electrical connection</b>		connector M12
--------------------------------------	--	---------------

**Safety related data:**

<b>Safety Integrity Level (SIL) acc. to IEC 61508</b>		SIL3
<b>Performance level (PL) acc. to EN ISO 13849-1</b>		e
<b>Category acc. to EN 954-1</b>		4

**Ambient conditions:**

<b>Ambient temperature</b> • during operation	°C	-25 ... +70
--	----	-------------

<b>Supply voltage:</b>		
<b>Supply voltage</b>	V	26.4 ... 20.4

<b>Inputs/ Outputs:</b>		
<b>Output current</b>	A	0.5
<b>Output current at safety-related output maximum</b>	A	0.25

<b>Display:</b>		
<b>Evaluation version required</b>		yes

<b>Installation/ mounting/ dimensions:</b>		
<b>Mounting type</b>		screw fixing

**Certificates/ approvals:**

<b>General Product Approval</b>	<b>Functional Safety/Safety of Machinery</b>	<b>Declaration of Conformity</b>	<b>other</b>
---------------------------------	--	----------------------------------	--------------



[Type Examination Certificate](#)



[Declaration of Conformity](#)

UL

EG-Konf.

**Further information**

**Information- and Downloadcenter (Catalogs, Brochures,...)**

<http://www.siemens.com/industrial-controls/catalogs>

**Industry Mall (Online ordering system)**

<http://www.siemens.com/industrymall>

**Cax online generator**

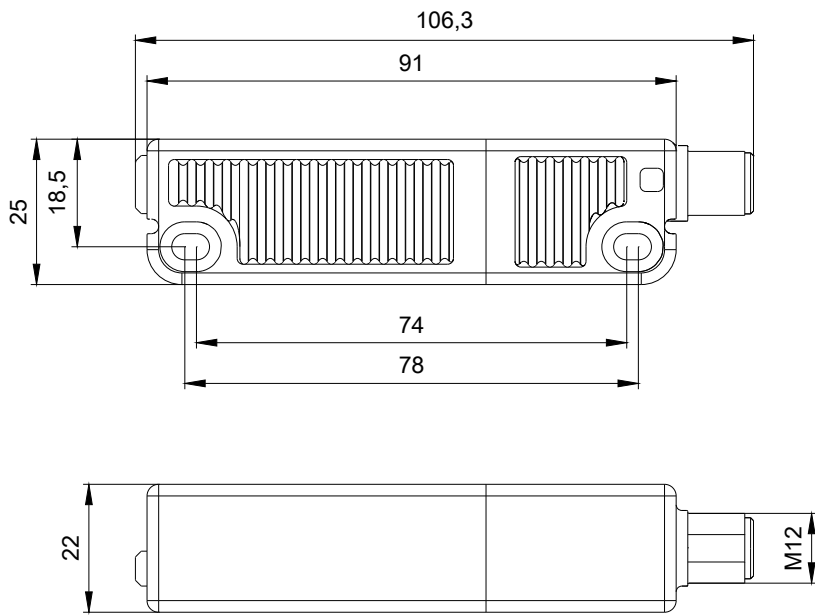
<http://support.automation.siemens.com/WW/CAXorder/default.aspx?lang=en&mlfb=3SE63151BB01>

**Service&Support (Manuals, Certificates, Characteristics, FAQs,...)**

<http://support.automation.siemens.com/WW/view/en/3SE63151BB01/all>

**Image database (product images, 2D dimension drawings, 3D models, device circuit diagrams, EPLAN macros, ...)**

[http://www.automation.siemens.com/bilddb/cax\\_de.aspx?mlfb=3SE63151BB01&lang=en](http://www.automation.siemens.com/bilddb/cax_de.aspx?mlfb=3SE63151BB01&lang=en)



last modified:

09.03.2015