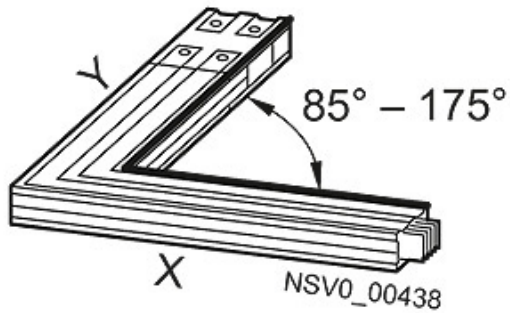


BD2A-400-LR-X*/Y*-G* ELBOW RIGHT X/Y 0,36M-1,25M 160 A-400A WINKEL 85 GRAD-175 GRAD



Model		
Product designation		L unit (junction unit) for BD2 busbar trunking system
Protection class		
Protection class IP		IP52
Main circuit		
Operating frequency / Rated value		
• minimum	Hz	50
• maximum	Hz	60
Operating voltage / with AC		
• at 50 Hz / Rated value / maximum	V	690
• at 60 Hz / Rated value / maximum	V	690
Operating current		
• for circuit 1 / with AC / at 50 Hz / Rated value / maximum	A	400
• for circuit 1 / with AC / at 60 Hz / Rated value / maximum	A	400
Connections		
Conductor cross section / of the (PE)N	mm ²	205
Mechanical Design		
Height	mm	68
Width	mm	1 250
Mounting type		ceiling / wall
Material / of the busbar		aluminium



Further information

Information- and Downloadcenter (Catalogs, Brochures,...)

<http://www.siemens.com/lowvoltage/catalogs>

Industry Mall (Online ordering system)

<https://eb.automation.siemens.com/mall/en/WW/Catalog/Product/BVP:261869>

Service&Support (Manuals, Certificates, Characteristics, FAQs,...)

<http://support.automation.siemens.com/WW/view/en/BVP:261869/all>

Image database (product images, 2D dimension drawings, 3D models, device circuit diagrams, ...)

http://www.automation.siemens.com/bilddb/cax_en.aspx?mfb=BVP:261869

CAX-Online-Generator

<http://www.siemens.com/cax>

Tender specifications

<http://ausschreibungstexte.siemens.com/tiplv>

last modified:

16.03.2015