

**Miniature Brass Body Regulator
Water and Compressed Air Service
1/8" and 1/4" PTF Port Sizes**

- Compact design, corrosion resistant construction
- Brass body with choice of plastic or brass bonnet
- Plastic bonnet equipped with low torque, non-rising pressure adjusting knob. Snap action knob locks pressure setting when pushed in
- Brass bonnet equipped with pressure adjusting screw
- Non-relieving models for air and water service
- Relieving models for air service allow reduction of outlet pressure even when the system is dead-ended
- Can be disassembled without the use of tools or removal from the air or water line



Ordering Information. Models listed include PTF threads, plastic bonnet with knob adjustment, non-relieving diaphragm, 5 to 100 psig (0.3 to 7 bar) outlet pressure adjustment range†, and without gauge.

Port	Model	Flow* scfm (dm ³ /s)	Flow** gpm (lpm)	Weight lb (kg)
1/8" PTF	R06-121-NNKA	12 (5.7)	1.3 (4.9)	0.2 (0.09)
1/4" PTF	R06-221-NNKA	12 (5.7)	1.3 (4.9)	0.2 (0.09)

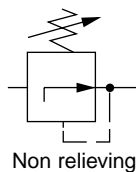
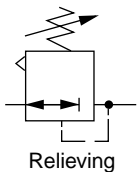
* Approximate flow with 100 psig (7 bar) inlet pressure, 90 psig (6.3 bar) set pressure and a 15 psig (1 bar) droop from set.

** Approximate flow with 100 psig (7 bar) inlet pressure, 60 psig (4 bar) set pressure and a 15 psig (1 bar) droop from set.

Alternative Models

R 0 6 - ★ ★ ★ - ★ ★ ★ ★			
Port Size	Substitute	Threads	Substitute
1/8"	1	PTF	A
1/4"	2	Outlet Pressure Adjustment Range†	Substitute
Bonnet	Substitute	1 to 10 psig (0.1 to 0.7 bar)	A
Plastic	21	5 to 50 psig (0.3 to 3.5 bar)	E
Brass	22	5 to 100 psig (0.3 to 7 bar)	K
Diaphragm	Substitute	5 to 125 psig (0.3 to 8.6 bar)	L
Relieving	R	Gauges	Substitute
Non relieving	N	With	G
		Without	N

† Outlet pressure can be adjusted to pressures in excess of, and less than, those specified. Do not use these units to control pressures outside of the specified ranges.

ISO Symbols


See Section ALE-24 for Accessories



Technical Data

Fluid: Water and compressed air
 Maximum pressure: 400 psig (27 bar)
 Operating temperature
 Water service: 35° to 150°F (2° to 65°C)†
 Air service: -30° to 150°F (-34° to 65°C) *†

* Air supply must be dry enough to avoid ice formation at temperatures below 35°F (2°C).

Typical flow for water service at 100 psig (7 bar) inlet pressure, 60 psig (4 bar) set pressure and a droop of 15 psig (1 bar) from set: 1.3 gpm (4.9 lpm)

Typical flow for compressed air service at 100 psig (7 bar) inlet pressure, 90 psig (6.3 bar) set pressure and a droop of 15 psig (1 bar) from set: 12 scfm (5.7 dm³/s)

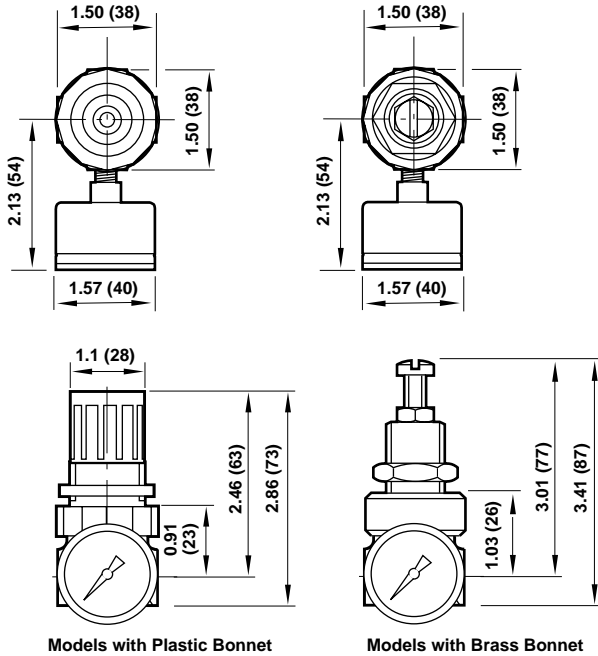
Gauge ports: 1/8" PTF

Materials

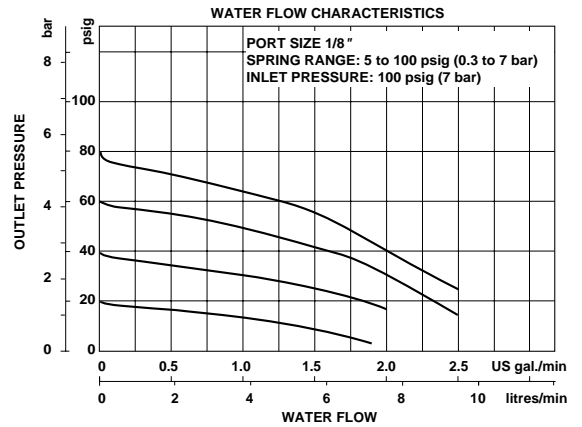
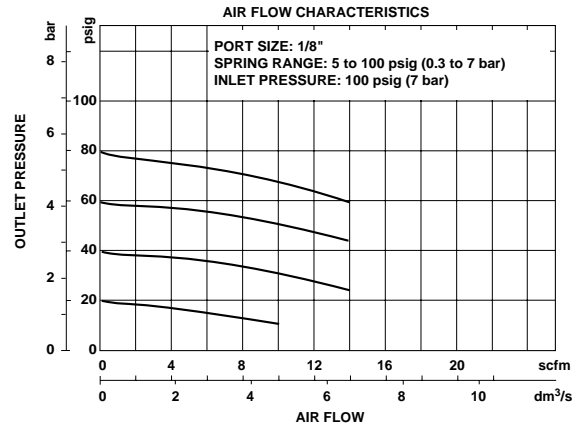
- Body: Brass
- Bonnet
 - Standard: Acetal resin
 - Optional: Brass
- Valve: Brass/nitrile
- Valve seat: Acetal resin
- Elastomers: Nitrile

All Dimensions in Inches (mm)

Panel mounting hole diameter:
 Models with plastic bonnet: 1.19" (30 mm)
 Models with brass bonnet: 0.81" (21mm)
 Maximum panel thickness: 0.25" (6 mm)



Typical Performance Characteristics



Service Kits

Item	Type	Part number
Service kit	Relieving	3407-18
	Non relieving	3407-17

Service kit includes slip ring, diaphragm, standard valve seat with o-ring, valve, valve spring.

† Brass bonnet & body combination max temperature 200°F