

## Crank Handles · with folding handle

24331.0105



### Product Description

#### Material

**Axle part**  
• Steel, blackened

**Handle**  
• Thermoplastic, black, dull

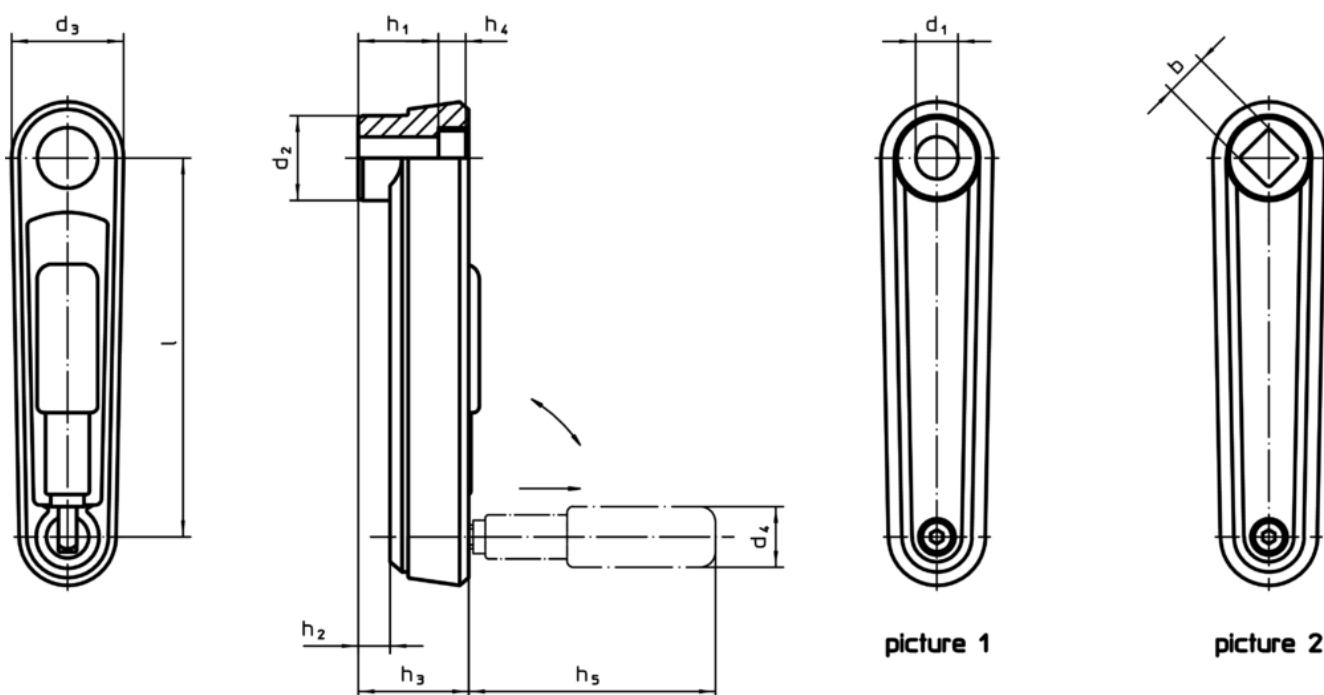
**Handle body**  
• Aluminium, plastic coated, similar to RAL 9005 black, matt structure

**Covering**  
• Plastic, light grey

#### Operation

In the operating position the handle is locked. To move the handle to the rest position, it must be pulled out axially and flipped round.

### Drawing



### Order information

l	d <sub>1</sub> H7	d <sub>2</sub>	d <sub>3</sub>	h <sub>1</sub>	Dimensions					d <sub>4</sub> Cylindrical handle Ø	[g]	Art. No.
					h <sub>2</sub> ~ [mm]	h <sub>3</sub>	h <sub>4</sub>	h <sub>5</sub>				
with smooth bore – picture 1, black												
80	10	23	30	19.5	4	25.5	4.3	43		16	112	24331.0105

## Compliance

### RoHS compliant

Contains lead - compliant according to exceptions 6a / 6b / 6c

### Contains SVHC substances >0,1% w/w

Contains lead - SVHC list [REACH] as of 10.06.2022

### Contains Proposition 65 substances



Lead can cause cancer and reproductive harm from exposure  
<https://www.P65Warnings.ca.gov/>

### Free from Conflict Minerals

This product does not contain any substances designated as "conflict minerals" such as tantalum, tin, gold or tungsten from the Democratic Republic of Congo or adjacent countries.