

DE Montageanleitung

FR Instructions d'installation

CS Návod k instalaci

EN Mounting instruction

IT Istruzioni per l'installazione

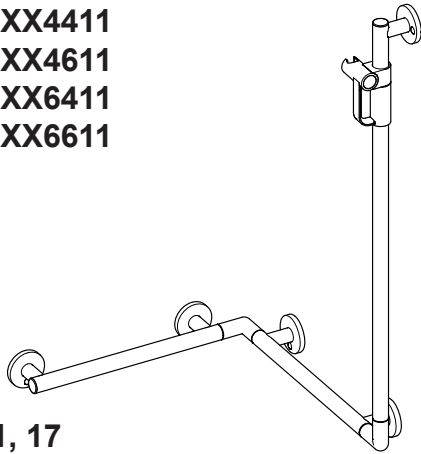
PL Instrukcja montażu

ES Instrucciones de instalación

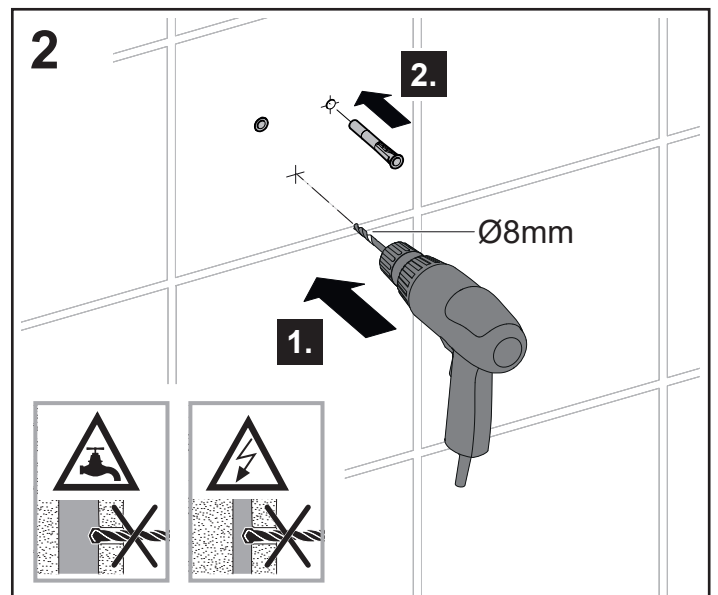
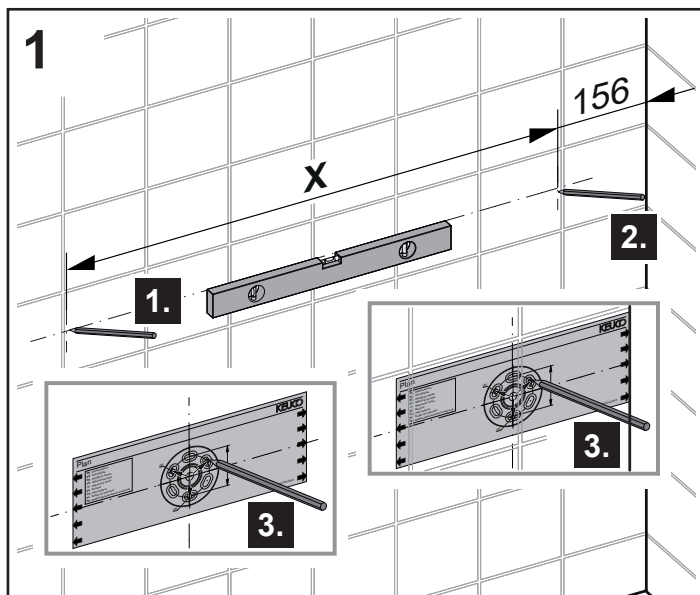
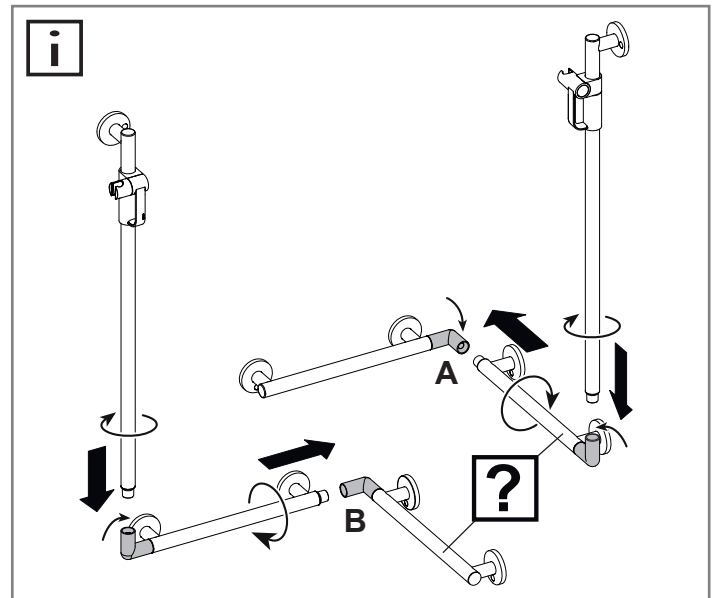
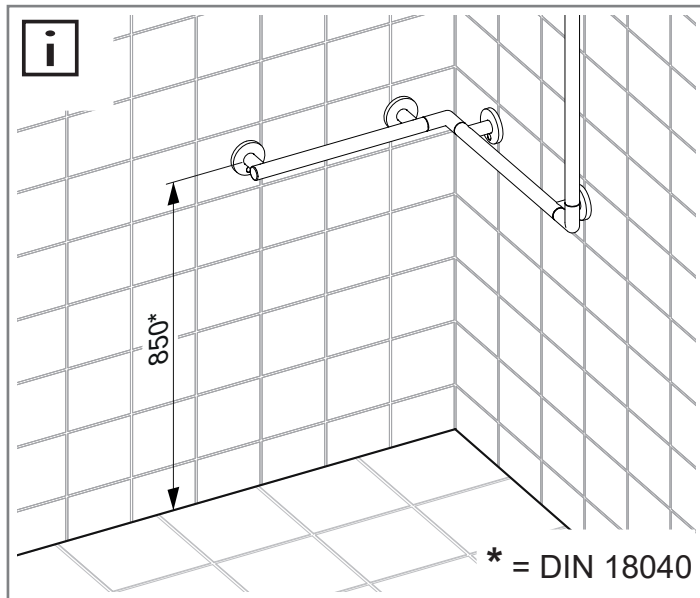
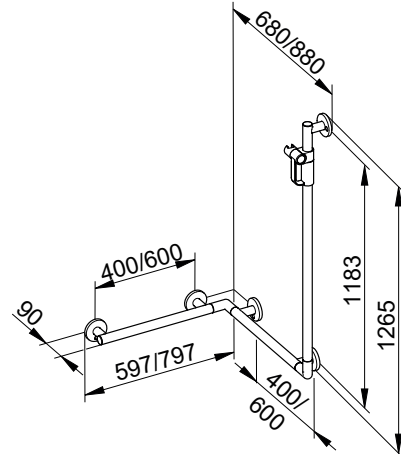
NL Montagehandleiding

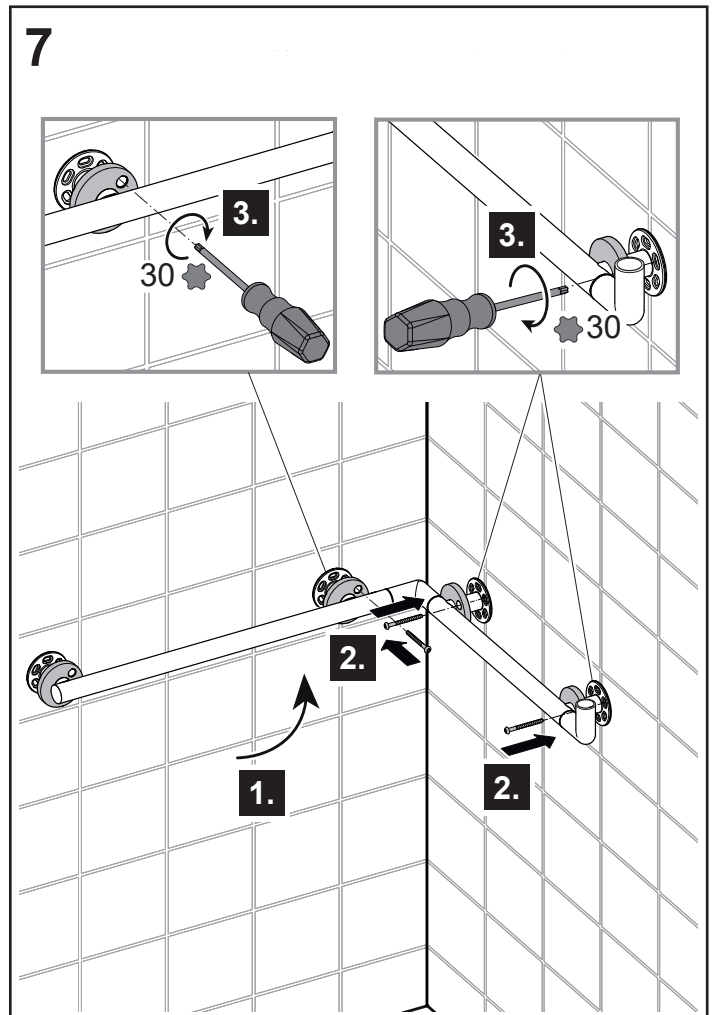
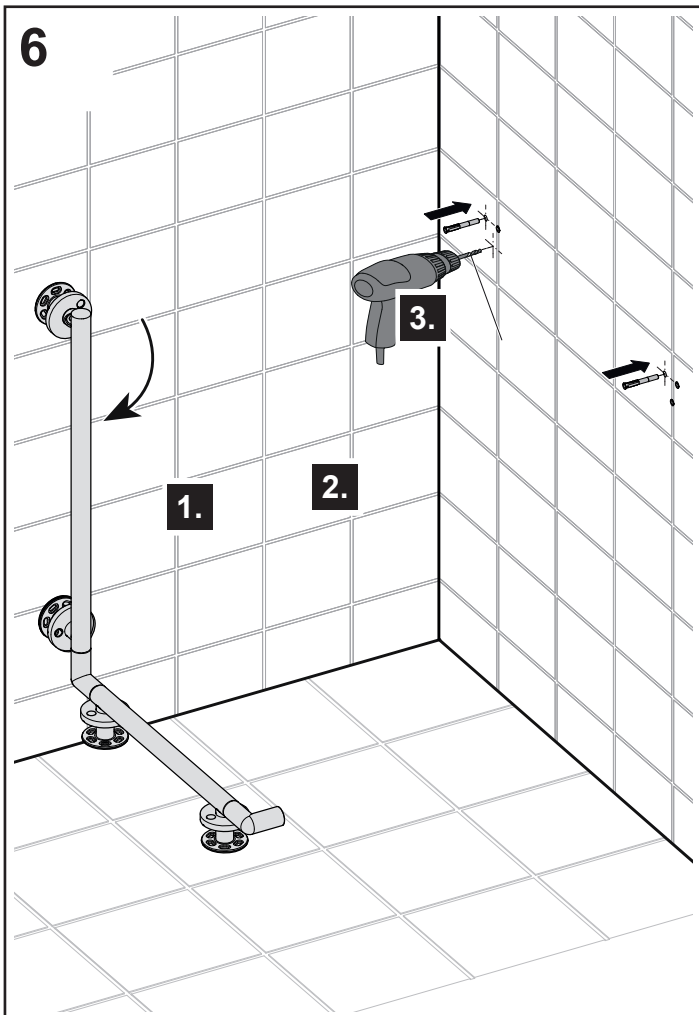
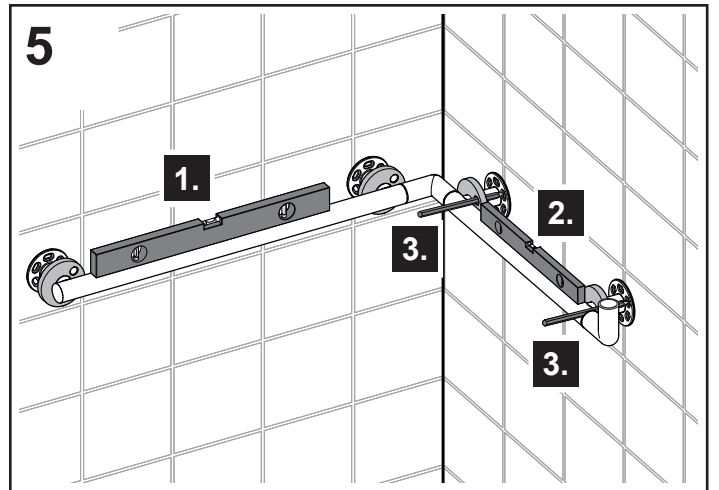
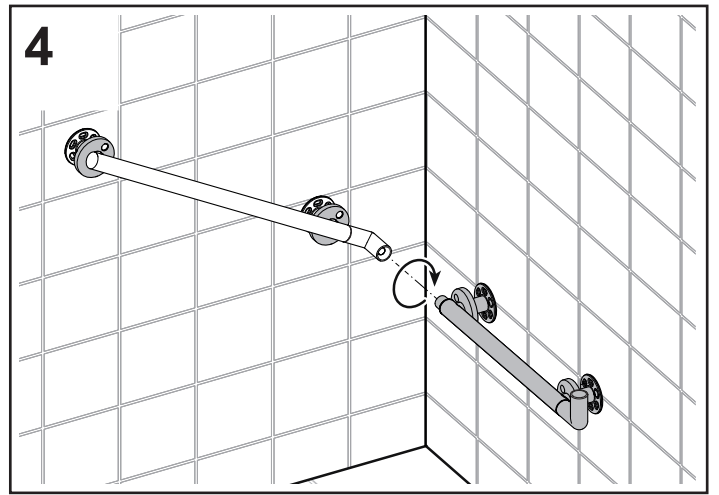
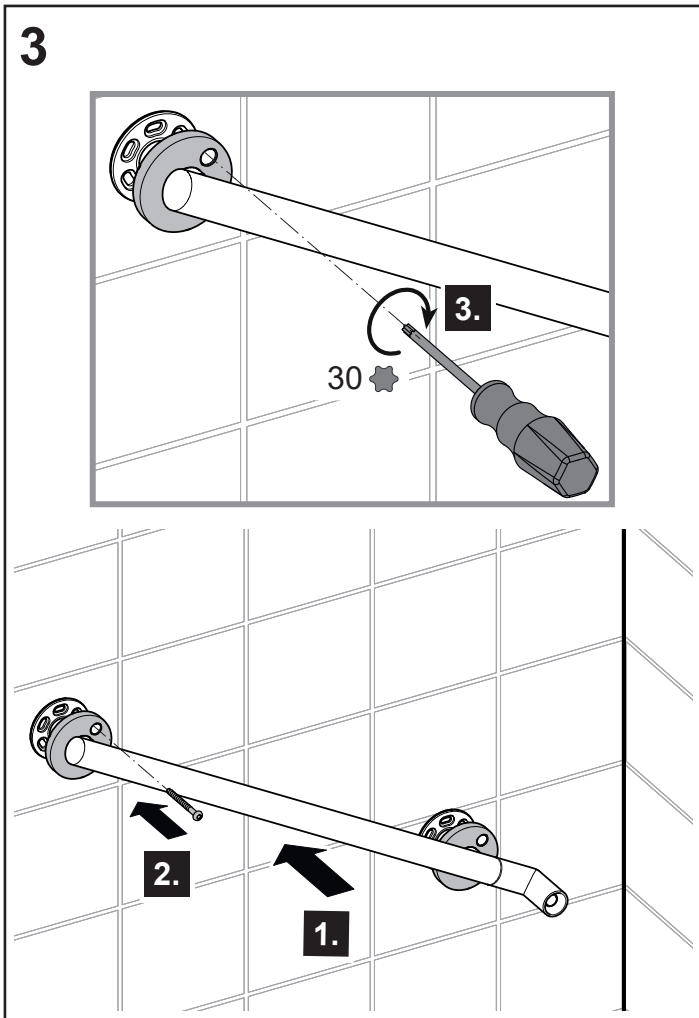
RU Инструкция по монтажу

34908 XX4411
34908 XX4611
34908 XX6411
34908 XX6611

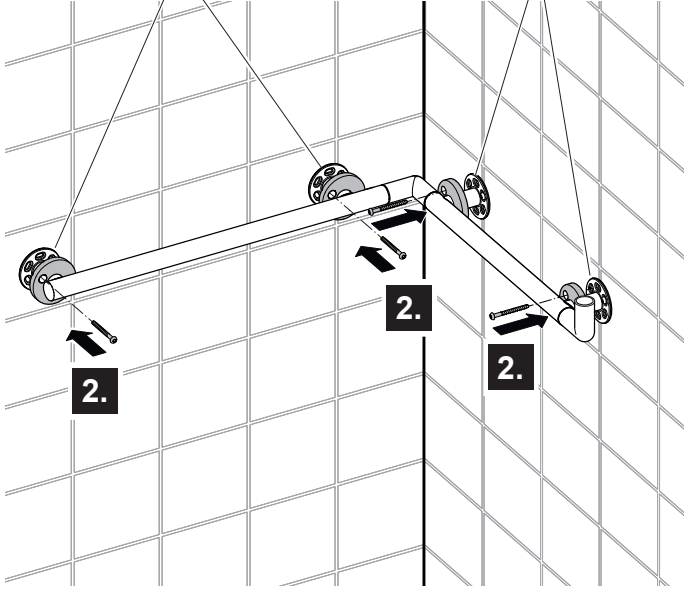
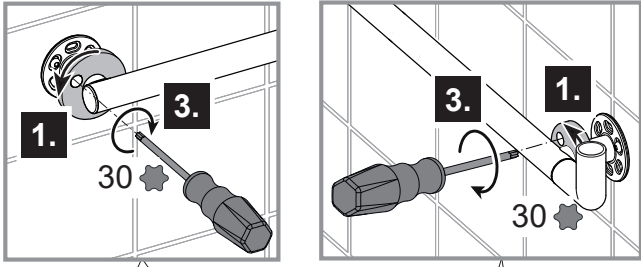


XX= 01, 17

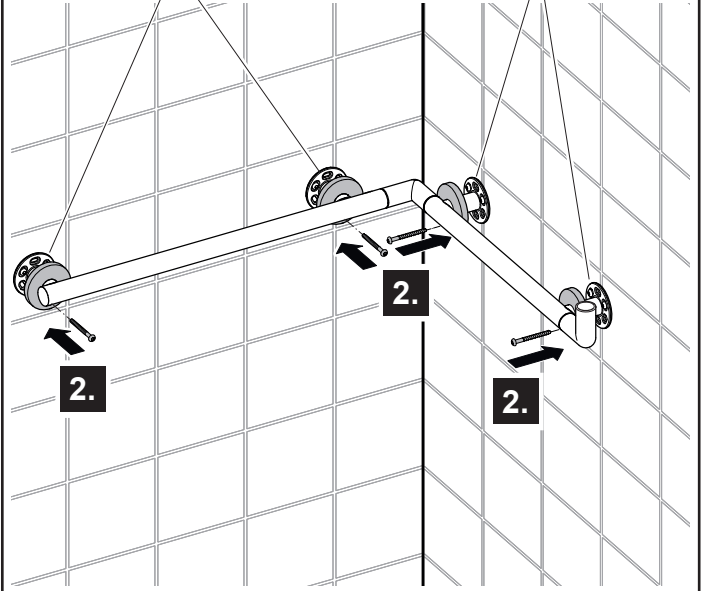
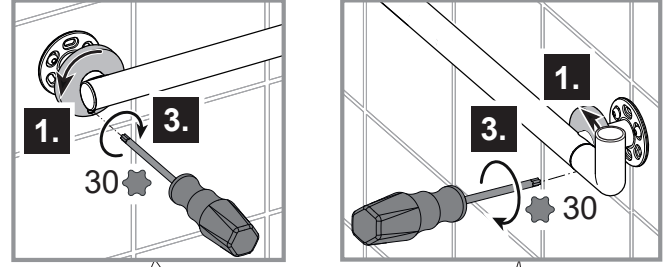




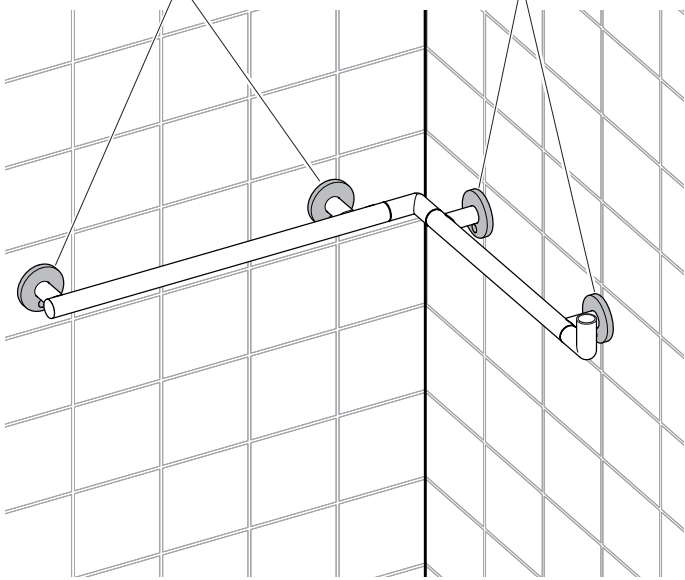
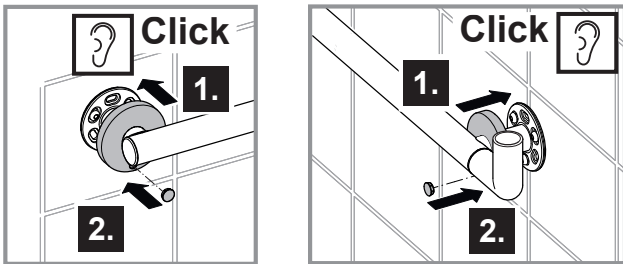
8



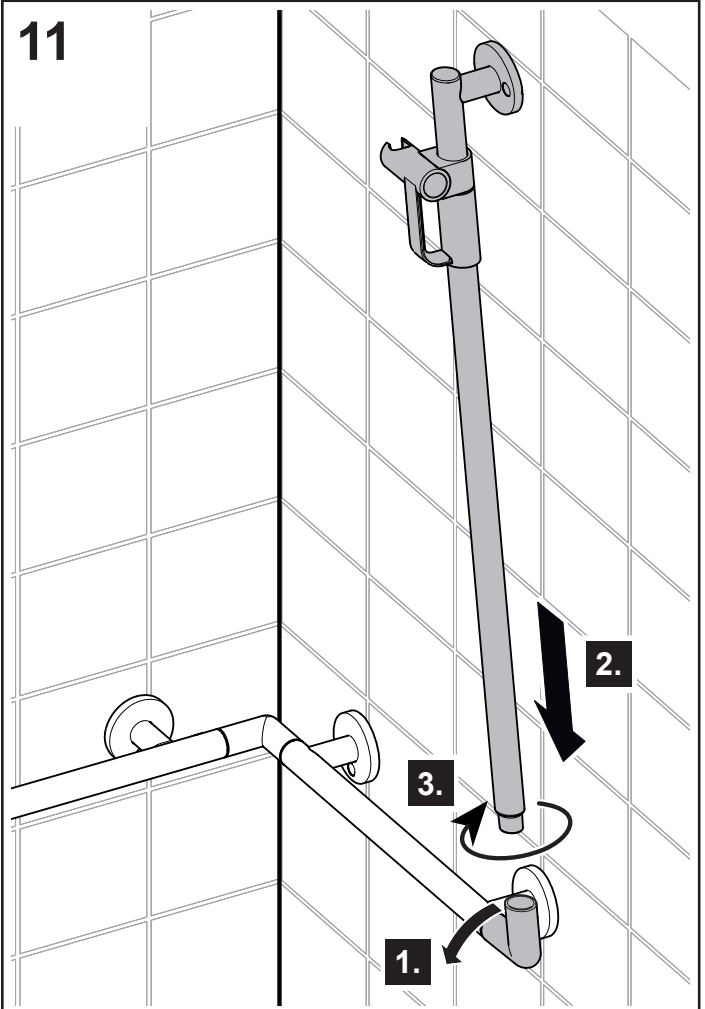
9

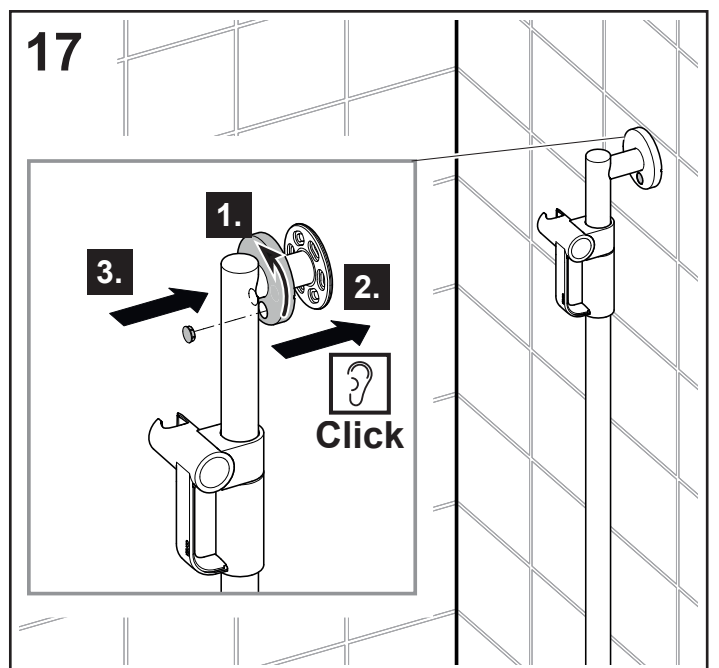
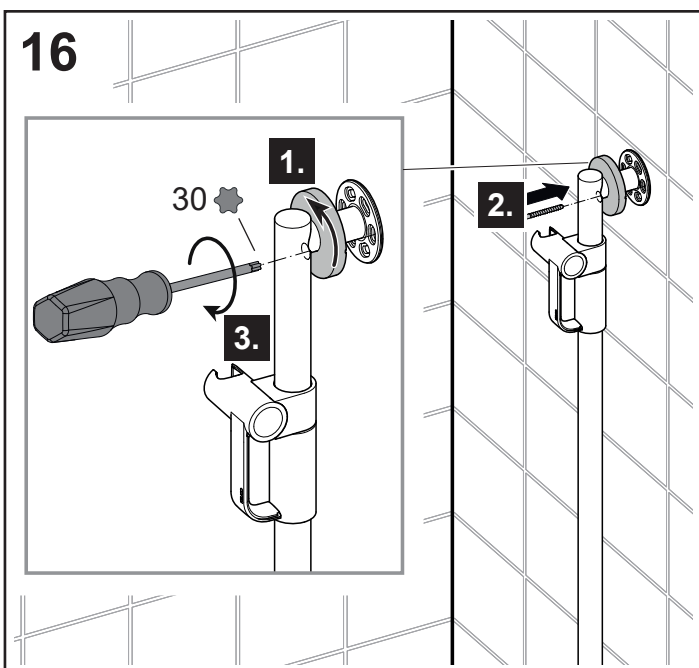
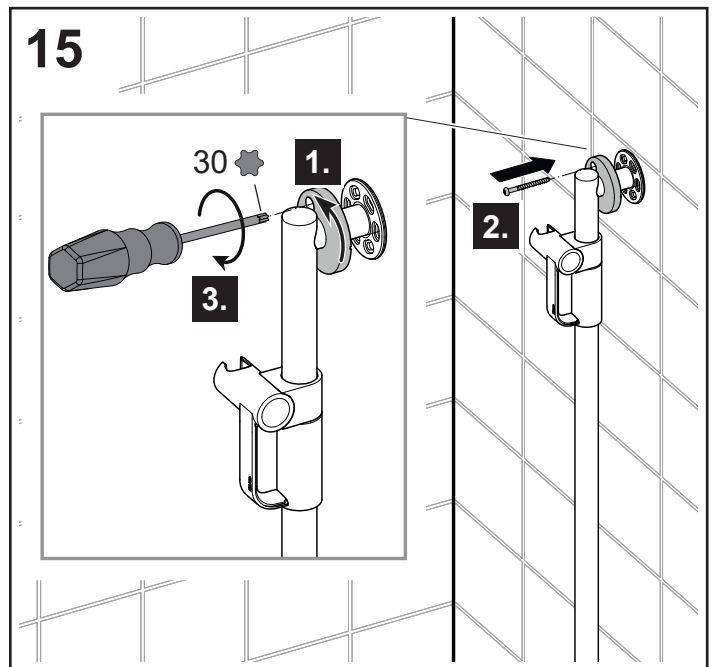
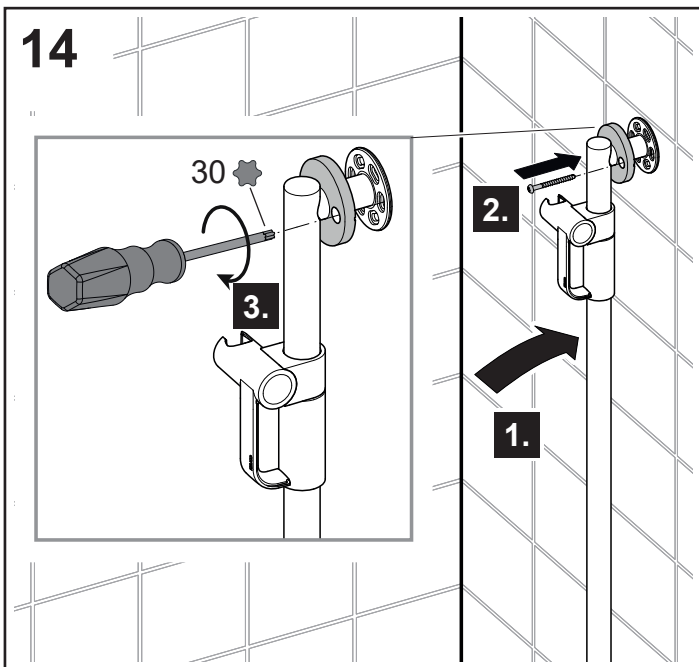
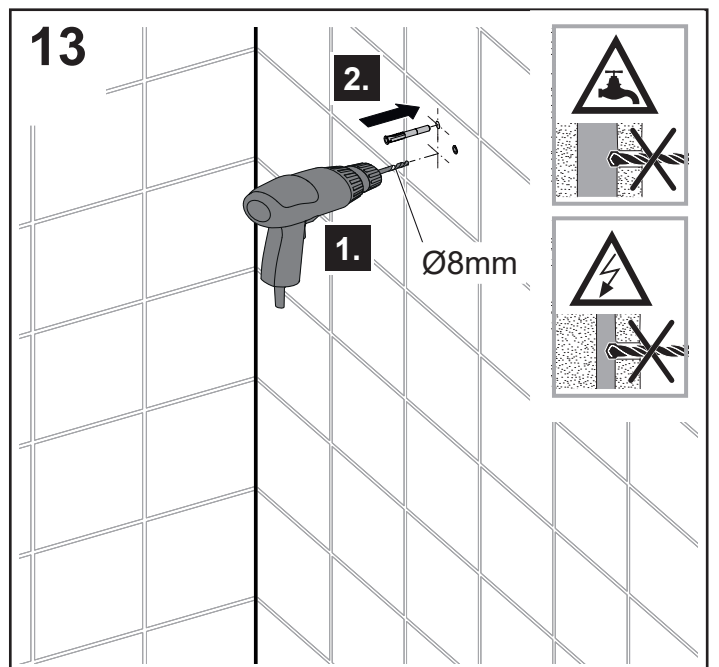
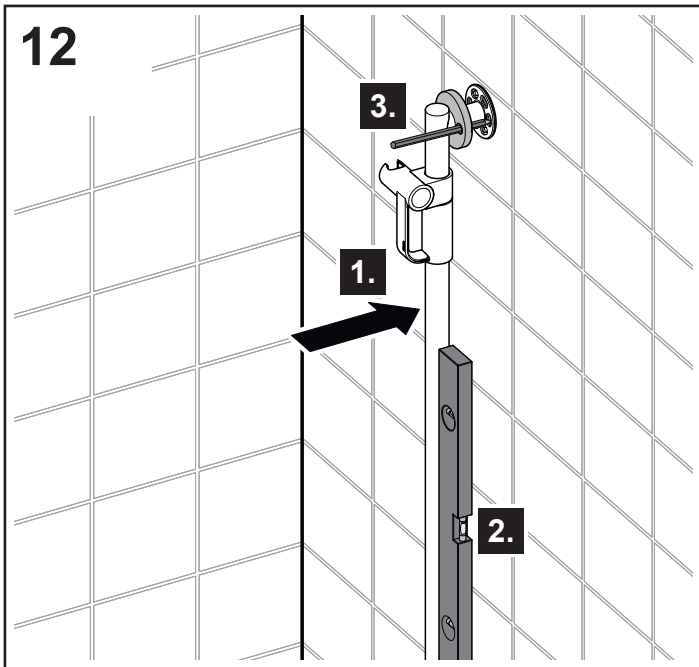


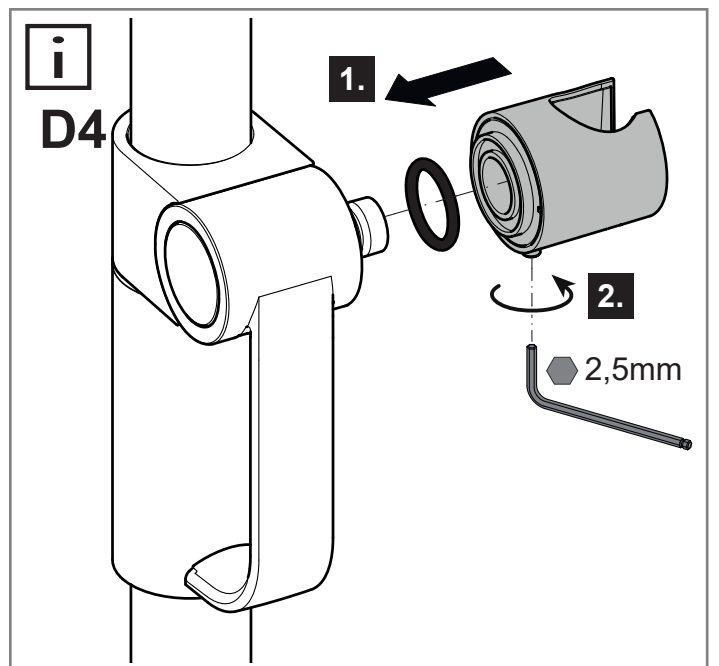
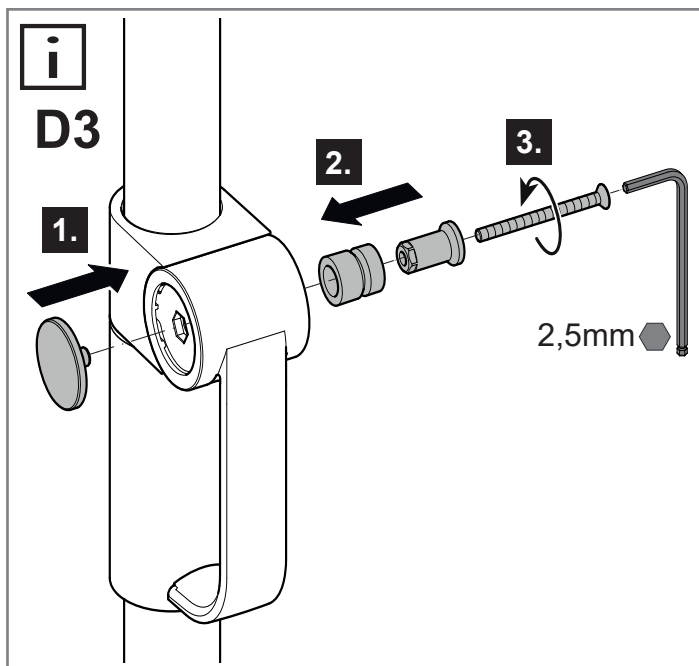
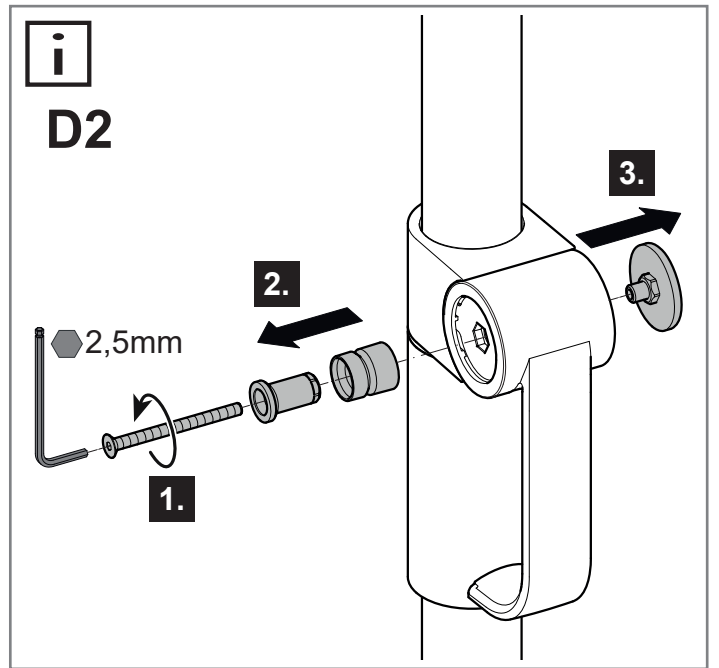
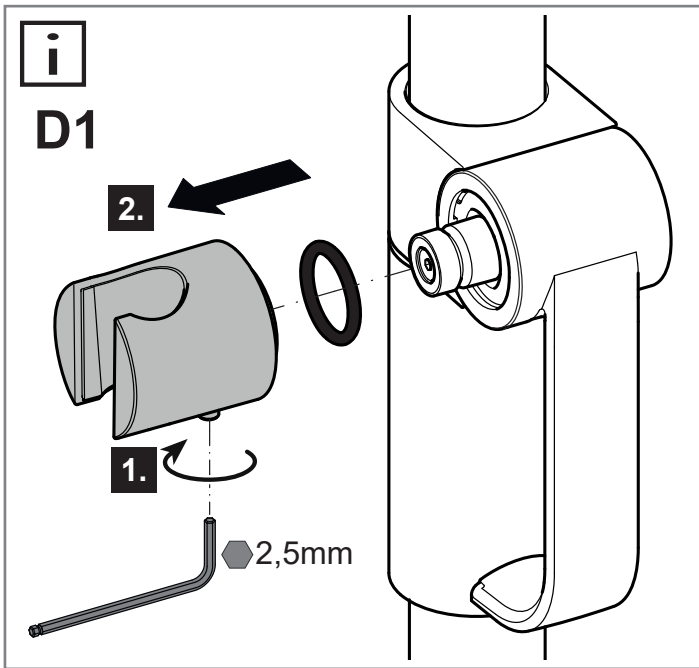
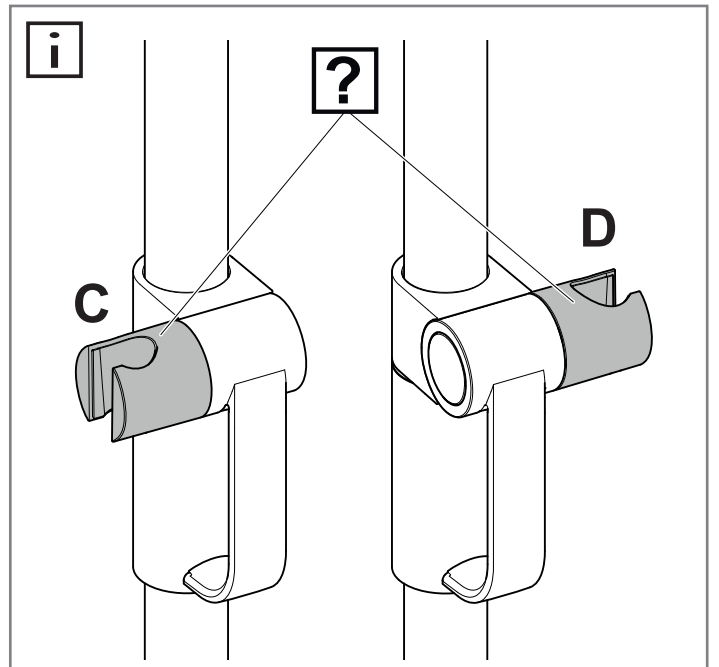
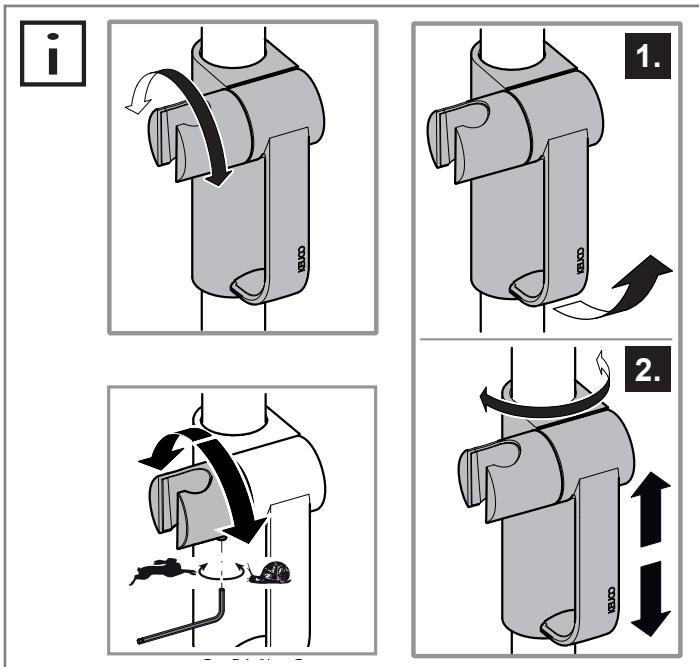
10



11









A series of horizontal lines for writing, consisting of 20 evenly spaced lines extending across the width of the page.



A series of 20 horizontal lines for writing, spaced evenly down the page.

