



Encoder accessories

 Encoder accessories (PDF 139 KB)



DSK29

Double loop coupling DSK29

for encoder with shaft \varnothing 6 mm, 8 mm or 10 mm.

No moving parts, thermally and electrically insulating, smooth running, maintenance-free.

Good resistance to

Gasoline, oil, benzene, toluene, aromatic and non aromatic hydrocarbons, alcohols, glycols, solvents and many chemicals.

[→ Print version](#)

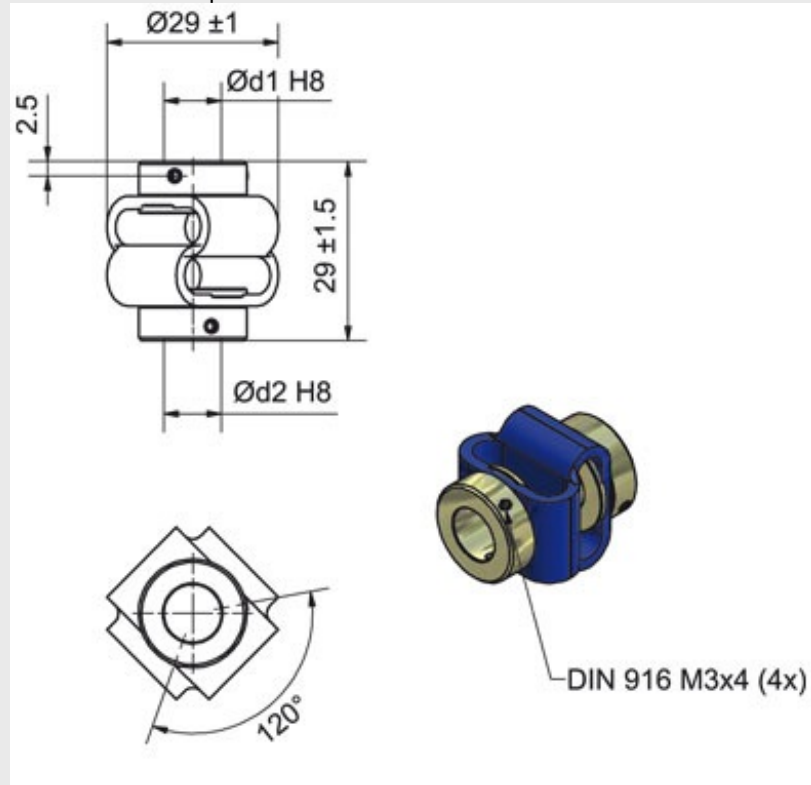
Product data

Max. operating speed	3000 rpm
Max. torque	50 Ncm
Max. offset of shafts radial	± 2.0 mm
Max. offset of shafts axial	± 2.0 mm
Max. offset of shafts angular	$\pm 10^\circ$
Torsion spring stiffness	13 Nm/rad
Radial spring stiffness	13 N/mm
Moment of inertia	41 gcm ²
Max. clamping torque	100 Ncm
Weight	33 g

Material	flange: steel galvanized connecting element: polyurethane
Operating temperature	-30 °C up to +80 °C
Order number(s)	
DSK290606	double loop coupling: Ø d1 = 6 mm, Ø d2 = 6 mm
DSK290610	double loop coupling: Ø d1 = 6 mm, Ø d2 = 10 mm
DSK290810	double loop coupling: Ø d1 = 8 mm, Ø d2 = 10 mm
DSK290808	double loop coupling: Ø d1 = 8 mm, Ø d2 = 8 mm
DSK291010	double loop coupling: Ø d1 = 10 mm, Ø d2 = 10 mm

Drawings

All dimensional specifications in mm



For further information please contact our local distributor.



Here you find a list of our [distributors worldwide](#)

Wachendorff Automation GmbH & Co. KG - Industriestrasse 7 - D-65366 Geisenheim
wdg@wachendorff.de - Tel. +49 6722 996525 - Fax +49 6722 996570