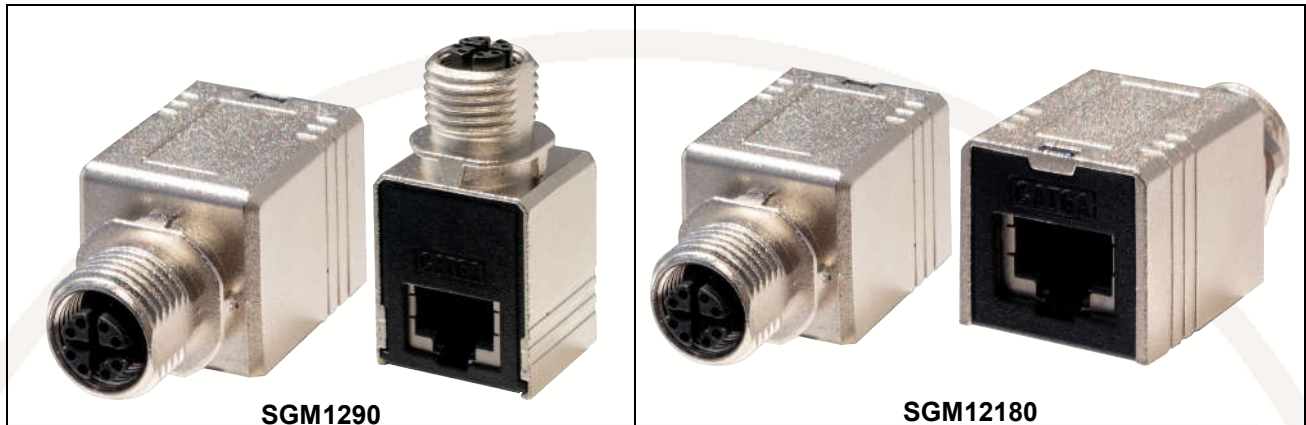


M12 to Cat 6A STP Adaptor:



M12 to 90 Degree or 180 Degree Cat 6A STP Adaptor (SGM1290 / SGM12180)

This M12 adaptor enables easy inter connection between M12 X industrial ethernet and full Category 6A RJ 45 cabling

Features:

- M12 X coded IP68 rated (when mated, waterproof cap also available separately)
- M12 to Cat 6A 90 or 180 degree socket
- Compliant with IEC standards for connectors
M12: IEC 61076-2-109
RJ45: IEC 60603-7-51
- High data transmission performance to Cat 6A standards
- Suitable for PoE (4PPoE) – compliant with IEC60512-99-002

Specifications:

- Net weight: 38g
- Dimensions (including packaging): 50.3 x 28 x 26.5 mm (l x w x h)
- Colour: Black and silver
- Materials:
 - Silver shell: zinc alloy
 - Black housing: PC
 - 50µ"/1.27µm gold plating on RJ45 contacts
- Supplied with mounting nut and washer

- Current rating: M12 = 0.5A, RJ45 = 1.5A
- Insulation resistance: 100M Ω min.
- Contact resistance: M12 \leq 10m Ω MAX ; RJ45 \leq 20m Ω max.
- Operation temperature: -25°C to 50°C
- Storage temperature: -40°C to 70°C

Packaging: in individual poly bags then in bags of 5

Commodity code: 85444920

EAN: SGM1290: 5055386509376 SGM12180: 5055386509383

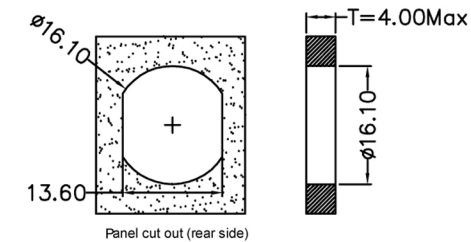
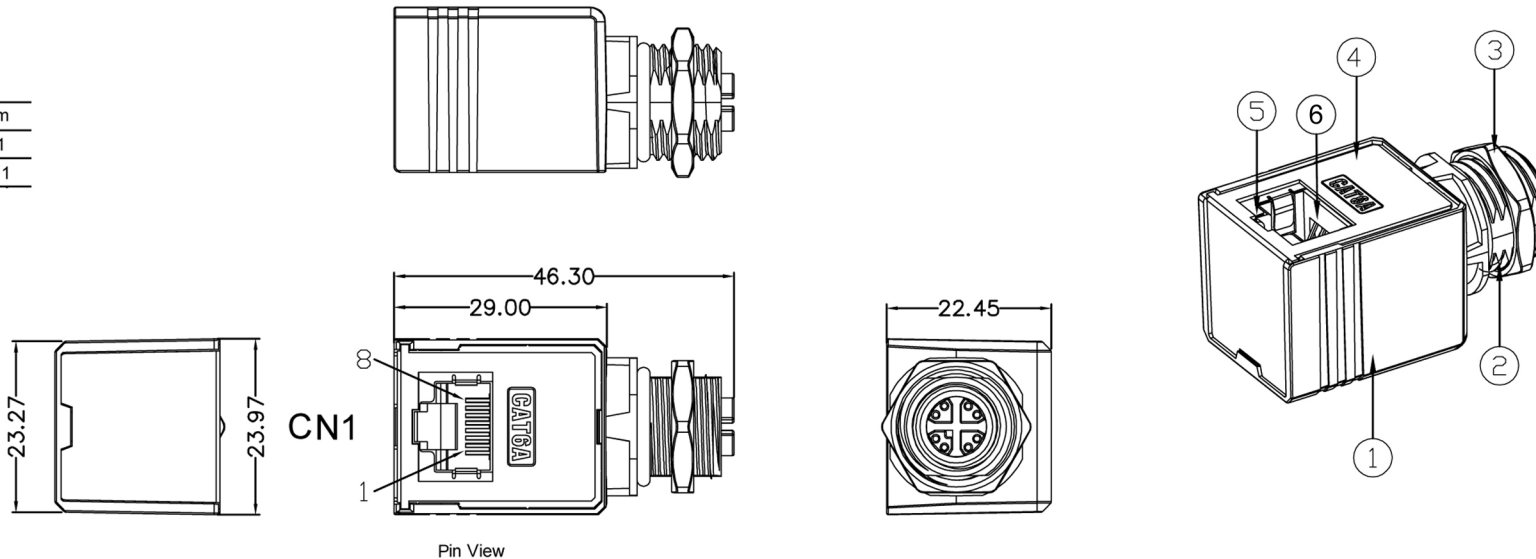
Country of Origin: China



ROHS Compliant

Code: SGM1290

UNIT	mm
SCALE	1:1
SHEET	1/1

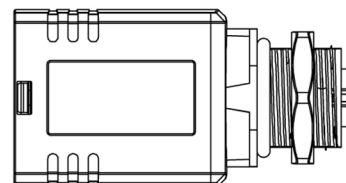
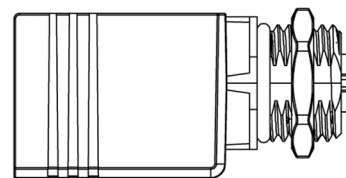


SPECIFICATIONS:

- Current rating: M12=0.5A; RJ45=1.5A
- Dielectric withstanding voltage:
Contact/contact:mated or terminated connectors
1000V
- Insulation resistance: 100M Ω MIN.
- Contact resistance: M12 ≤ 10m Ω MAX ; RJ45 ≤ 20m Ω max

MATERIALS:

- (1) Zinc alloy shell
- (2) Silicone rubber washer
- (3) Iron sheet, nickel plated nut
- (4) PC cover
- (5) Brass C2680, tin plated earth
- (6) 50µ"/1.27µm gold plated contacts



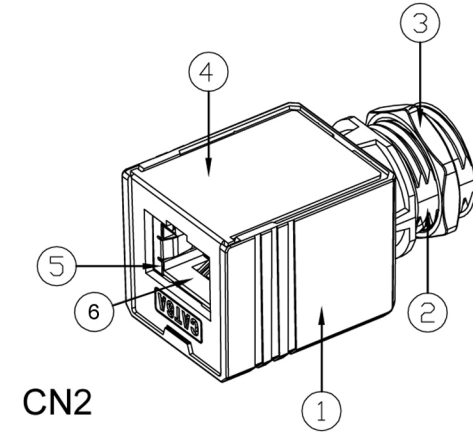
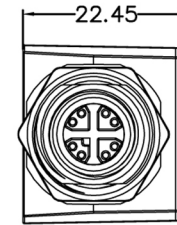
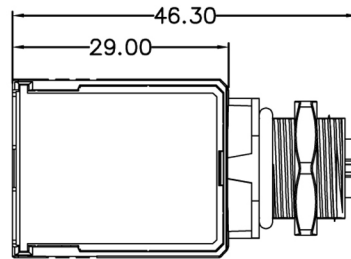
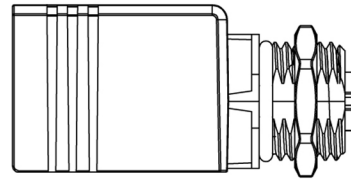
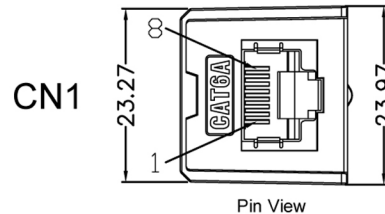
PIN OUT

CN1	CN2
A1	B1
A2	B2
A3	B3
A4	B4
A5	B5
A6	B6
A7	B7
A8	B8
SHELL	SHELL



ROHS Compliant

UNIT	mm
SCALE	1:1
SHEET	1 / 1

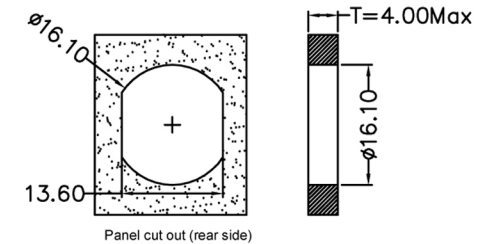
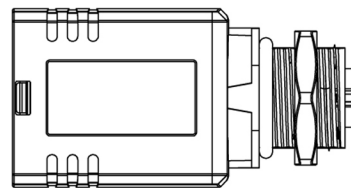
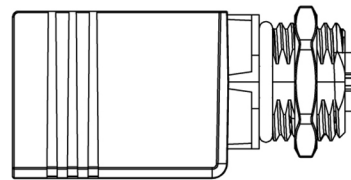


SPECIFICATIONS:

- Current rating: M12=0.5A; RJ45=1.5A
- Dielectric withstanding voltage:
Contact/contact:mated or terminated connectors
1000V
- Insulation resistance: 100M Ω MIN.
- Contact resistance: M12 \leq 10m Ω MAX ; RJ45 \leq 20m Ω max

MATERIALS:

- (1) Zinc alloy shell
- (2) Silicone rubber washer
- (3) Iron sheet, nickel plated nut
- (4) PC cover
- (5) Brass C2680, tin plated earth
- (6) 50 μ "/1.27 μ m gold plated contacts



PIN OUT

CN1	CN2
A1	B1
A2	B2
A3	B3
A4	B4
A5	B5
A6	B6
A7	B7
A8	B8
SHELL	SHELL

