

HOSE-PROOF HOOD

FFH 086 | IP56



- > Increase of protection class
- > Safe against unauthorized removal
- > Easy to clean
- > Weather resistant
- > Filter mat change from outside
- > Versatile
- > Impact-resistant, robust
- > Protective grid

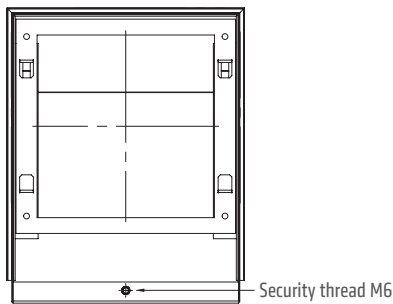
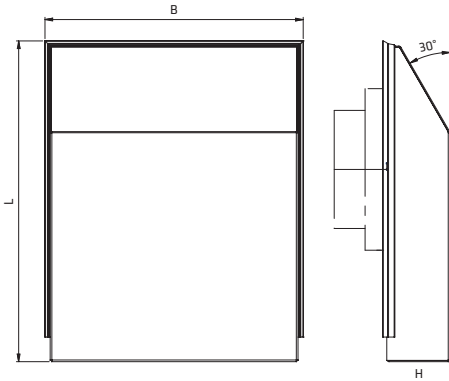
The hose-proof hood for increasing the protection class is a protective cover for filter fans, intake and exit filters, e.g. for the series FPI 018, FPO 018 and FF 018. It is used for protection against water projected by a hose and extreme climatic influences if located outdoors or in industrial applications with harsh environmental conditions. In order to clean the filter fans or to change the filter mat, the hood can easily be removed, the cabinet does not need to be opened (safety risk).



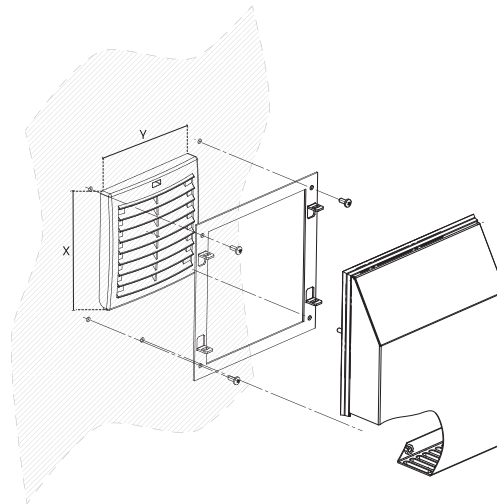
TECHNICAL DATA

Material hood	VA, polished
Material sealing	Silicone, food safe
Protection type	IP56 ¹
Protection type UL/NEMA	UL Type 4/4x ¹ / Nema Type 4/4x ¹
Approval	UL File No. E234324, EAC

¹ When used with STEGO filter fans FPI/FPO 018 and FF 018 and when seal is tightly fitted.



Back view



Art. No.	Cutout usable for FF 018	Cutout usable for FPI/FPO 018	Dimensions L x B x H	Max. covered area (X x Y)	Weight (approx.)
08670.0-00	97 x 97 mm	92 x 92 mm	214 x 195 x 48 mm	143 x 130 mm	0.8 kg
08671.0-00	125 x 125 mm	124 x 124 mm	279 x 225 x 58 mm	173 x 160 mm	1.2 kg
08672.0-00	176 x 176 mm	176 x 176 mm	359 x 294 x 68 mm	235 x 218 mm	2.0 kg
08673.0-00	250 x 250 mm	223 x 223 mm	415 x 369 x 78 mm	290 x 286 mm	2.8 kg
08674.0-00	-	291 x 291 mm	485 x 409 x 103 mm	340 x 326 mm	3.7 kg