

73

733500

SmartSKEDD™ direct connectors, pitch 2.5 mm

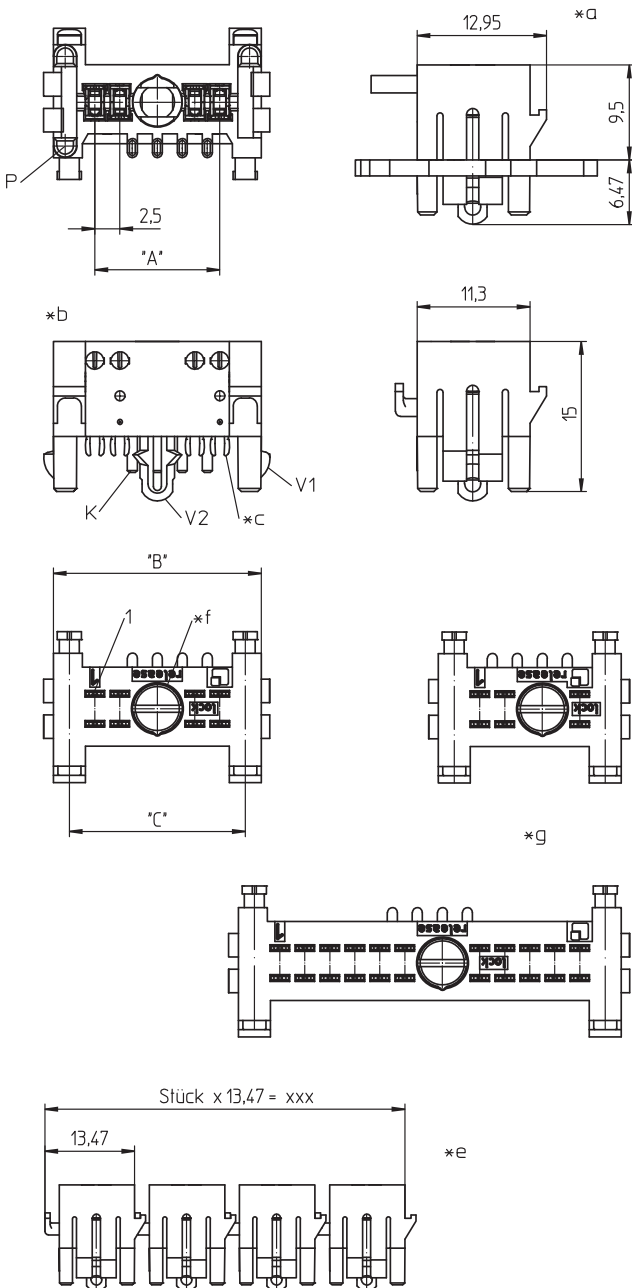


SmartSKEDD direct connector, insulation displacement technology (IDT), with keying pins, positioning spigot and double locking on the printed circuit board contact pitch 2.5 mm

Approvals:  pending

73

733500



Environmental conditions

Temperature range -40 °C/+130 °C¹

¹ upper limit temperature (insulating body) RTI (electrical) of the UL Yellow Card

Materials

Insulating body PBT, V-0 nach UL94¹

Contact spring CuSn, silver-plated

¹ material halogen-free, GWFI 850 °C (0,40 mm), GWIT 775 °C (0,40 mm)

Mechanical data

Mating with printed circuit board 1.6 ± 0.14 mm

Insertion force/contact ≤ 3 N

Withdrawal force/contact ≥ 3 N

Retaining force/locking ≥ 90 N

Connectable conductors for IDT area

Construction discrete conductor, notched flat cable 2.5 mm

Section min. 0,22 mm²

Section max. 0,38 mm²

Insulation diameter ≤ 1.6 mm

Approved cables at www.lumberg.com 

Electrical data (at T_{amb} 20 °C)

Contact resistance ≤ 5 mΩ

Rated current 4 A (T_{amb} 85 °C)

Rated voltage 50 V AC¹

Material group I (IEC)/0 (UL) (CTI ≥ 600)¹

Creepage distance 0,60 mm

Clearance 0,60 mm


Insulation resistance > 1 GΩ

¹ according to IEC 60664/DIN EN 60664, CTI UL classification according to ANSI/UL 746A

Associated products

Harnessing equipment

 HA7335e

 HA7335e-CA

73

733500

| Designation | Pole Number | PU (Pieces) | MDQ (Pieces) | Dimensions | | | |
|-------------|-------------|-------------|--------------|------------|--------|--------|--------|
| | | | | A (mm) | B (mm) | C (mm) | D (mm) |
| 733500 03 | 3 | 1260 | 1260 | 10.0 | 18.3 | 15.1 | 15.95 |
| 733500 04 | 4 | 945 | 945 | 12.5 | 20.8 | 17.6 | 18.45 |
| 733500 05 | 5 | 945 | 945 | 15.0 | 23.3 | 20.1 | 20.95 |
| 733500 06 | 6 | 945 | 945 | 17.5 | 25.8 | 22.6 | 23.45 |
| 733500 07 | 7 | 630 | 630 | 20.0 | 28.3 | 25.1 | 25.95 |
| 733500 08 | 8 | 630 | 630 | 22.5 | 30.8 | 27.6 | 28.45 |
| 733500 09 | 9 | 630 | 630 | 25.0 | 33.3 | 30.1 | 30.95 |
| 733500 10 | 10 | 630 | 630 | 27.5 | 35.8 | 32.6 | 33.45 |
| 733500 11 | 11 | 630 | 630 | 30.0 | 38.3 | 35.1 | 35.95 |

Packaging:

chained, in a cardboard box