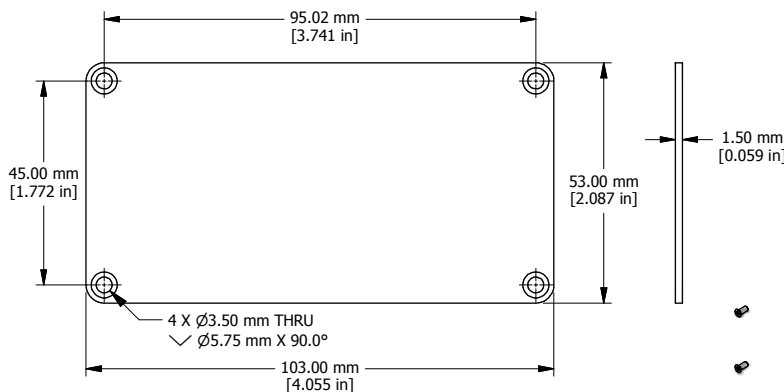
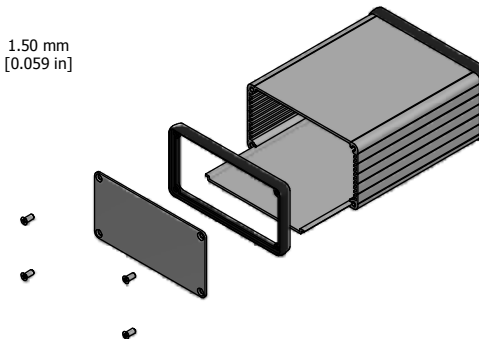


EXTRUSION

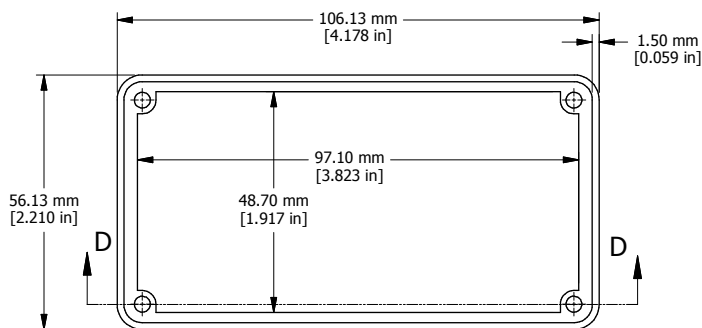
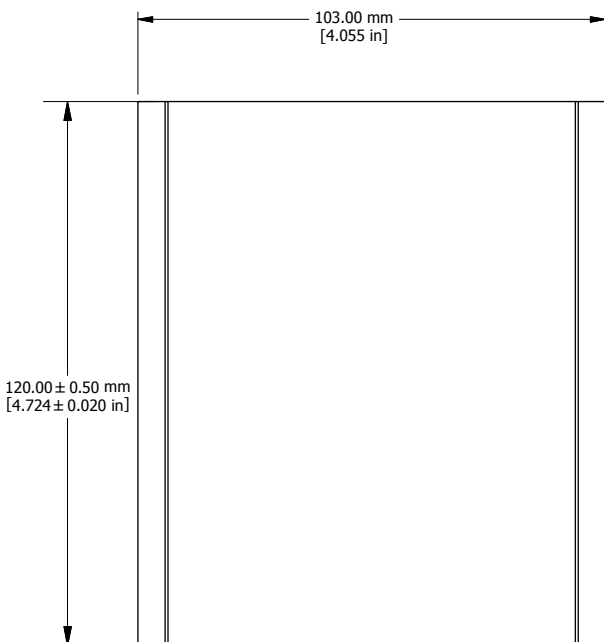


END PLATE

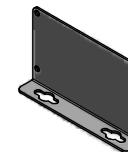
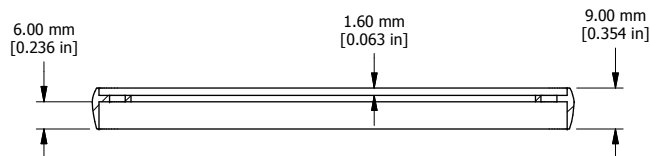


EXPLODED ASSEMBLY VIEW

EXTRUSIONS DESIGNED FOR 100MM WIDE PC BOARD



OPEN BEZEL



OPTIONAL FLANGE END PANELS 1455NF

Enclosures can be Factory Modified ( Milling, Drilling, Printing etc. )  
 Solid models of this enclosure available in STEP or IGES.  
 Contact Factory [mjm@hammondmfg.com](mailto:mjm@hammondmfg.com)

NOTE	
Purchased assembly includes box, plastic bezels, end panels, #6 Taptight screws and self adhesive rubber feet.	
Box made from Extruded Aluminum 6063.	
Bezels made with polycarbonate.	
1455N1201	
PART NUMBERS	
Clear Anodized	1455N1201
Black Anodized	1455N1201BK
Blue Anodized	1455N1201BU
Red Anodized	1455N1201RD
ACCESSORIES	
See website for accessories.	

**1455N1201**  
[www.hammondmfg.com](http://www.hammondmfg.com)