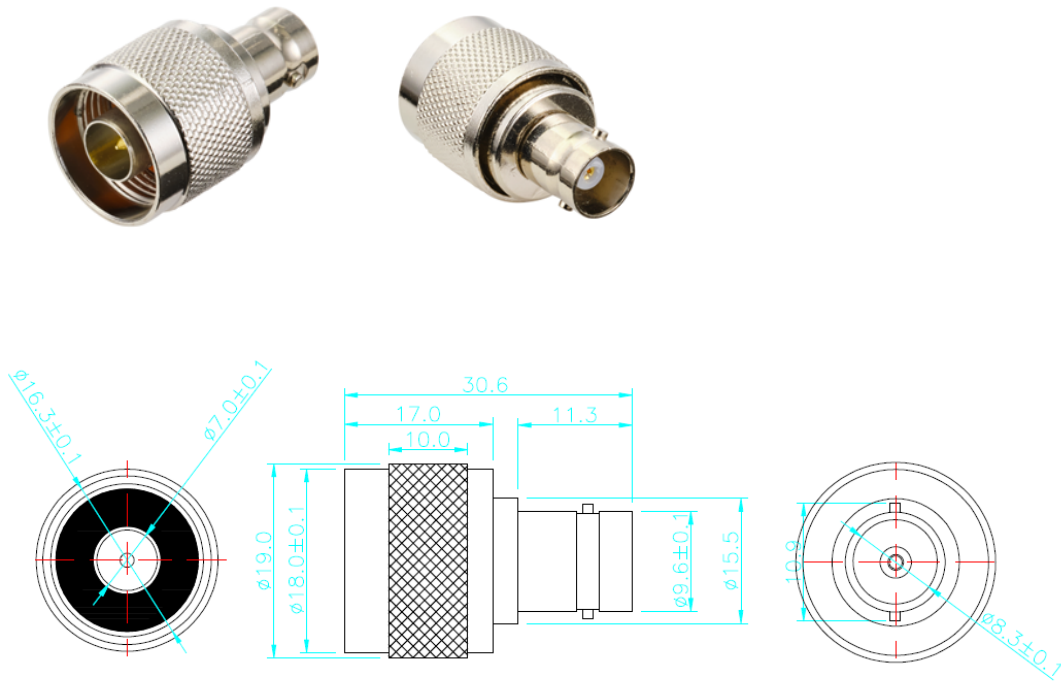


## Data Sheet

### N plug - BNC jack



#### Technical data

Connector: N plug to BNC socket

Impedance: 50 $\Omega$

Material: Brass, nickel plated

Insulation material: PTFE



