

## SAI-8-F 5P PUR 25M

**Weidmüller Interface GmbH & Co. KG**

Klingenbergstraße 16

D-32758 Detmold

Germany

Fon: +49 5231 14-0

Fax: +49 5231 14-292083

www.weidmueller.com



M12 distributors are available in various versions. The 4, 6 or 8 M12 slots are in 4 or 5 pole design. The group outlet is designed as a fixed cable version, hood version for connection by the user, or with M23. Special versions are also available. For instance, there are 1-to-1 distributors for use with any connection types, or distributors approved for Ex Zone 1.

### General ordering data

Type	SAI-8-F 5P PUR 25M
Order No.	<a href="#">1058390000</a>
Version	Sensor-actuator passive distributor, M12, Fixed cable version, 25 m, Yes
GTIN (EAN)	4032248903931
Qty.	1 pc(s).

**SAI-8-F 5P PUR 25M****Weidmüller Interface GmbH & Co. KG**

Klingenbergstraße 16

D-32758 Detmold

Germany

Fon: +49 5231 14-0

Fax: +49 5231 14-292083

www.weidmueller.com

**Technical data****Dimensions and weights**

Net weight	3,680 g
------------	---------

**Temperatures**

Operating temperature	-
-----------------------	---

**Environmental Product Compliance**

REACH SVHC	Lead 7439-92-1
------------	----------------

**Connection data**

Distributor outlet	Fixed cable version
--------------------	---------------------

**Electrical data**

Max. current-carrying capacity per slot	4 A	Insulation strength	10 <sup>9</sup> Ω
---	-----	---------------------	-------------------

**General technical data**

Protection degree	IP68	No. of poles	5
Number of contact sockets	8	Connection thread	M12
LED	Yes		

**Material data**

Contact material	CuZn	Contact surface	Gold-plated
------------------	------	-----------------	-------------

**Technical data cable**

Cable length	25 m	No. of poles	5
Wire cross section	16 x 0.34 mm <sup>2</sup> + 3 x 1.0 mm <sup>2</sup>	O.D.	9.7 mm
Shielded		Colour coding	white, green, yellow, grey, pink, red, brown, blue, Green/yellow, black, violet, grey / pink, red / blue, white / green, brown / green, white / yellow, Yellow / brown, white / grey, grey / brown
Sheath material	No PUR	Sheathing colour	black
Halogen	No	Bending radius, min., moving	10 x cable diameter
Bending cycles	2 Mio		

**Classifications**

ETIM 3.0	EC000830	ETIM 4.0	EC000830
ETIM 5.0	EC000830	ETIM 6.0	EC002585
eClass 6.2	27-06-91-90	eClass 7.1	27-06-91-90
eClass 8.1	27-06-91-90	eClass 9.0	27-44-01-08
eClass 9.1	27-44-01-08		

**Data sheet****SAI-8-F 5P PUR 25M**

**Weidmüller Interface GmbH & Co. KG**  
Klingenbergstraße 16  
D-32758 Detmold  
Germany  
Fon: +49 5231 14-0  
Fax: +49 5231 14-292083  
www.weidmueller.com

**Technical data****Approvals**

Approvals



ROHS

Conform

**Downloads**

Brochure/Catalogue

[FL FIELDWIRING EN](#)

Engineering Data

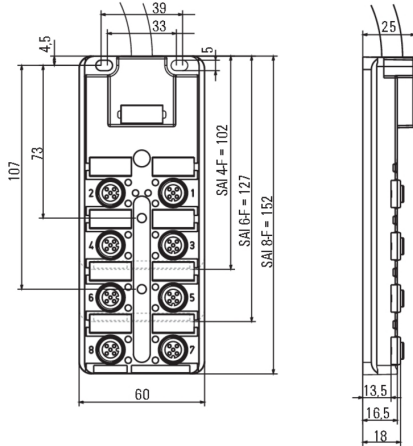
[WSCAD](#)

**SAI-8-F 5P PUR 25M**

**Weidmüller Interface GmbH & Co. KG**  
 Klingenbergstraße 16  
 D-32758 Detmold  
 Germany  
 Fon: +49 5231 14-0  
 Fax: +49 5231 14-292083  
 www.weidmueller.com

**Drawings**

**Dimensioned drawing**



**Wiring diagram**

