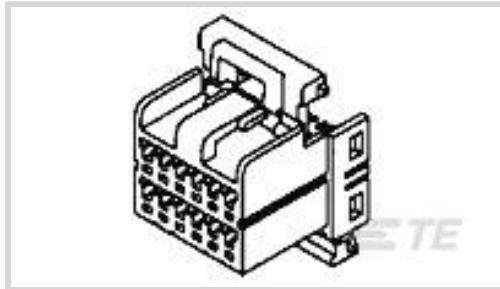




Connectors > Automotive Connectors > Connector Housings > MULTILOCK, CONNECTOR HOUSING



Connector & Housing Type: **Housing for Female Terminals**

Mating Tab Width: **1 mm [.039 in]**

Connector System: **Wire-to-Board, Wire-to-Device, Wire-to-Wire**

Number of Positions: **12**

Centerline (Pitch): **2.5 mm [.098 in]**

[All MULTILOCK, CONNECTOR HOUSING \(575\)](#)

Features

Product Type Features

Connector & Housing Type	Housing for Female Terminals
Connector System	Wire-to-Board, Wire-to-Device, Wire-to-Wire
Sealable	No
Hybrid Connector	No
Primary Locking Feature	Integrated in Housing

Configuration Features

Number of Positions	12
Number of Rows	2

Electrical Characteristics

Operating Voltage	12 VDC
Nominal Voltage Architecture	12 V

Body Features

Cable Exit Angle	180°
Body Material	PBT
Primary Product Color	Black

Contact Features



Mating Tab Width	1 mm[.039 in]
------------------	---------------

Mechanical Attachment

Mounting Feature	Without
------------------	---------

Terminal Position Assurance	Yes
-----------------------------	-----

Strain Relief	No
---------------	----

Mating Alignment Type	Polarized
-----------------------	-----------

Housing Features

Centerline (Pitch)	2.5 mm[.098 in]
--------------------	-----------------

Dimensions

Product Width	18.1 mm[.713 in]
---------------	------------------

Product Length	18.5 mm[.728 in]
----------------	------------------

Product Height	18.9 mm[.744 in]
----------------	------------------

Row-to-Row Spacing	3 mm, 5 mm[.118 in][.197 in]
--------------------	------------------------------

Usage Conditions

Operating Temperature (Max)	70 °C, 75 °C, 80 °C, 85 °C, 90 °C, 100 °C, 105 °C[158 °F][167 °F][176 °F][185 °F][194 °F][212 °F][221 °F]
-----------------------------	---

Operating Temperature Range	-30 – 105 °C[-22 – 221 °F]
-----------------------------	----------------------------

Operation/Application

Circuit Application	Signal
---------------------	--------

Industry Standards

UL Flammability Rating	UL 94HB
------------------------	---------

Packaging Features

Packaging Quantity	100
--------------------	-----

Packaging Method	Package
------------------	---------

Other

Serviceable	Yes
-------------	-----

Connector Position Assurance Capable	No
--------------------------------------	----

Product Compliance

For compliance documentation, visit the product page on [TE.com](https://www.te.com)>

EU RoHS Directive 2011/65/EU	Compliant
------------------------------	-----------



EU ELV Directive 2000/53/EC

Compliant

China RoHS 2 Directive MIIT Order No 32, 2016

No Restricted Materials Above Threshold

EU REACH Regulation (EC) No. 1907/2006

Current ECHA Candidate List: JAN 2022 (223)

Candidate List Declared Against: JAN 2022 (223)

Does not contain REACH SVHC

Halogen Content

Low Halogen - Br, Cl, F, I < 900 ppm per homogenous material. Also BFR/CFR/PVC Free

Solder Process Capability

Not applicable for solder process capability

Product Compliance Disclaimer

This information is provided based on reasonable inquiry of our suppliers and represents our current actual knowledge based on the information they provided. This information is subject to change. The part numbers that TE has identified as EU RoHS compliant have a maximum concentration of 0.1% by weight in homogenous materials for lead, hexavalent chromium, mercury, PBB, PBDE, DBP, BBP, DEHP, DIBP, and 0.01% for cadmium, or qualify for an exemption to these limits as defined in the Annexes of Directive 2011/65/EU (RoHS2). Finished electrical and electronic equipment products will be CE marked as required by Directive 2011/65/EU. Components may not be CE marked. Additionally, the part numbers that TE has identified as EU ELV compliant have a maximum concentration of 0.1% by weight in homogenous materials for lead, hexavalent chromium, and mercury, and 0.01% for cadmium, or qualify for an exemption to these limits as defined in the Annexes of Directive 2000/53/EC (ELV). Regarding the REACH Regulation, the information TE provides on SVHC in articles for this part number is based on the latest European Chemicals Agency (ECHA) 'Guidance on requirements for substances in articles' posted at this URL: <https://echa.europa.eu/guidance-documents/guidance-on-reach>

Compatible Parts



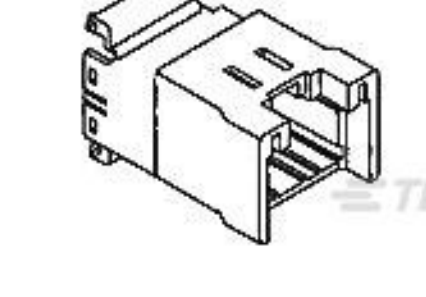
TE Part # CAT-M9194-T273
MULTILOCK, RECEPTACLE AND TAB



TE Part # CAT-HPCH5372
HIGH PIN COUNT HEADER



TE Part # CAT-SIGH262
SIGNAL HEADER




TE Part # 174058-2
040 MULTILOCK CAP 12P



TE Part # 174051-2
040 MULTILOCK I/O CONN 12PASSY



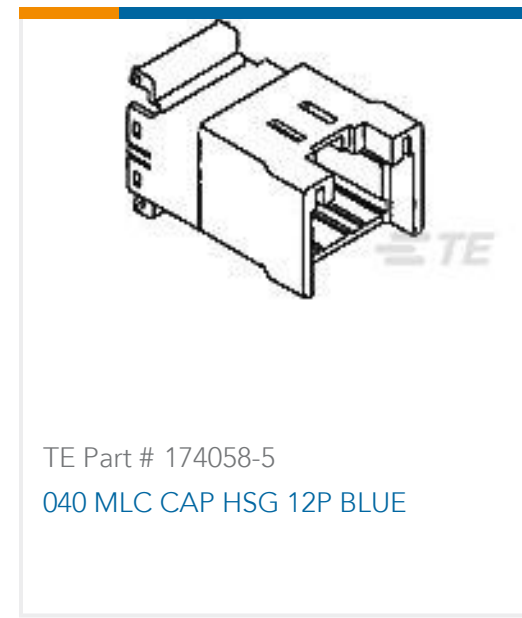
TE Part # 175062-2
040 MULTILOCK REC CONT. L/P



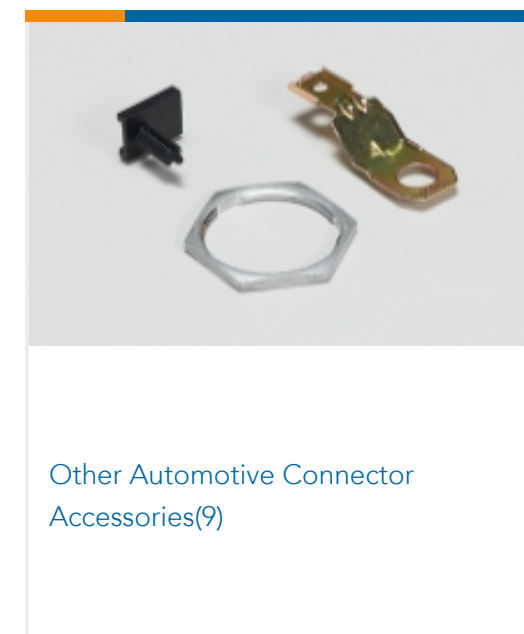
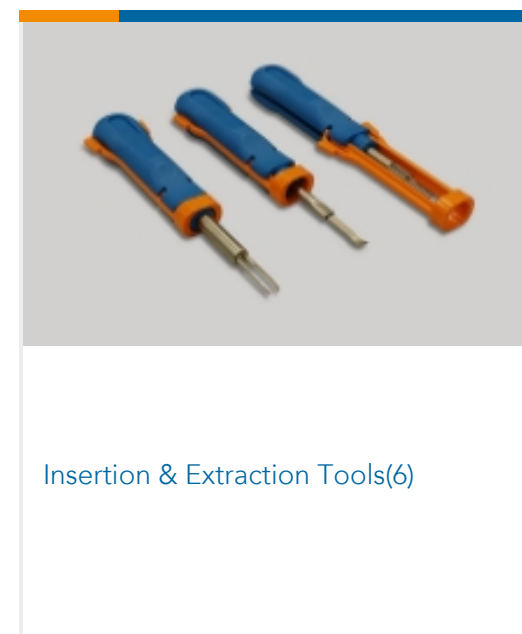
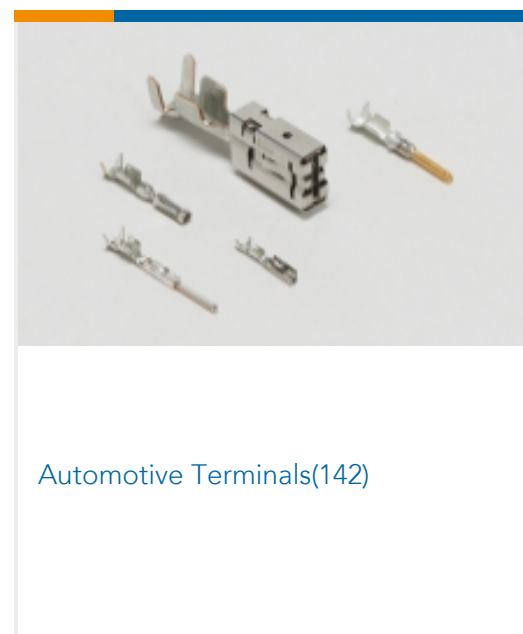
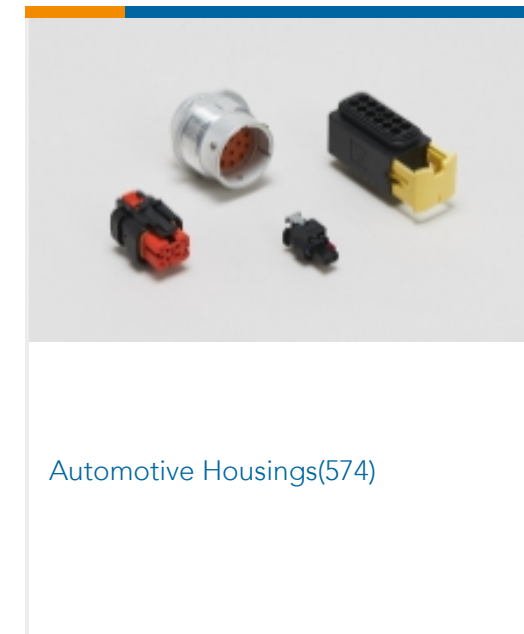
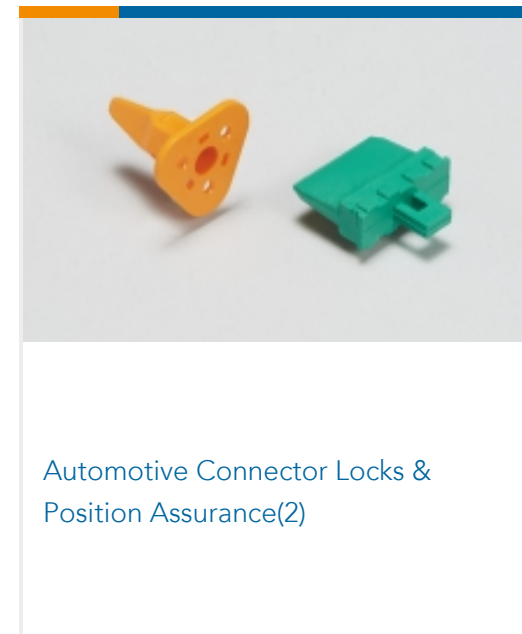
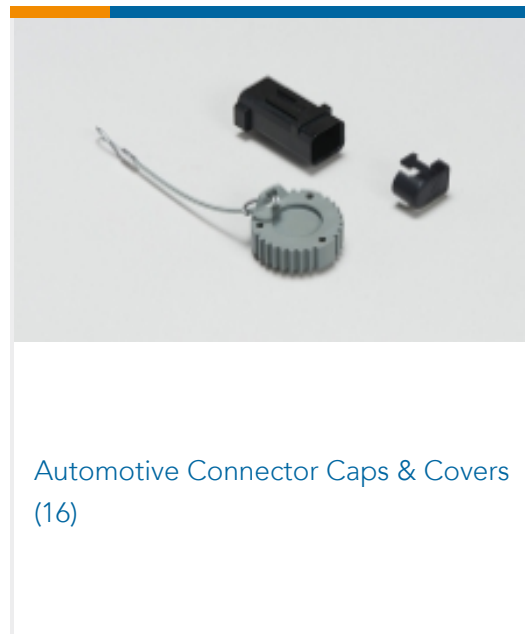
TE Part # 5174149-2
040/070 MULTI I/O CONN 48PASSY



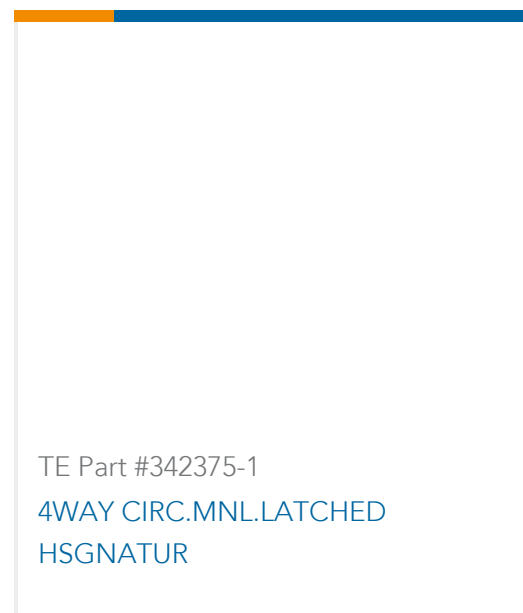
TE Part # 5174151-2
040/070 MULTI I/O CONN 64PASSY



Also in the Series | Multilock Connector System



Customers Also Bought



Documents

Product Drawings

CAD Files

[3D PDF](#)

3D

Customer View Model

[ENG_CVM_CVM_174045-2_K.2d_dxf.zip](#)

English

Customer View Model

[ENG_CVM_CVM_174045-2_K.3d_igs.zip](#)

English

Customer View Model

[ENG_CVM_CVM_174045-2_K.3d_stp.zip](#)

English

By downloading the CAD file I accept and agree to the [Terms and Conditions](#) of use.

Datasheets & Catalog Pages

[MULTILOCK Connector System](#)

English

Product Specifications

[Crimping .040 Series, Receptacle Contact](#)

Japanese

[Application Specification](#)

Japanese

[Application Specification](#)

English



[Crimping .040 Series Rec Contact for CAVUS Wires](#)

English

[Product Environmental Compliance](#)

[MD_174045-2_091920172230_dmtec](#)

English

[MD_174045-2_091920172230_dmtec](#)

English

[Instruction Sheets](#)

[Instruction Sheet \(non U.S.\)](#)

English

[040 SERIES MULTI-LOCK CONNECTOR](#)

English