


PCB TERMINAL BLOCKS

5mm Pitch Double Decker Rising Clamp Terminal Blocks

- 4(2x2) & 6(2x3) pole double interlocking mechanism for increased strength
- Double decker
- Moulded in green UL94-V0 flame retardant PA66
- Professional rising clamp terminals
- 0.2-4mm² (30-12AWG) solid cable
- 0.2-2.5mm² (30-12AWG) stranded cable
- Guided pin alignment
-  approved

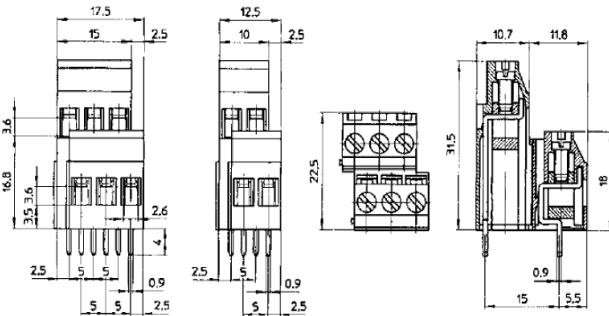
CTBDDVG



TYPE NO.	POLES	LENGTH
CTBDDVG/2	4	12.5mm
CTBDDVG/3	6	17.5mm

SPECIFICATION

Rating	24A/320V
	UL=16A/300V, VDE&IMQ=24/450V
Dielectric strength	≥2.5kV
Impulse withstand voltage	4kV
Working temperature	110°C
Moulding	UL94-V0 flame retardant PA66
Pin/terminal	Tinned, nickel plated brass
Rising clamp	Tinned, nickel plated brass
Screw/torque	M3 steel, zinc plated 0.5Nm
Recommended PCB hole size	ø1.5mm



PCB
TERMINAL
BLOCKS

INTER-
CONNECTION

FUSES &
FUSE-
HOLDERS

LEDs &
INDICATORS

MINIATURE
SWITCHES

LIMIT &
SAFETY
SWITCHES

CONTROL
PRODUCTS

INTERFACE
MODULES &
SUPPORTS

RELAY
BASES

DIN RAIL
ENCLOSURES

BATTERIES

SOLAR
PANELS

TRANS-
FORMERS



+44 (0)1638 716101
info@camdenboss.com
www.camdenboss.com

We operate a constant improvement policy, our products are subject to change without notice.

Ver 1.1

