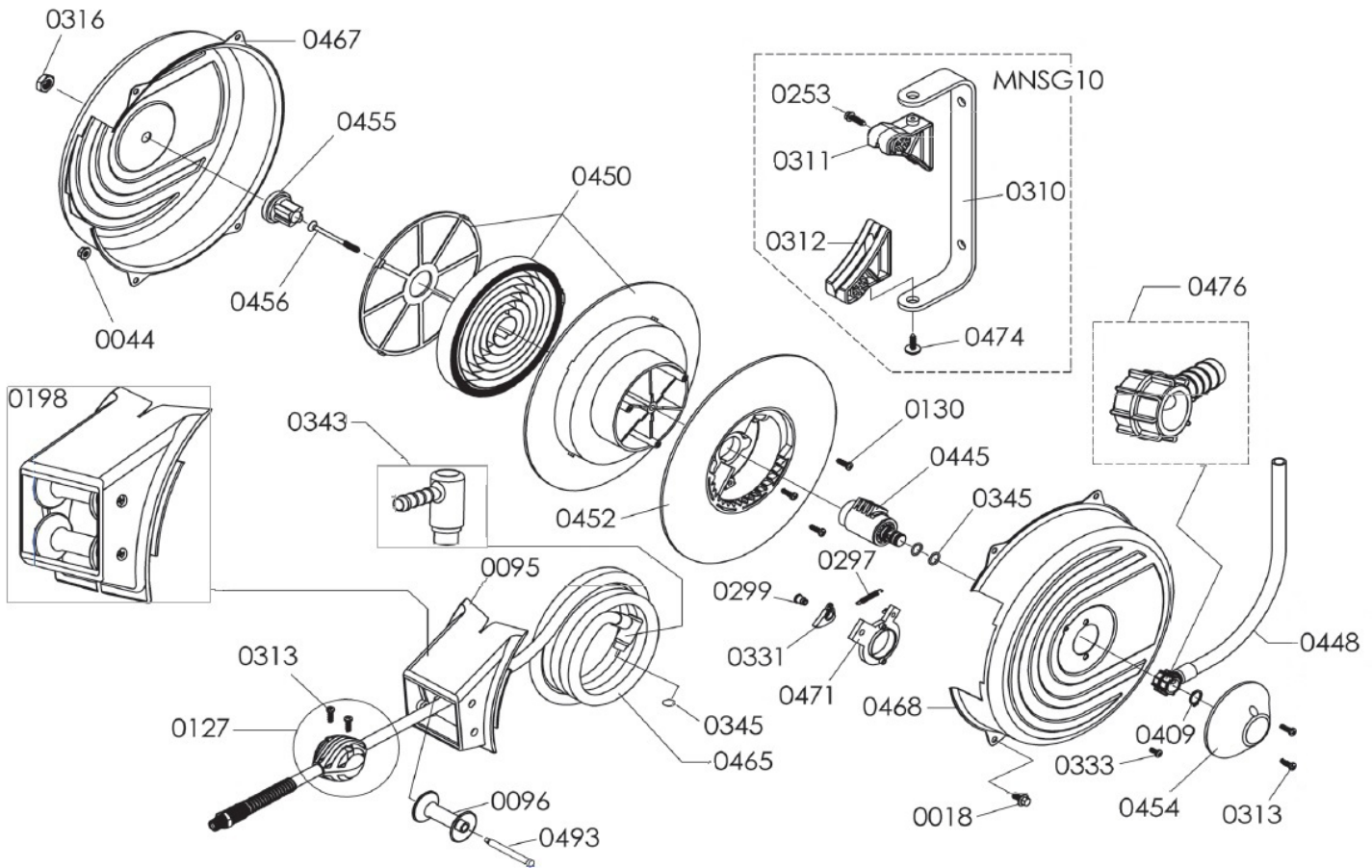


Parts Information:
**Retractable Air Hose Reel 12mtr Ø8mm ID
 TPU Hose
 Model No: SA90.V2**



Item	Part No.	Description	Item	Part No.	Description
0018	SA90.V2-0018	SCREW (M6x10)	0343	SA90.V2-0343	HOSE CONNECTOR 90degree
0044	SN6.S	STEEL NUT M6 ZINC DIN934 (SINGLE)	0345	SA90.V2-0345	O-RING (11.1x1.78)
0095	SA90.V2-0095	ROLLER SUPPORT PLATE	0409	SA90.V2-0409	SEEGER RING
0096	SA90.V2-0096	GUIDE HOSE ROLLER	0445	SA90.V2-0445	SWIVEL SHAFT
0127	SA90.V2-0127	HOSE STOPPER d.12	0448	SA90.V2-0448	INLET HOSE 1mtr
0130	SA90.V2-0130	SCREW (5x12)	0450	SA90.V2-0450	MAIN SPRING ASS'Y
0198	SA90.V2-0198	ROLLER SUPPORT (COMPLETE)	0452	SA90.V2-0452	HALF DRUM
0253	SA90.V2-0253	SCREW (6x21)	0454	SA90.V2-0454	PLASTIC COVER
0297	SA90.V2-0297	SPRING FOR HOOK	0455	SA90.V2-0455	SPRING LINKAGE SHAFT
0299	SA90.V2-0299	PIN FOR HOOK	0456	SA90.V2-0456	SCREW (6x66)
0310	SA90.V2-0310	BRACKET	0465	SA90.V2-0465	HOSE 12mtr
0311	SA90.V2-0311	UPPER HALF-SUPPORT (NYLON)	0467	SA90.V2-0467	HALF-CASING (SPRING SIDE)
0312	SA90.V2-0312	LOWER HALF-SUPPORT (NYLON)	0468	SA90.V2-0468	HALF-CASING (SWIVEL JOINT SIDE)
0313	SA90.V2-0313	SCREW (5x16)	0471	SA90.V2-0471	SUPPORT FOR RATCHET HOOK
0316	SN12.S	STEEL NUT M12 ZINC DIN934(SINGLE)	0474	SA90.V2-0474	SCREW (6x20)
0331	SA90.V2-0331	RATCHET HOOK	0476	SA90.V2-0476	PLASTIC FITTING FOR SWIVEL JOINT
0333	MSP410.S	MACHINE SCREW PAN HEAD PHILLIPS M4x10mm	0493	SA90.V2-0493	NYLON PIN (8x77)
			MNSG10	SA90.V2-WB	WALL BRACKET ASS'Y

NOTE: It is our policy to continually improve products and as such we reserve the right to alter data, specifications and component parts without prior notice.

IMPORTANT: No liability is accepted for incorrect use of product.

WARRANTY: Guarantee is 12 months from purchase date, proof of which will be required for any claim.