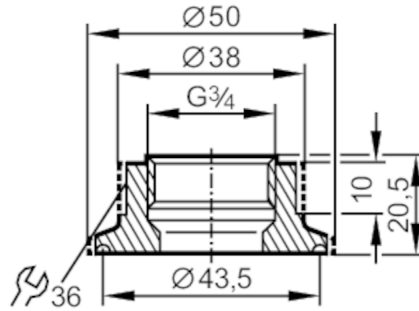


E33901



Process adapter Tri-Clamp

ADAPT G3/4-CLAMP ISO2852/1-1.5



| Application | |
|---------------------------------------------------|---------------------------------------------------------------------------------------------------------------|
| Pressure rating | [bar] 16 |
| Tests / approvals | |
| Pressure Equipment Directive | A possible classification to PED depends on the application and has to be carried out by the user / operator. |
| Safety instructions | The compatibility between medium and product material has to be checked in all applications. |
| Mechanical data | |
| Weight | [g] 165.5 |
| Materials | stainless steel (1.4404 / 316L) |
| Sensor connection | G 3/4 |
| Process connection | Clamp DN25...DN40 (1...1,5") DIN 32676 (ISO 2852) |
| Surface characteristics Ra/Rz of the wetted parts | 0.4 / 4 |
| Hygienic equipment class to DIN 11866 | H4 |
| Remarks | |
| Pack quantity | 1 pcs. |