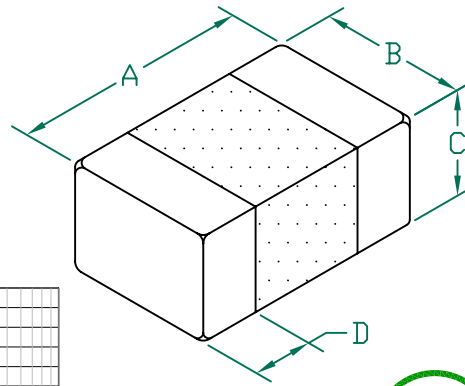


HI08050121R-10

UNCONTROLLED DOCUMENT

PHYSICAL DIMENSIONS:

A	2.00 [.079]	+ 0.20 [.008]
B	1.25 [.049]	+ 0.20 [.008]
C	0.90 [.035]	+ 0.20 [.008]
D	0.51 [.020]	+ 0.25 [.010]

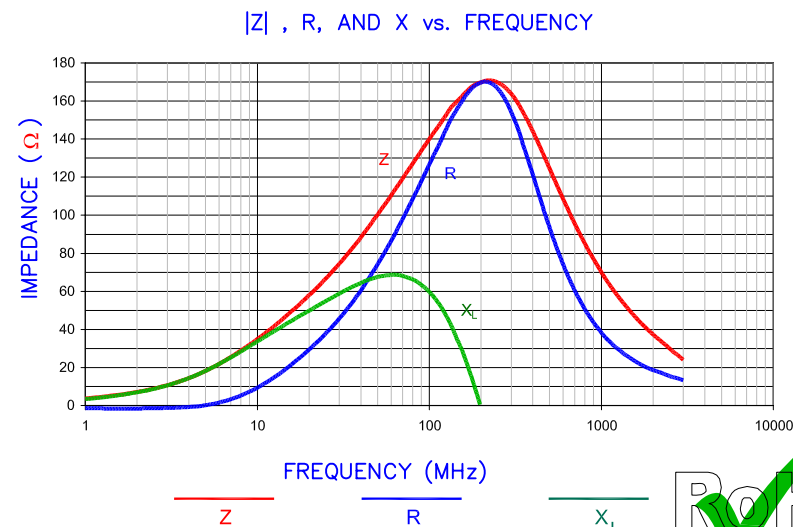
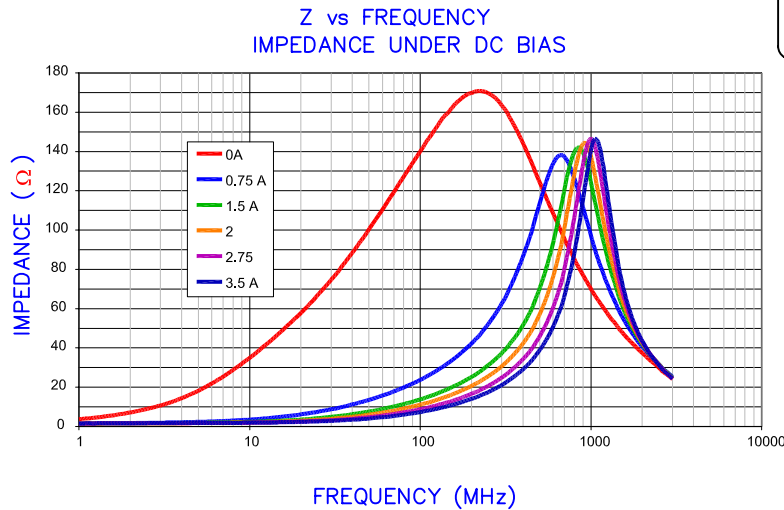


ELECTRICAL CHARACTERISTICS:

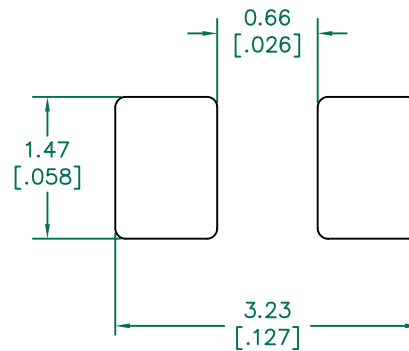
ELECTRICAL CHARACTERISTICS:			
Z @ 100MHz (Ω)	DCR (Ω)	Rated Current	
Nominal	120		
Minimum	90		
Maximum	150	0.020	3500 mA

NOTES: UNLESS OTHERWISE SPECIFIED

1. TAPED AND REELED per CURRENT EIA SPECIFICATIONS 7" REELS, 4000 PCS/REEL, PAPER TAPER.
2. COMPONENTS SHOULD BE ADEQUATELY PREHEATED BEFORE SOLDERING.
3. TERMINATION FINISH IS 100% TIN.

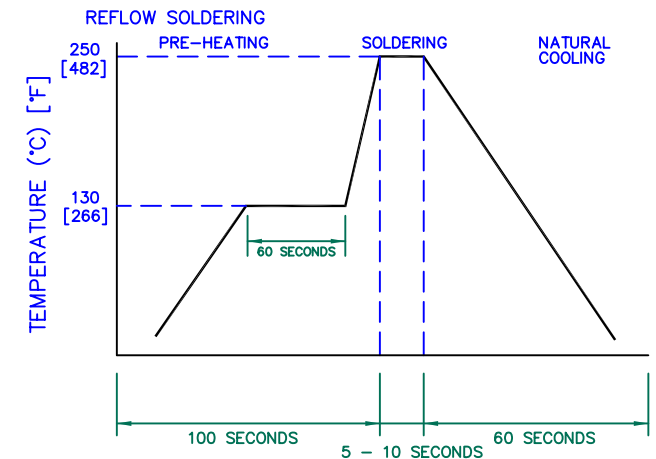


LAND PATTERNS FOR REFLOW SOLDERING



(For wave soldering, add 0.763 [.030] to this dimension.)

RECOMMENDED SOLDERING CONDITIONS



DIMENSIONS ARE IN mm [INCHES].				This print is the property of Laird Tech. and is loaned in confidence subject to return upon request and with the understanding that no copies shall be made without the written consent of Laird Tech. All rights to design or invention are reserved.		Laird TECHNOLOGIES	
E	CHANGE TO PAPER TAPE	03/04/10	JUN	PROJECT/PART NUMBER:	REV	PART TYPE:	DRAWN BY:
D	UPDATE COMPANY LOGO & ROHS SYMBOL	06/01/09	JRK	HI08050121R-10	E	CO-FIRE	JRK
C	UPDATE COMPANY LOGO	01/16/08	JRK	DATE:	SCALE:	NTS	SHEET:
B	UPDATE CURVES	03/29/06	JRK	08/23/04			
A	ORIGINAL DRAFT	08/23/04	JRK	CAD #	TOOL #		2 of 2
REV	DESCRIPTION	DATE	INT	HI08050121R-10-E			

