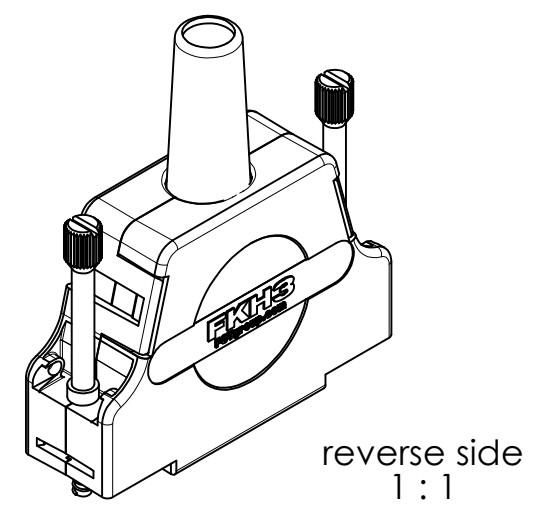
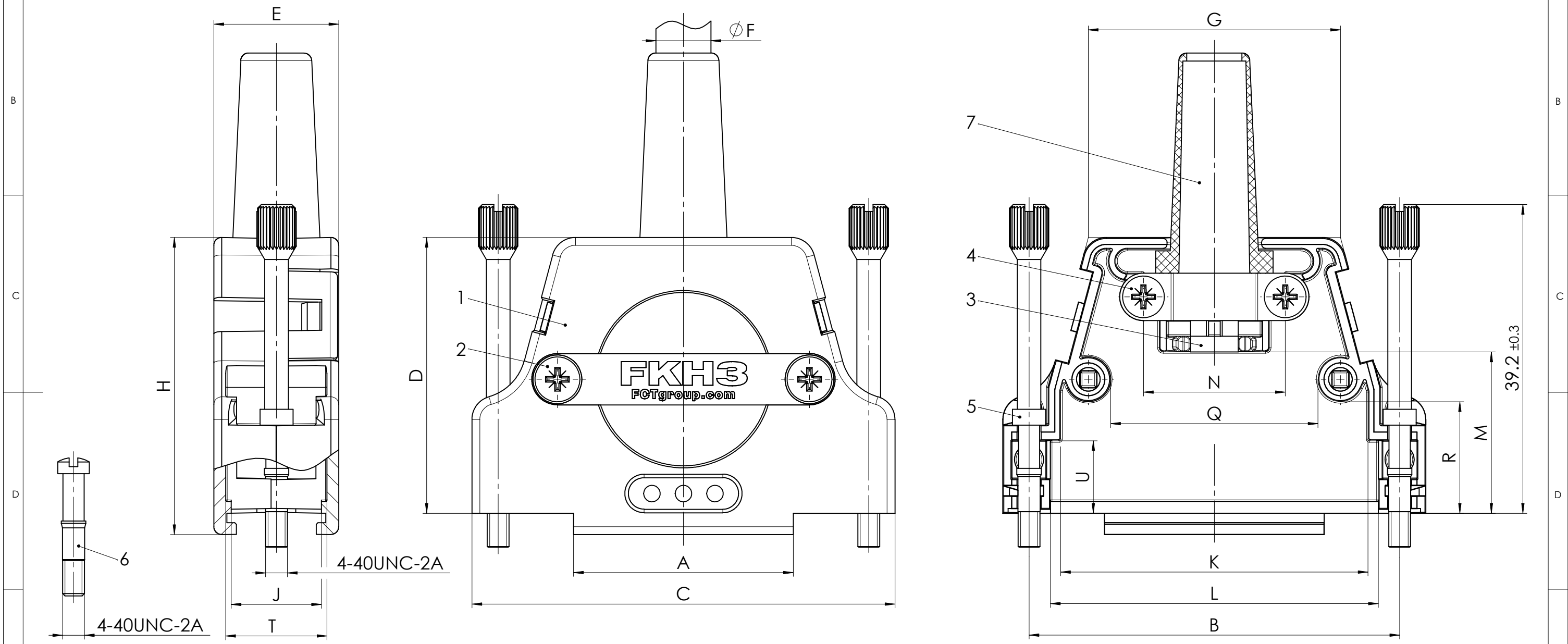


1	2	3					4					5					6					7					8				
Order-No.	Shell Size / for No. of Contacts	A ±0.3	B ±0.1	C ±0.3	D ±0.3	E ±0.3	∅F1 min - max	max I	∅F2 Rubber bushing	G ±0.3	H ±0.3	J ±0.3	K ±0.3	L ±0.3	M ±0.5	N ±0.3	Q ±0.3	R ±0.3	T ±0.3	U	∅F1 = Cable diameter without rubber bushing	∅F2 = Cable diameter with rubber bushing									
FKH1-5779	1 / 9	10	25	31.2	31.8	16	4.5 - 7	6.5	FKT1-2	20	35	11.5	17	19.6	16.5	12	7.3	15	13	9.6											
FKH2-5779	2 / 15	16.1	33.3	40	32	16	4.5 - 7	6.5	FKT1-2	21.8	34.7	11.4	25.5	27.8	16	12	12.8	13	13	9.2											
FKH3-5779	3 / 25	27.8	47	53.7	35	16	8 - 10.5	9	FKT3-4	32	37.7	11.4	39	41.6	20	18	25.6	14	13	9.2											
FKH4-5779	4 / 37	44.4	63.5	70.1	41	16	8 - 10.5	9	FKT3-4	50	43.7	11.5	55.6	58	26	18	45.3	19.1	-	9.3											
FKH5-5779	5 / 50	42	61.1	67.8	41	18.5	10.5 - 12	11.5	FKT5	48	43.7	14	53.4	55.7	26	18	42.4	19.1	-	9.2											

view of the hoods without lid



- 173111-0495 = FKH1-5779
- 173111-0496 = FKH2-5779
- 173111-0497 = FKH3-5779
- 173111-0498 = FKH4-5779
- 173111-0499 = FKH5-5779

RoHS compliant  
by exemption

- ② max. torque are 40 Ncm
- ③ FKH1-5779 Hood is not snapped together
- FKH2-5-5779 Hood is snapped together
- Part-No. 2 to 7 not mounted

No.	St.	Part	Type	Description/Material	Surface plating/Colour/Class
7	1	Rubber bushing	TPE		black
6	2	Locking screw	FVS1/5 4-40 / Brass		nickel plated
5	2	Knurled thumb screw	FRS1/5 4-40 / Brass		nickel plated
4	2	Cable clamp screw	Steel		zinc plated
3	1	Cable clamp	Steel		tin plated
2	2	Shell screw	Steel		zinc plated
1	1	Hood	FKH1-5 / PC+ABS		black

		Measurement without tolerance occ. to ISO 2768-m		SCALE	TITLE
		DRAWN		2:1	Plastic Hood
		CHECKED			
3	12-05-2017	23895	a molex company		DWG.NO.
2	21-01-2016	23817			FKH1-5-5779
1					REV. 3
REV.	DATE	CH.-NO.	ORIGINAL: DIN A3-DRAWING AS A FILE	REPLACEMENT FOR:	PAGES 1

COMMENT: ALL RIGHTS ARE RESERVED BY US FOR THIS DRAWING. WITHOUT OUR PRIOR CONSENT, IT MAY NEITHER BE DUPLICATED NOR MADE AVAILABLE TO A THIRD PARTY. AND IT ALSO MAY NOT BE IMPROPERLY USED BY THE RECEIVER, OR A THIRD PARTY.