

# EXTERNAL DESKTOP POWER SUPPLY 12VDC 48WATT

## POWERPAX: SW3126B

### Features:

- Universal Input
- IEC-320-C8 Input Connector
- 3 Year Warranty
- Efficiency Level VI
- Safety approved to: CE, TUV, C-Tick, CUL, UL



### Description:

Our Range of 48 Watt AC/DC switch mode power supplies provide 48 Watts of continuous output power in a high quality compact enclosure suitable for many general power applications.

| Specification                |  |
|------------------------------|--|
| Part Code                    | SW3126B  |
| Input Voltage Range          | 100 → 240 Vac  |
| Input Frequency Range        | 50 → 60Hz  |
| Input Connector              | IEC 320-C8   |
| Input Current Rated          | 1.2A max.  |
| Inrush Current               | No Damage  |
| Leakage Current              | 0.25mA.  |
| Efficiency                   | 87.77% Min   |
| Input Power(Output: No Load) | Max. 0.1W  |
| Output Voltage Rating        | +12V   |
| Output Current Range         | 4A   |
| Output Min Current           | 0.05A  |
| Output Connection Type       | 2.1 x 5.5 x 12 mm centre positive – Straight   |
| Line and Load Regulation     | LINE +/-5% LOAD +/-5%  |
| Over Voltage Protection      | The output voltage shall be clamped  |
| Over Load Protection         | The output voltage shall be clamped  |
| Short Circuit Protection     | The adapter shall not be damaged by short the DC output to Ground. The adapter shall resume normal operation when a short circuited fault condition is removed |
| Ripple Voltage               | 200 mVp-p  |
| Hi-Pot                       | 3000Vac, 10mA, 1 minute.   |
| Safety Approved              | CE, TUV, C-Tick, CUL, UL   |
| EMI Standard                 | FCC part 15: Class B,EN55022:2010,Class B,GB9254-2008, GB17625.1-2012  |
| Operating Temperature Range  | 0°C → +40 °C   |
| Storage Temperature          | -20°C → +80°C  |
| Operating Humidity           | 10% to 90%   |
| Storage Humidity             | 10% to 90%   |
| Dimensions                   | (L) 126 x (W) 52 x (H) 35.5 mm   |
| Product Weight               | 250g   |
| Regulator Type               | Switched Mode Power Supply   |

### General Note

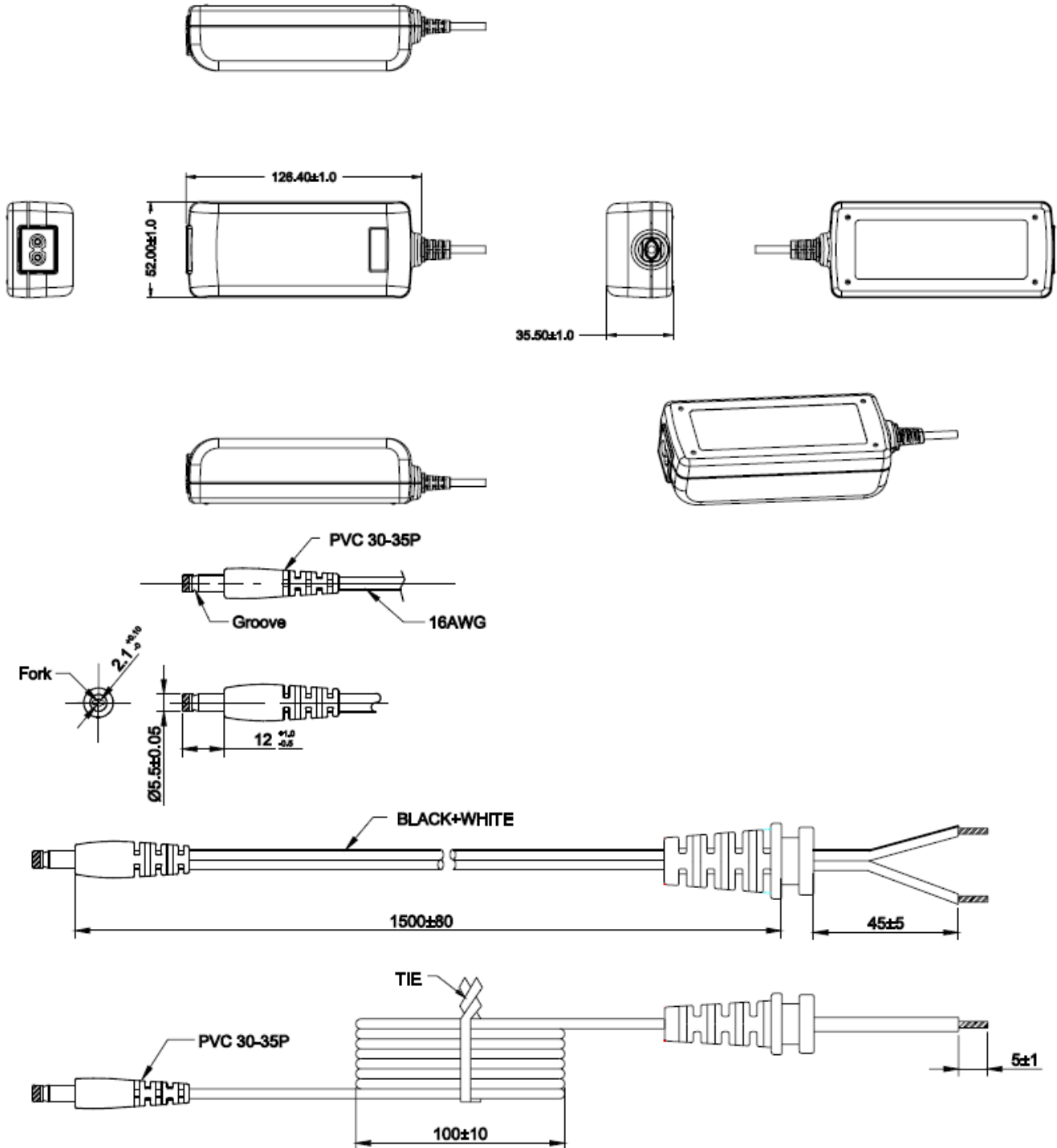
TT Electronics reserves the right to make changes in product specification without notice or liability. All information is subject to TT Electronics' own data and is considered accurate at time of going to print.

## POWERPAX

# EXTERNAL DESKTOP POWER SUPPLY 12VDC 48WATT

## POWERPAX: SW3126B

### Diagrams



#### General Note

TT Electronics reserves the right to make changes in product specification without notice or liability. All information is subject to TT Electronics' own data and is considered accurate at time of going to print.

### POWERPAX

TT Electronics IoT Solutions Ltd  
Tofts Farm East, Brenda Road, Hartlepool, TS25 2BQ, UK  
t: +44 (0) 1429 852 500