

Feet · DIN 6320 with threaded shank  
22640.0102



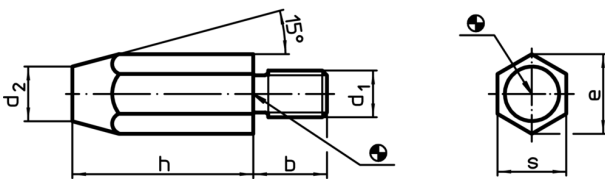
**Product Description**

Feet can be used both as a foot and as a seating element and stop.  
Bearing surface without distortion.

**Material**

- Heat-treated steel, unhardened, blackened

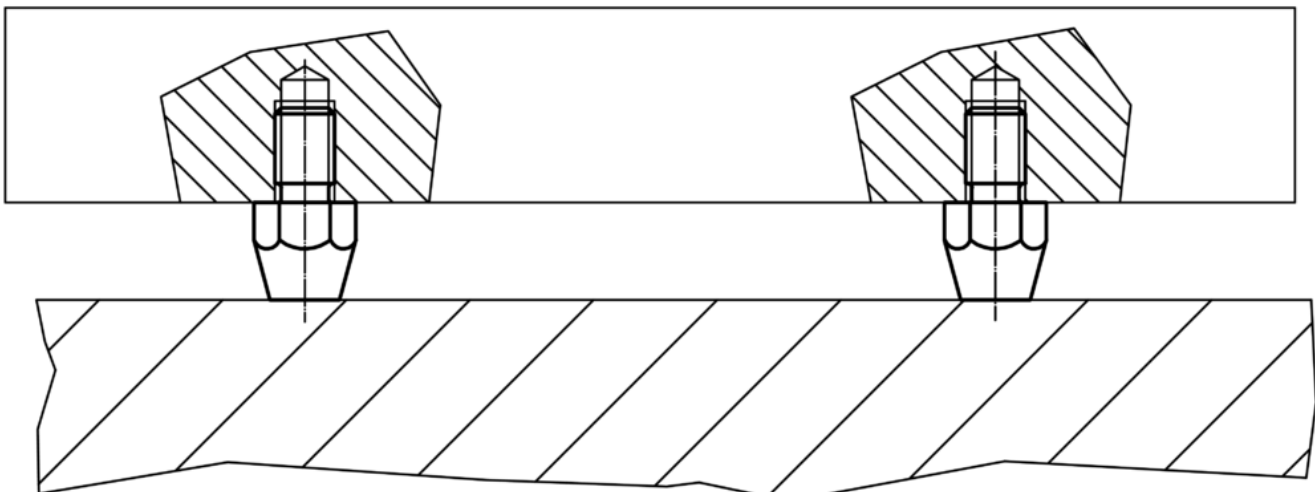
**Drawing**



**Order information**

Dimensions						Tightening torque max. [Nm]	g	Art. No.
h	d <sub>1</sub>	b	d <sub>2</sub>	e	s			
40	M10	16	13	19.6	17	32	80	22640.0102

**Application example**



## Compliance

### RoHS compliant

Contains lead - compliant according to exceptions 6a / 6b / 6c

### Contains SVHC substances >0,1% w/w

Contains lead - SVHC list [REACH] as of 10.06.2022

### Contains Proposition 65 substances



Lead can cause cancer and reproductive harm from exposure  
<https://www.P65Warnings.ca.gov/>

### Free from Conflict Minerals

This product does not contain any substances designated as "conflict minerals" such as tantalum, tin, gold or tungsten from the Democratic Republic of Congo or adjacent countries.