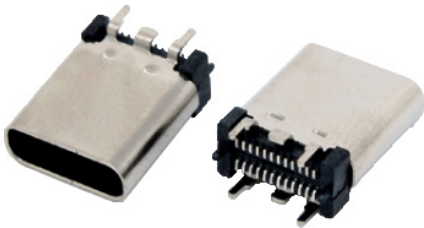


USB 3.1 Type C Receptacle Upright SMT



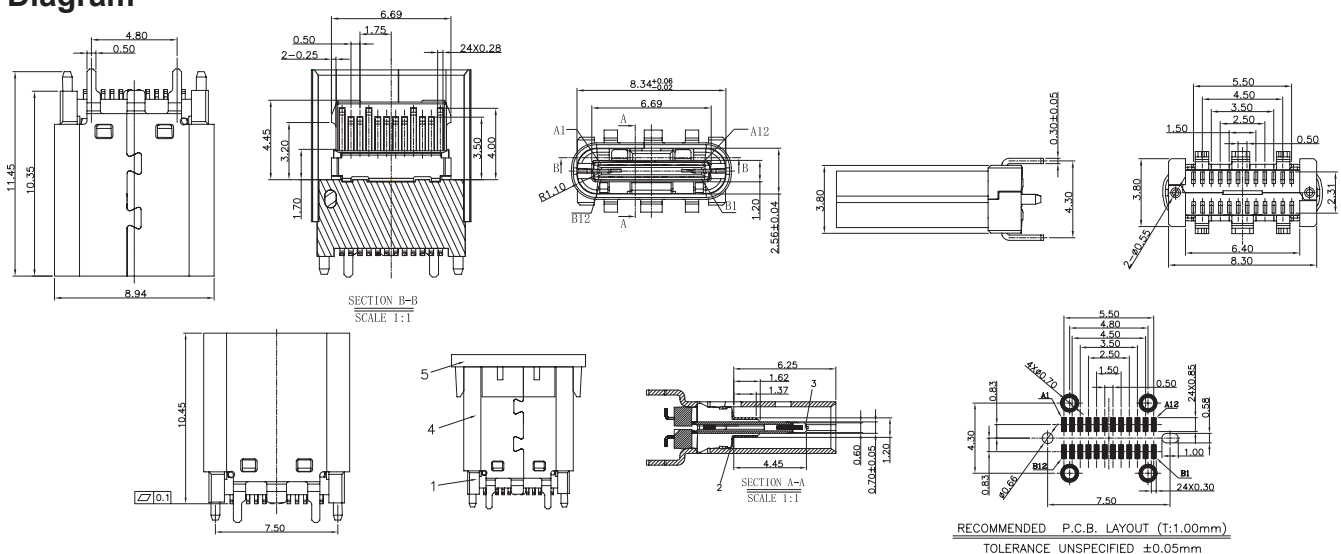
RoHS
Compliant



Specifications

USB Connector Type	: USB 3.1 Type C Receptacle
No. of Contacts	: 24
USB Connector Mounting	: Upright SMT
Current Rating	: 3A Max.
Dielectric Withstanding Voltage	: 100V AC
Temperature Range	: -30°C ~ 85°C
Contact Resistance	: 40mΩ Max.
Insulation Resistance	: 100MΩ Min.
Insertion Force	: 5N ~ 20N
Unmating Force	: 8N ~ 20N
Durability	: 10000 Cycles

Diagram



Material Specifications

No.	Parameter	Material	Plating	Thickness
1	Housing	High Temp Plastic	Black	
2	Spring	Stainless Steel	Nickel Plating	T = 0.1mm
3	Iron Housing	High Temp Plastic	Black	
4	Shell	Stainless Steel	Nickel Plating	T = 0.3mm
5	Cover	High Temp Plastic	Black	

Dimensions : Millimetres

www.element14.com
www.farnell.com
www.newark.com



USB 3.1 Type C Receptacle Upright SMT



This product range is available in Cut & Tape and Tape & Reel Options

Part Number Table

Description	Part Number
USB 3.1 Type C Receptacle, 24Pos, Upright SMT	MC002808

Important Notice : This data sheet and its contents (the "Information") belong to the members of the Premier Farnell group of companies (the "Group") or are licensed to it. No licence is granted for the use of it other than for information purposes in connection with the products to which it relates. No licence of any intellectual property rights is granted. The Information is subject to change without notice and replaces all data sheets previously supplied. The Information supplied is believed to be accurate but the Group assumes no responsibility for its accuracy or completeness, any error in or omission from it or for any use made of it. Users of this data sheet should check for themselves the Information and the suitability of the products for their purpose and not make any assumptions based on information included or omitted. Liability for loss or damage resulting from any reliance on the Information or use of it (including liability resulting from negligence or where the Group was aware of the possibility of such loss or damage arising) is excluded. This will not operate to limit or restrict the Group's liability for death or personal injury resulting from its negligence. Multicomp is the registered trademark of the Group. © Premier Farnell Limited 2016.

www.element14.com
www.farnell.com
www.newark.com

