

## Alpha 3A

2G/GPRS, 3G, ISM and WiFi Adhesive Mount Antenna

### Key Features

- Compact size
- 2.62 dBi peak gain
- Mounts on any non metallic surface
- Quad band 2G, 3G and WiFi
- ISM: 868 and 915MHz



### General Description

The Alpha 3A multi band antenna is based on an efficiently tuned PCB element that is matched with a wide variety of RF & M2M modules, operating on quad band 2G, 3G, ISM and WiFi frequencies. It is designed as a ready to go antenna which fits most telemetry products.

Already proven in many applications where space is at a premium, this product is ideal as it is ground plane independent and compact, making it a popular choice where the user does not want to draw attention to having telemetry equipment on board.

Alternative cable lengths or connector types can be specified for volume orders.

### Additional Considerations

- Mounts discretely in installation, good for covert use
- Operates on all quad band GSM and 3G cellular networks
- ISM and WiFi capable
- Meets all EU compliance criteria for electronic goods
- Intended for internal use

## Alpha 3A

2G/GPRS, 3G, ISM and WiFi Adhesive Mount Antenna

### Electrical Specifications

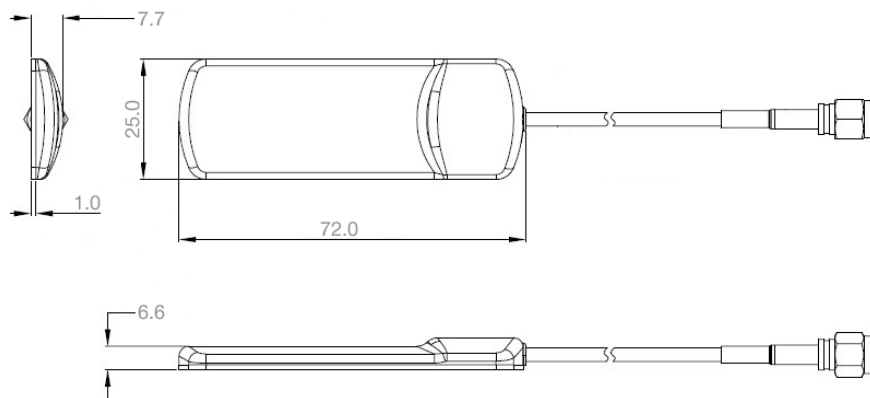
Temperature Range:	-40 - +85°C
Impedance:	50 Ohm
VSWR:	<2.0
Gain:	2dBi
Frequency Range:	824-894/1710-2170/ 2400-2500MHz
Polarization:	Linear

### Mechanical Specifications

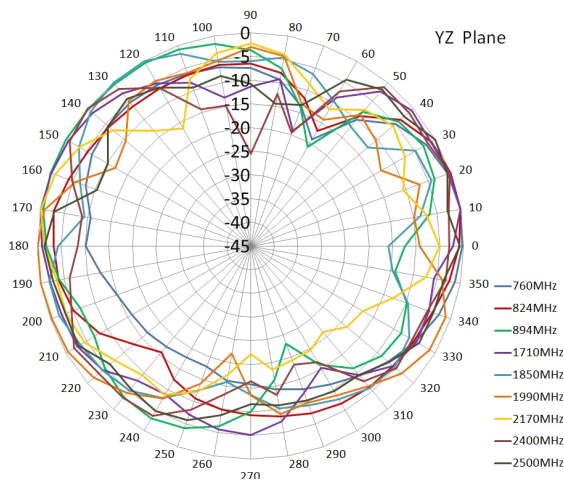
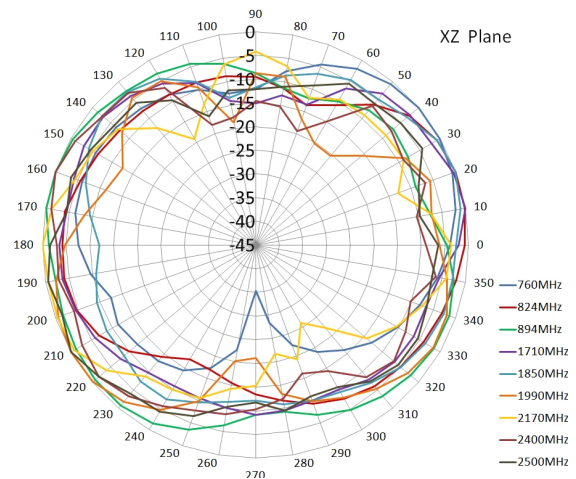
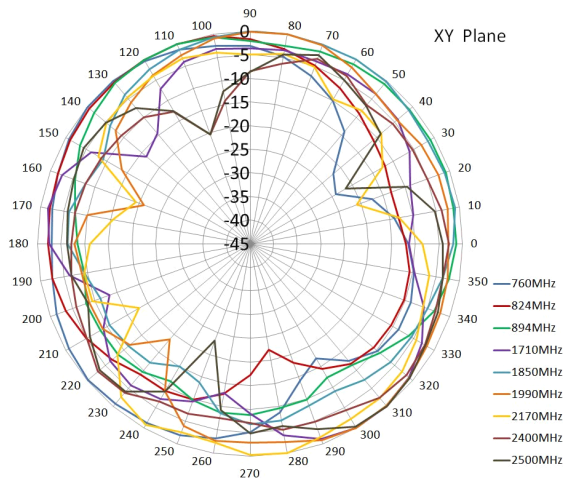
Dimensions:	L72 x W25 x H7.7mm
Cable:	RG174
Connector:	SMA Male / FME Female
Radome Material:	ABS
Mounting Method:	Adhesive

### Key Specifications - Electrical

Operating Temperature:	-40 - +85°C
Relative Humidity:	Up to 95%



## Radiation Patterns



## Ordering Details

Part Number	Description
ALPHA3A/3M/SMAM/S/S/26	2G / GPRS, 3G, ISM & WiFi Blade Antenna
ALPHA3A/0.4M/FMEF/S/S/26	2G / GPRS, 3G, ISM & WiFi Blade Antenna