

SPEEDY RJ45 Category 6 high performance plugs



Category 6 high performance plugs, unshielded (PXSPDY6c)

Our **SPEEDY** RJ45 plugs are designed to simplify twisted pair terminations by allowing the wire pairs to be easily inserted through the offset openings and out of the front. This allows the installer to easily check the wiring order before crimping the connector. Twist is maintained more easily enabling a better performing crimp.

Features

- Contacts and openings are offset so as to maintain signal separation and achieve optimum “patch cord standard” Category 6 performance
- Each plug allows twisted pair wires to be inserted through the offset pins and pulled out of the front to ensure the correct wiring order before crimping
- By pulling the cores into the plug, twists can easily be maintained up to the contacts, enabling fully rated category performance
- Contact blades are suitable for stranded or solid wire cores from 23-26 AWG (0.57 – 0.40mm), with insulation up to 1.05mm O.D.
- Perfect solution for rapid termination
- Suitable for termination of solid or stranded UTP cables with sheath O.D. of 6.5 – 7.0mm
- Faults and failures minimised
- Simple one piece design

- Less cable scrap and wastage
- **N.B. Must be used with suitable crimp tools (e.g. our code TRCSPDY3)**

Specifications

- Housing material: Polycarbonate UL94-V0
- Contacts: Phosphor copper plated with 1.27 μ m/50 μ " thick hard gold over nickel underplate on contact area
- Housing colour: transparent

Packaging

Supplied in polybags of 10 then 100 then 500

PXSPDY6c#10

PXSPDY6c#100

PXSPDY6c#500

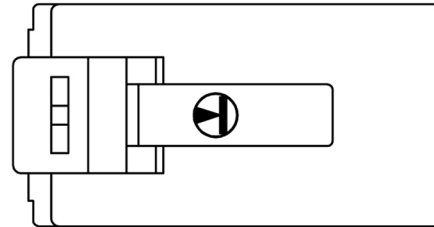
EAN number: 5055386506894

(Illustration of offset contacts)



ROHS Compliant

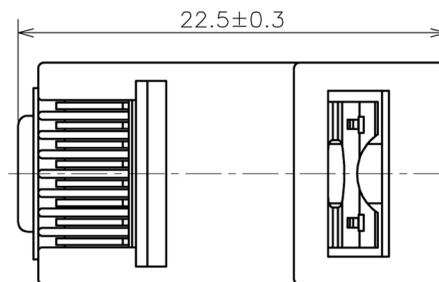
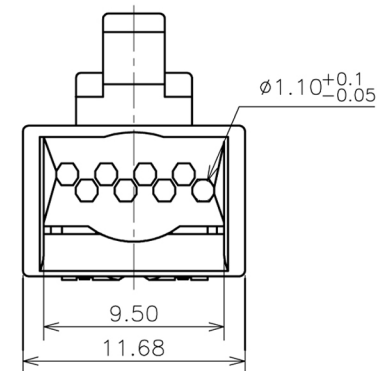
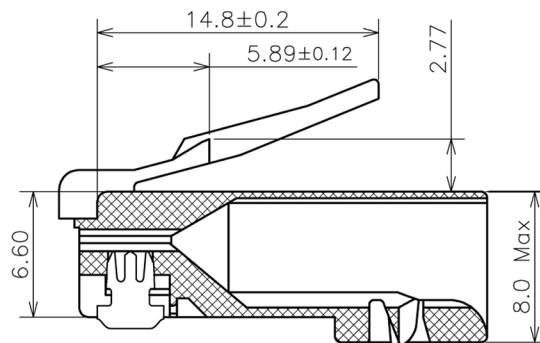
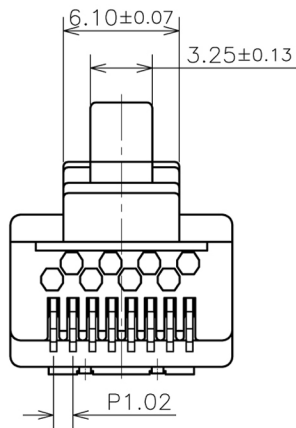
Code: P6SPDY6c



Material:

Housing: PC resin, UL94-V0, transparent

Contacts: Phosphor copper plated with 50µ"/1.27µm thick hard gold over nickel underplate on contact area



DIMENSIONAL TOLERANCE

X . X	±0.20
X . XX	±0.10
X . XXX	±0.05
ANGLE	±2°

THIRD ANGLE PROJECTION

