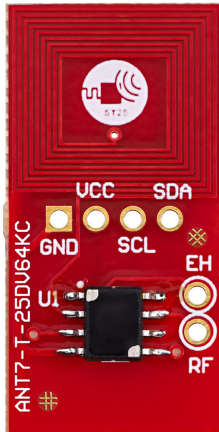


## 14 mm x 14 mm antenna reference board for the ST25DV64KC dual interface EEPROM



### Features

- Ready to use printed circuit board including:
  - ST25DV64KC dual interface EEPROM
  - 14 mm x 14 mm, 13.56 MHz dual layer etched antenna
  - I<sup>2</sup>C test points
  - RF event configurable general purpose output (GPO)
  - Analog energy harvesting (EH) output

### Description

The **ANT7-T-25DV64KC** antenna reference board is a ready to use PCB that features an **ST25DV64KC** connected to a 14 mm x 14 mm, 13.56 MHz etched RF double layer antenna on one side, and to an I<sup>2</sup>C bus on the other side.

This evaluation board allows system designers to evaluate the ST25DV64KC performance and capabilities, and to get started with their design.

To demonstrate the energy harvesting function the ANT7-T-25DV64KC can be used in conjunction with the ST DEMO-CR95HF-A board.

The board design and the Gerber files can be downloaded from [www.st.com](http://www.st.com).

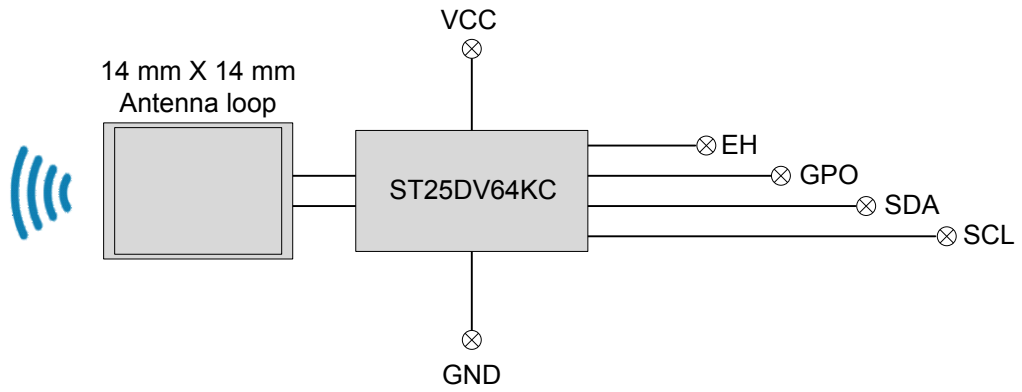
If externally powered, supply has to be safety extra-low voltage (SELV) according to EN60950-1 (< 5 V, < 15 W). The power supply is classified ES1 (electrical energy source class 1), PS1 (electrical power source class 1) according to EN62368-1.

Product status link

[ANT7-T-25DV64KC](#)

# 1 Block diagram

Figure 1. Functional block diagram



## Revision history

**Table 1. Document revision history**

Date	Version	Changes
07-Jul-2021	1	Initial release.
02-Feb-2022	2	Updated cover image.

## Contents

<b>1</b>	<b>Block diagram</b> .....	<b>2</b>
	<b>Revision history</b> .....	<b>3</b>
	<b>Contents</b> .....	<b>4</b>
	<b>List of tables</b> .....	<b>5</b>
	<b>List of figures</b> .....	<b>6</b>



## List of tables

**Table 1.** Document revision history . . . . . 3

## List of figures

Figure 1. Functional block diagram . . . . . 2

**IMPORTANT NOTICE – PLEASE READ CAREFULLY**

STMicroelectronics NV and its subsidiaries (“ST”) reserve the right to make changes, corrections, enhancements, modifications, and improvements to ST products and/or to this document at any time without notice. Purchasers should obtain the latest relevant information on ST products before placing orders. ST products are sold pursuant to ST’s terms and conditions of sale in place at the time of order acknowledgement.

Purchasers are solely responsible for the choice, selection, and use of ST products and ST assumes no liability for application assistance or the design of Purchasers’ products.

No license, express or implied, to any intellectual property right is granted by ST herein.

Resale of ST products with provisions different from the information set forth herein shall void any warranty granted by ST for such product.

ST and the ST logo are trademarks of ST. For additional information about ST trademarks, please refer to [www.st.com/trademarks](http://www.st.com/trademarks). All other product or service names are the property of their respective owners.

Information in this document supersedes and replaces information previously supplied in any prior versions of this document.

© 2022 STMicroelectronics – All rights reserved