

Sealed Enclosures with Flanges

90 x 35 x 35mm

multicomp PRO

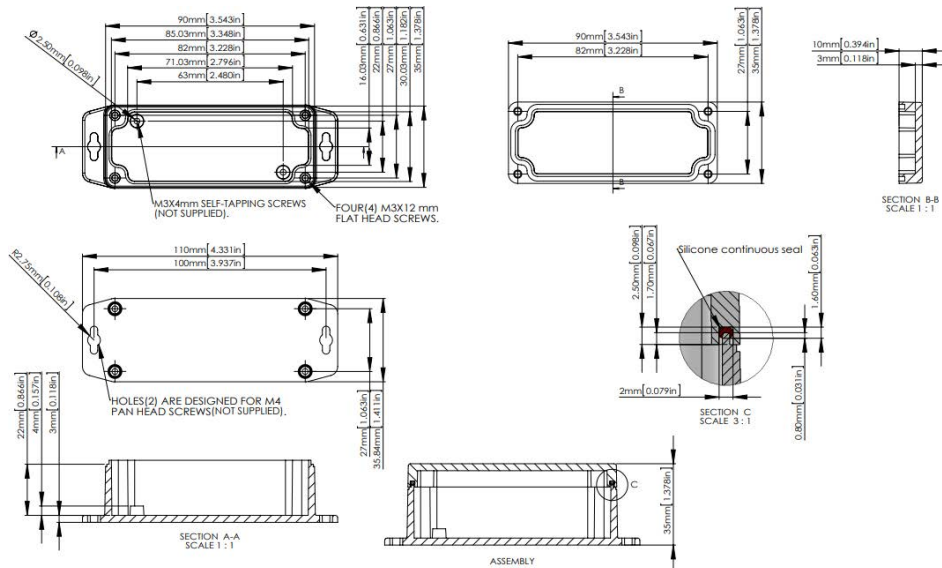
**RoHS
Compliant**

Description

Sealed enclosure dark/light gray color with flanges for wall mounting or mounting on a place of installation, production is made of ABS plastic/polycarbonate. Provides protection against dust and moisture according to the standard IP68.

Specifications

Dimensions	: 90mm × 35mm × 35mm
Material	: High impact ABS plastic/Polycarbonate
Color	: Dark gray/Light gray
Waterproof	: Yes
Ingress Protection Rating	: IP68



Dimensions : Millimetres

Part Number Table

Description	Part Number
Sealed Enclosure, ABS, Dark Gray, 90 x 35 x 35mm, IP68 with Flange	MP009923
Sealed Enclosure, PC, Light Gray, 90 x 35 x 35mm, IP68 with Flange	MP009903
Sealed Enclosure, PC, Light Gray, 90 x 35 x 35mm, IP68 with Clear Lid, Flange	MP009913

Important Notice : This data sheet and its contents (the "Information") belong to the members of the AVNET group of companies (the "Group") or are licensed to it. No licence is granted for the use of it other than for information purposes in connection with the products to which it relates. No licence of any intellectual property rights is granted. The Information is subject to change without notice and replaces all data sheets previously supplied. The Information supplied is believed to be accurate but the Group assumes no responsibility for its accuracy or completeness, any error in or omission from it or for any use made of it. Users of this data sheet should check for themselves the Information and the suitability of the products for their purpose and not make any assumptions based on information included or omitted. Liability for loss or damage resulting from any reliance on the Information or use of it (including liability resulting from negligence or where the Group was aware of the possibility of such loss or damage arising) is excluded. This will not operate to limit or restrict the Group's liability for death or personal injury resulting from its negligence. Multicomp Pro is the registered trademark of Premier Farnell Limited 2019.

Newark.com/multicomp-pro
Farnell.com/multicomp-pro
sg.element14.com/b/multicomp-pro

multicomp PRO